

# ELECTRICAL COMPONENTS LOCATION

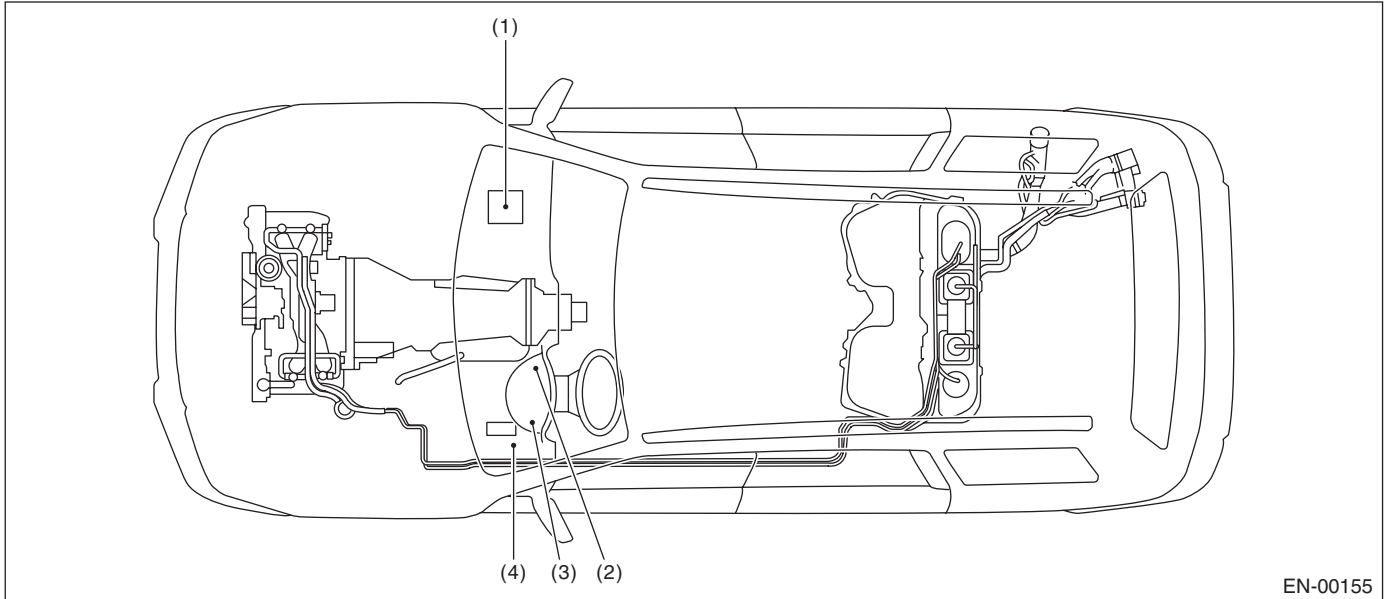
ENGINE (DIAGNOSTICS)

## 4. Electrical Components Location

### A: LOCATION

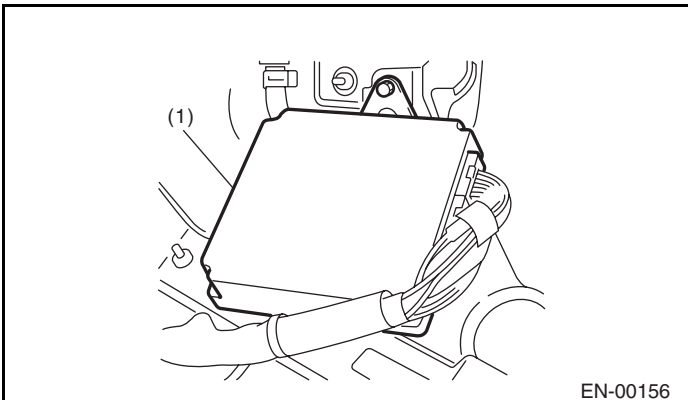
#### 1. ENGINE

##### • MODULE

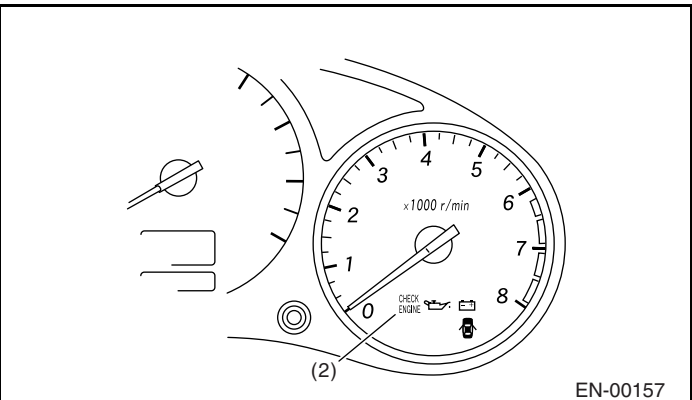


EN-00155

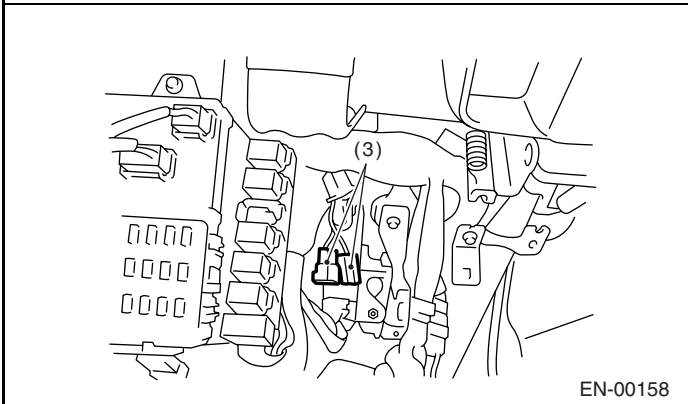
- (1) Engine control module (ECM)      (3) Test mode connector      (4) Data link connector  
(2) Malfunction indicator light



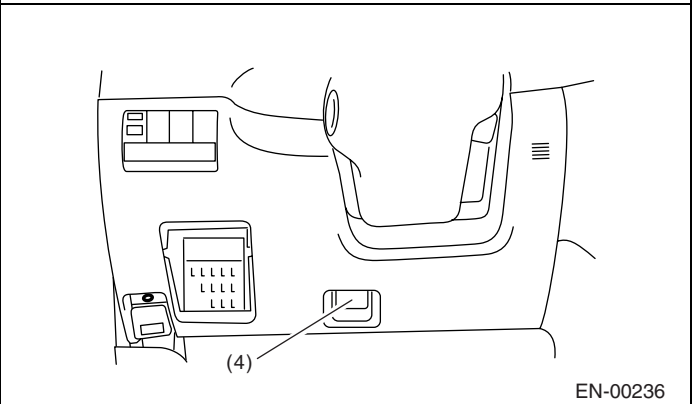
EN-00156



EN-00157



EN-00158

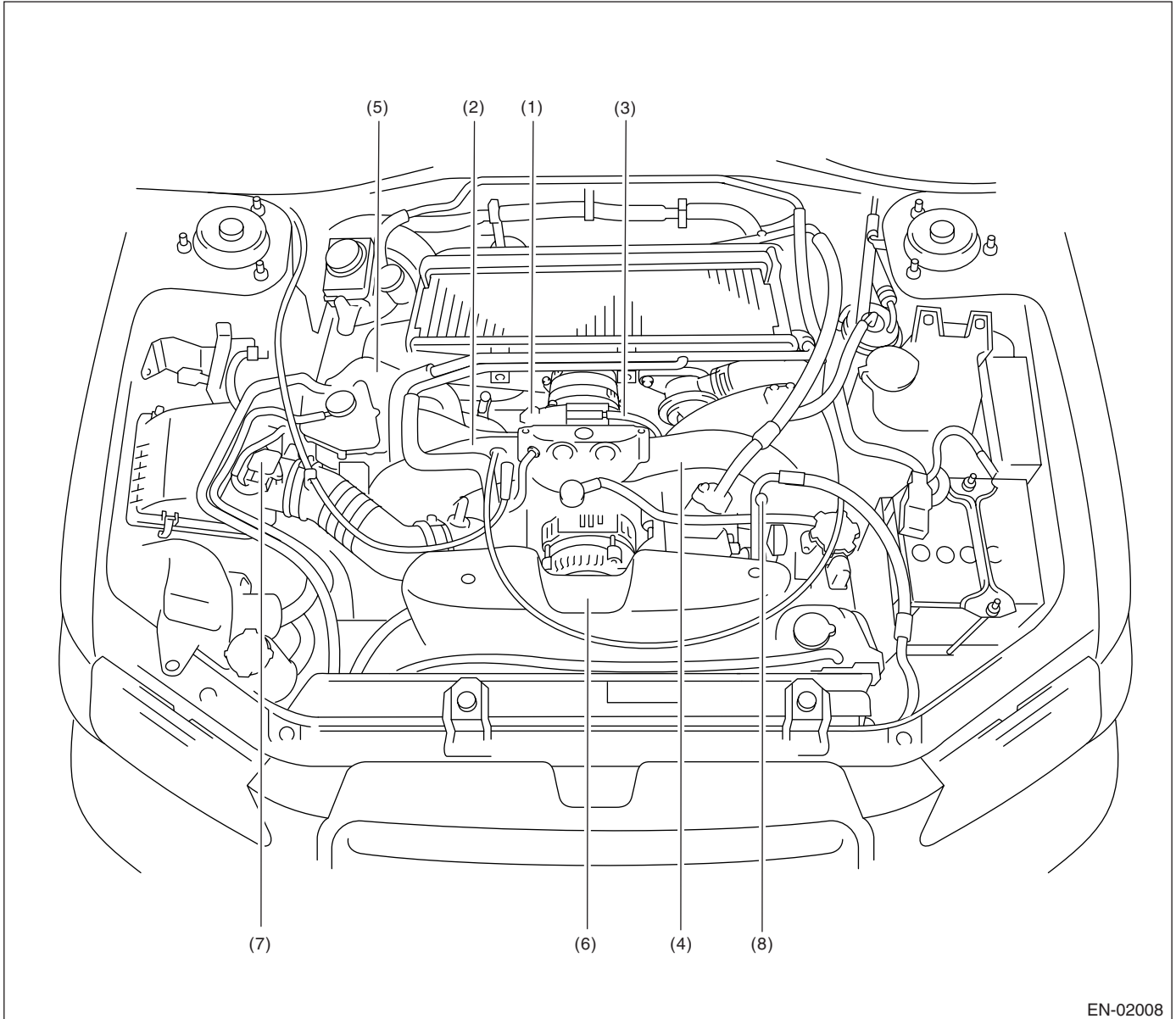


EN-00236

# ELECTRICAL COMPONENTS LOCATION

ENGINE (DIAGNOSTICS)

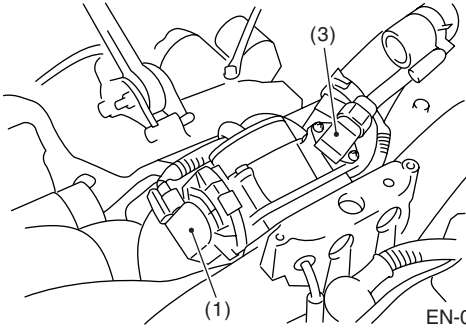
## • SENSOR



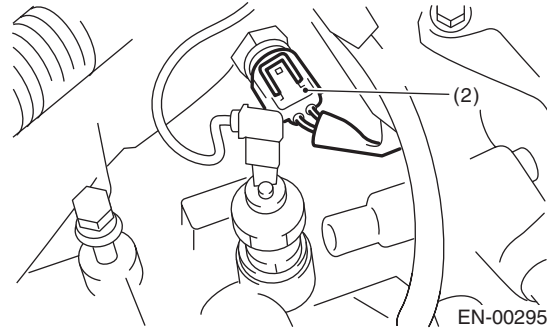
- |                                       |                                |   |
|---------------------------------------|--------------------------------|---|
| (1) Manifold absolute pressure sensor | (4) Knock sensor               | (7) Mass air flow and intake air temperature sensor |
| (2) Engine coolant temperature sensor | (5) Camshaft position sensor   | (8) Tumble generator valve position sensor          |
| (3) Electric throttle                 | (6) Crankshaft position sensor |   |

# ELECTRICAL COMPONENTS LOCATION

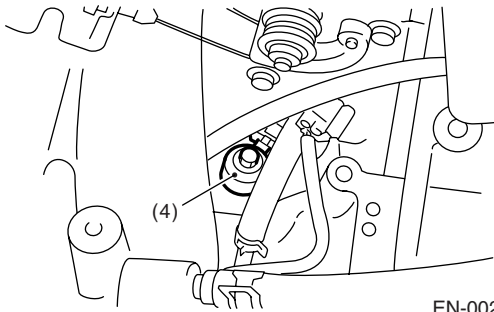
## ENGINE (DIAGNOSTICS)



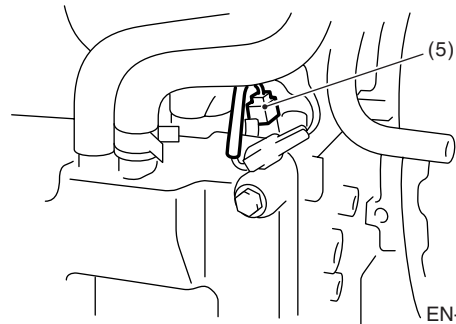
EN-02009



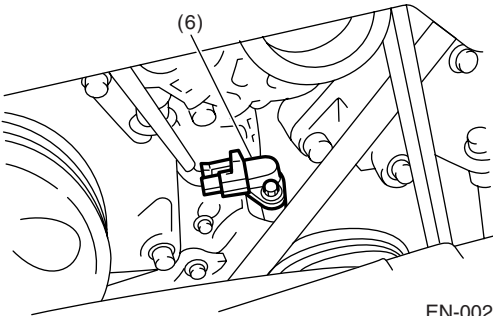
EN-00295



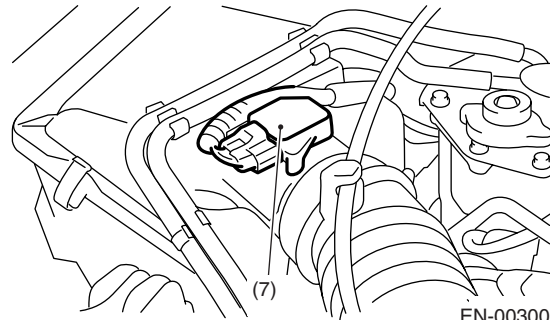
EN-00297



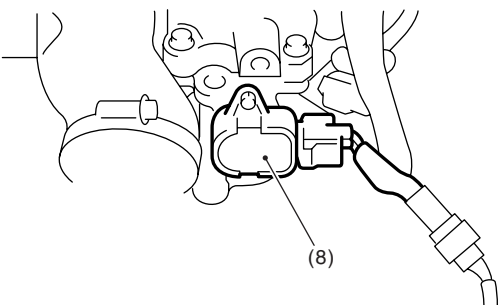
EN-01798



EN-00299



EN-00300

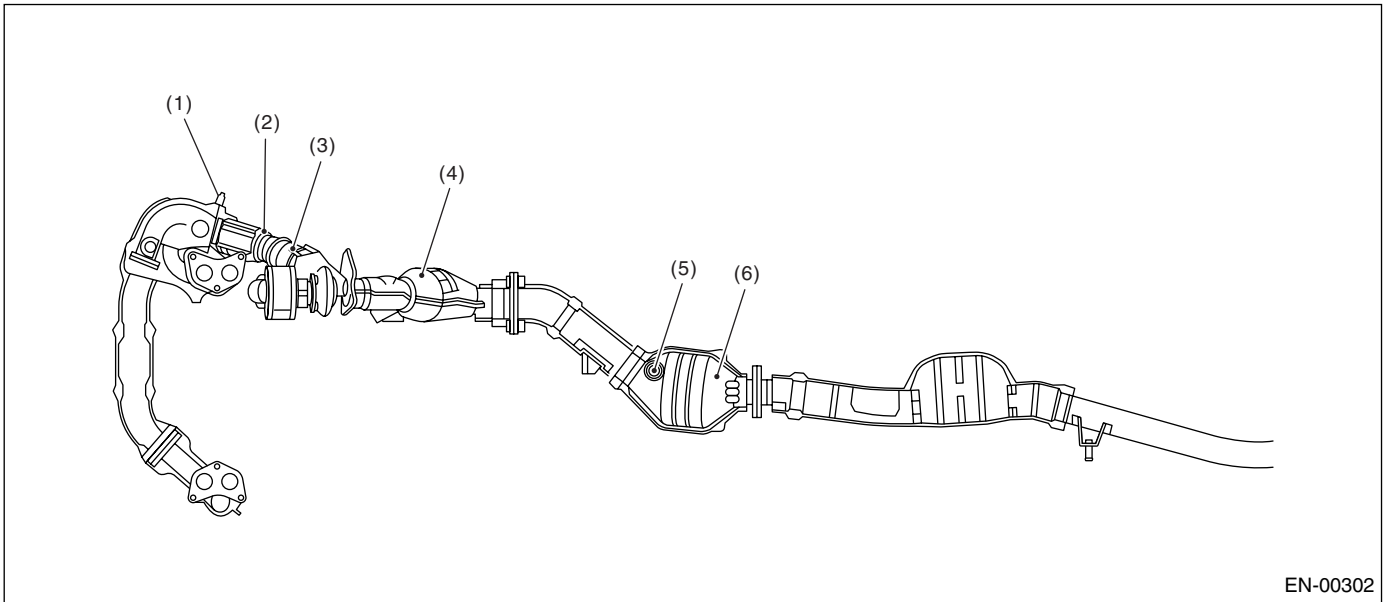


EN-00301

**SUBARU.**

# ELECTRICAL COMPONENTS LOCATION

ENGINE (DIAGNOSTICS)



EN-00302

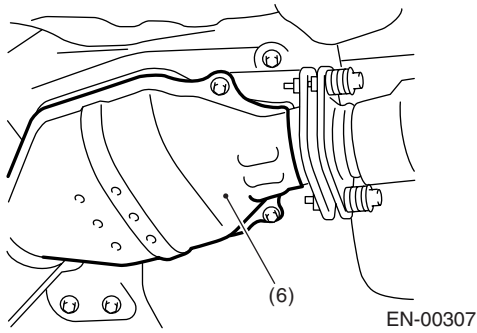
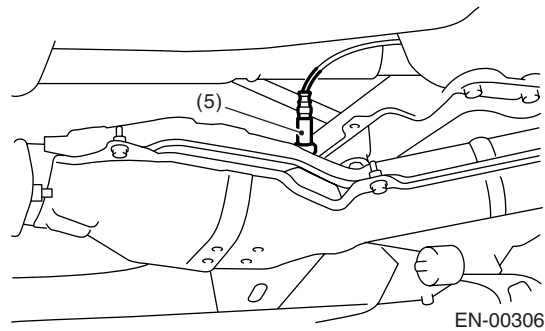
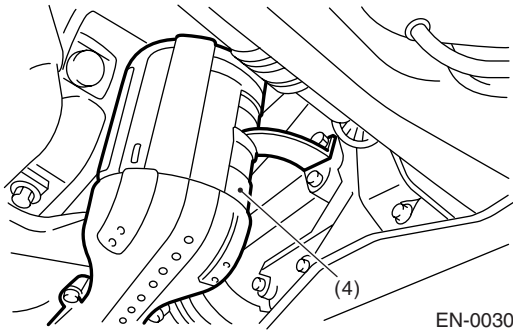
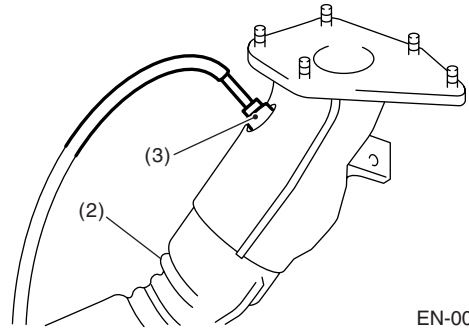
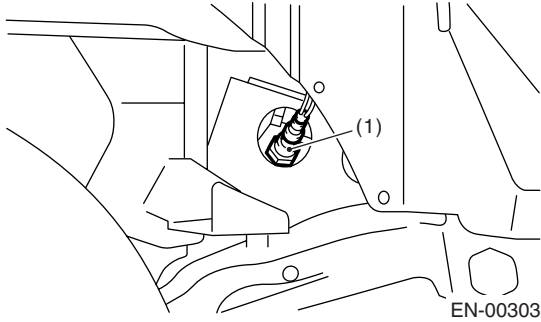
(1) Front oxygen (A/F) sensor  
(2) Precatalytic converter

(3) Exhaust temperature sensor  
(4) Front catalytic converter

(5) Rear oxygen sensor  
(6) Rear catalytic converter

# ELECTRICAL COMPONENTS LOCATION

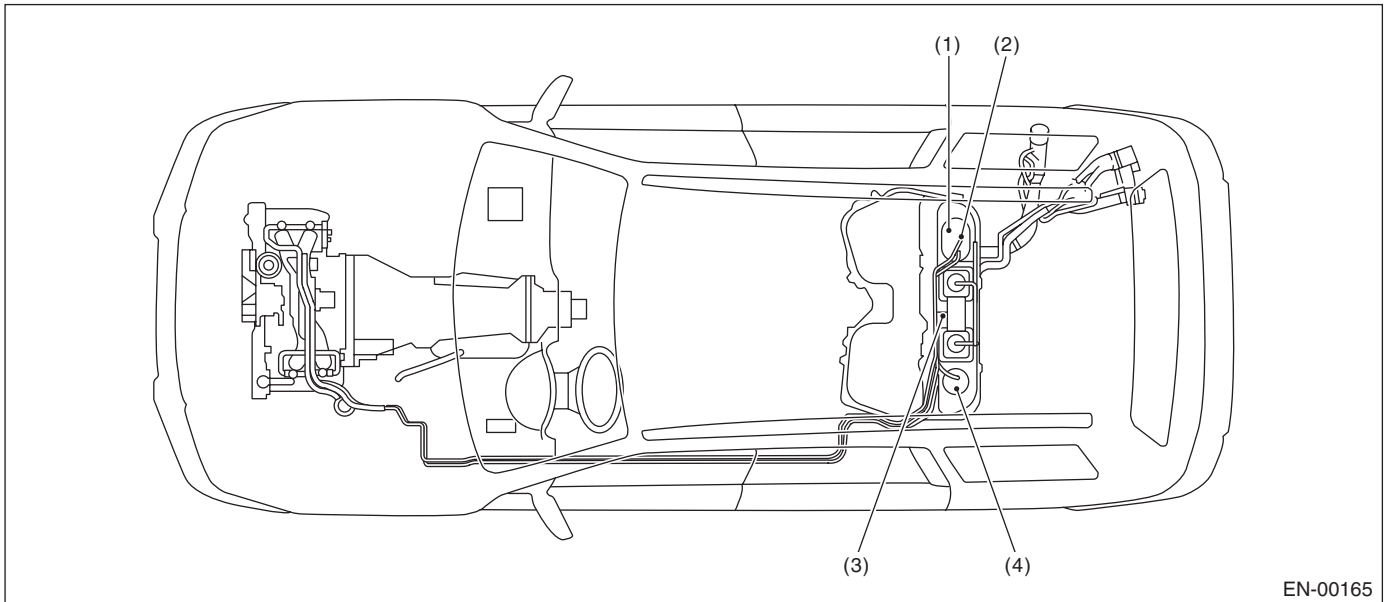
## ENGINE (DIAGNOSTICS)



SUBARU.

# ELECTRICAL COMPONENTS LOCATION

ENGINE (DIAGNOSTICS)



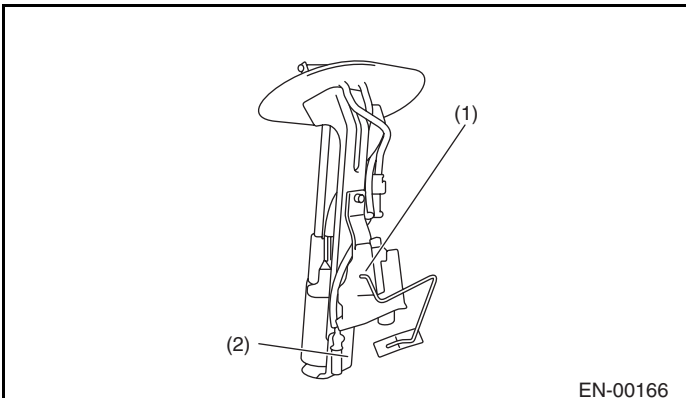
EN-00165

(1) Fuel level sensor

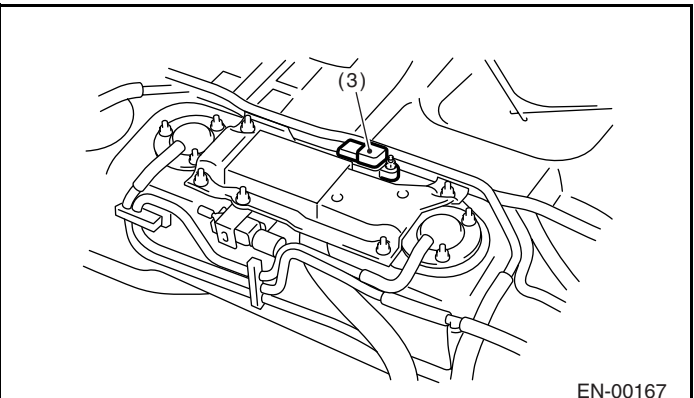
(3) Fuel tank pressure sensor

(4) Fuel sub level sensor

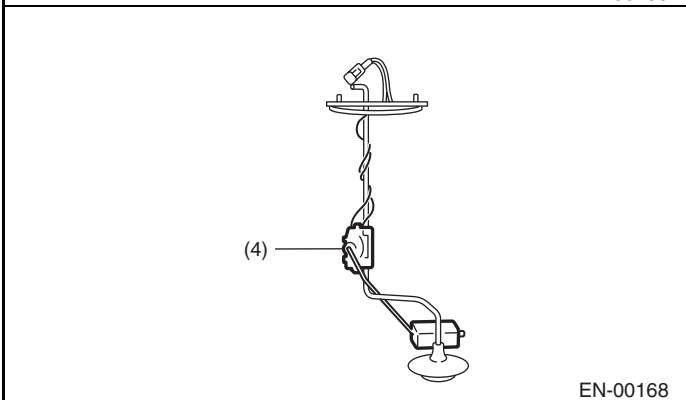
(2) Fuel temperature sensor



EN-00166



EN-00167



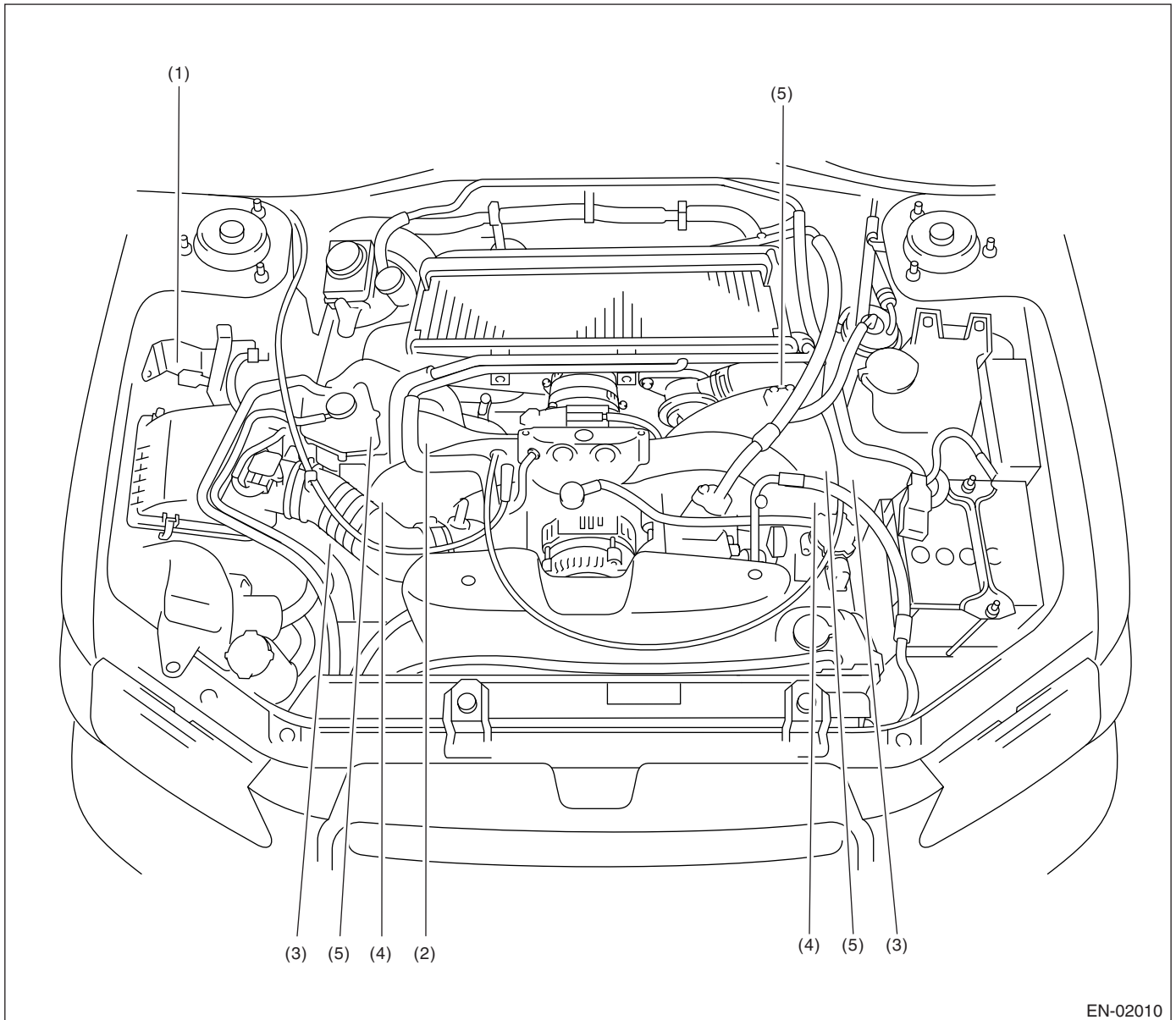
EN-00168

**SUBARU.**

# ELECTRICAL COMPONENTS LOCATION

## ENGINE (DIAGNOSTICS)

### • SOLENOID VALVE, ACTUATOR, EMISSION CONTROL SYSTEM PARTS AND IGNITION SYSTEM PARTS



EN-02010

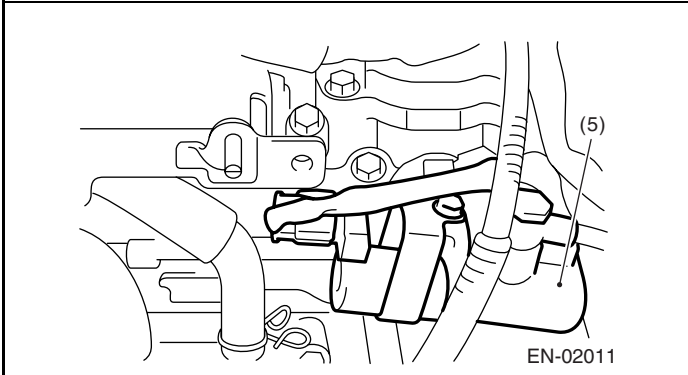
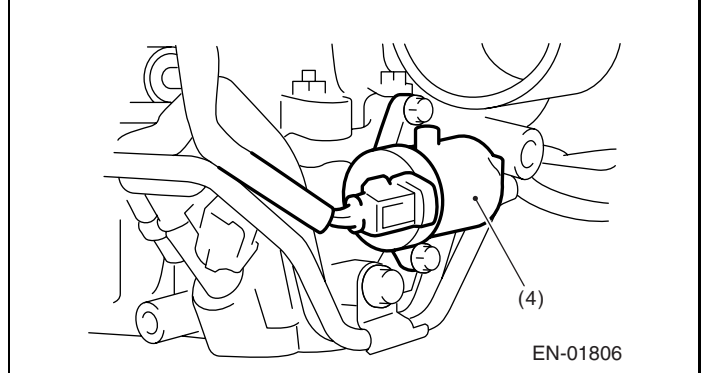
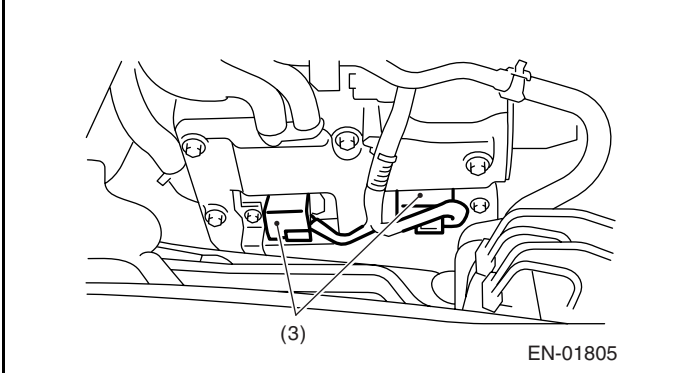
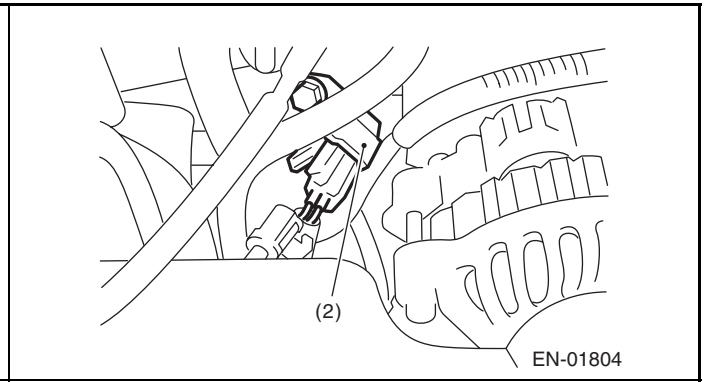
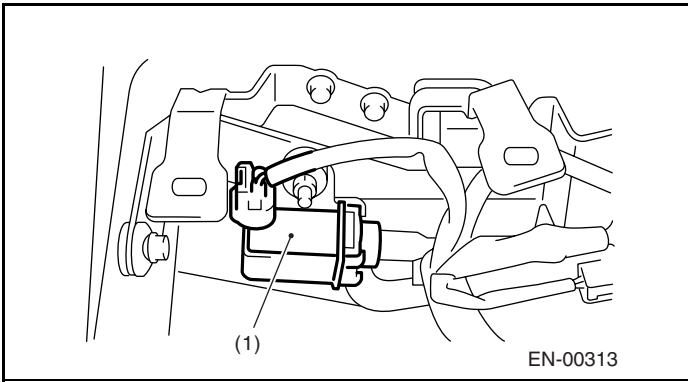
(1) Wastegate control solenoid valve  
(2) Purge control solenoid valve

(3) Ignition coil  
(4) Tumble generator valve actuator

(5) Oil flow control solenoid valve

# ELECTRICAL COMPONENTS LOCATION

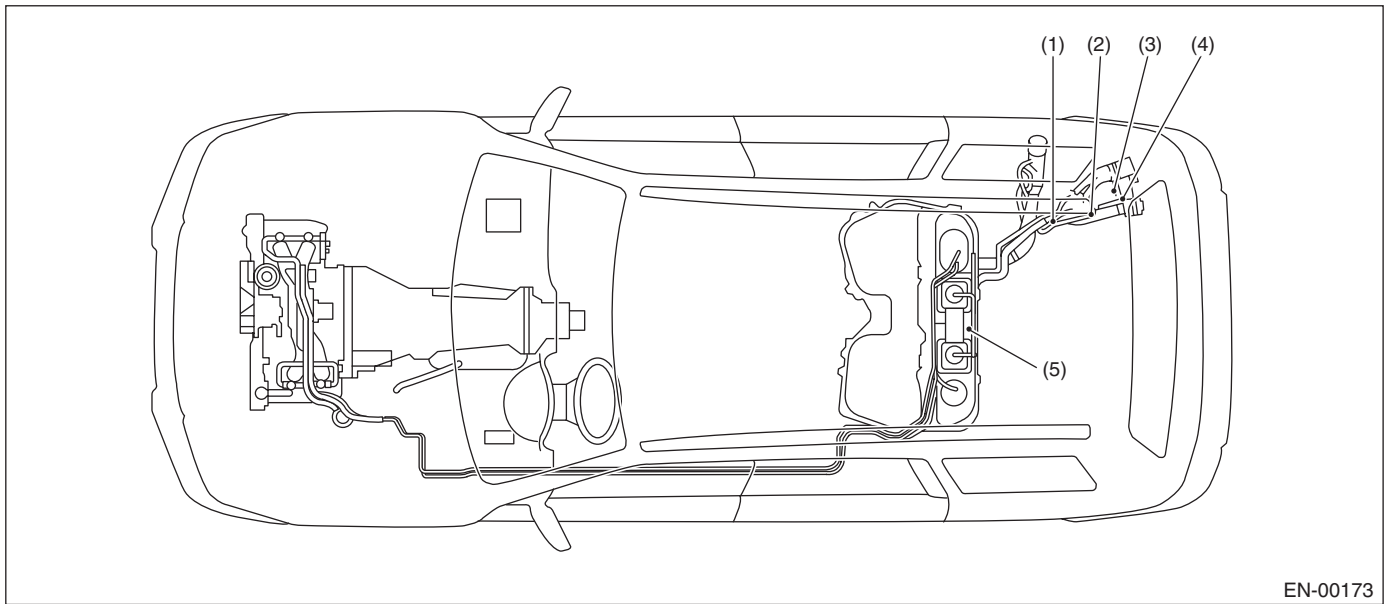
ENGINE (DIAGNOSTICS)





# ELECTRICAL COMPONENTS LOCATION

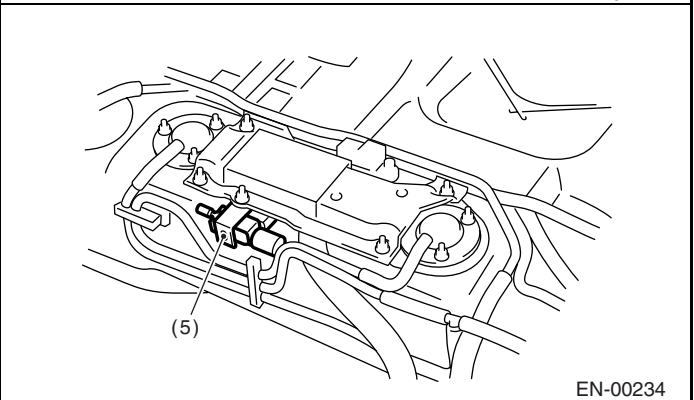
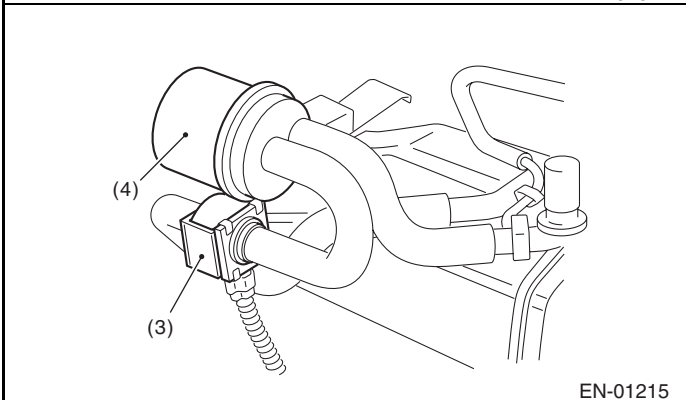
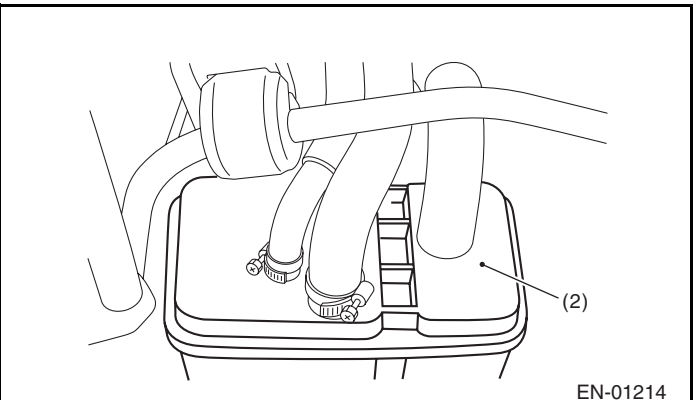
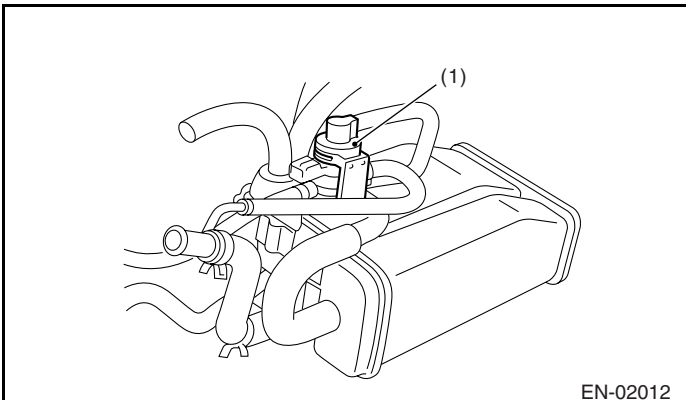
## ENGINE (DIAGNOSTICS)



(1) Pressure control solenoid valve  
(2) Canister

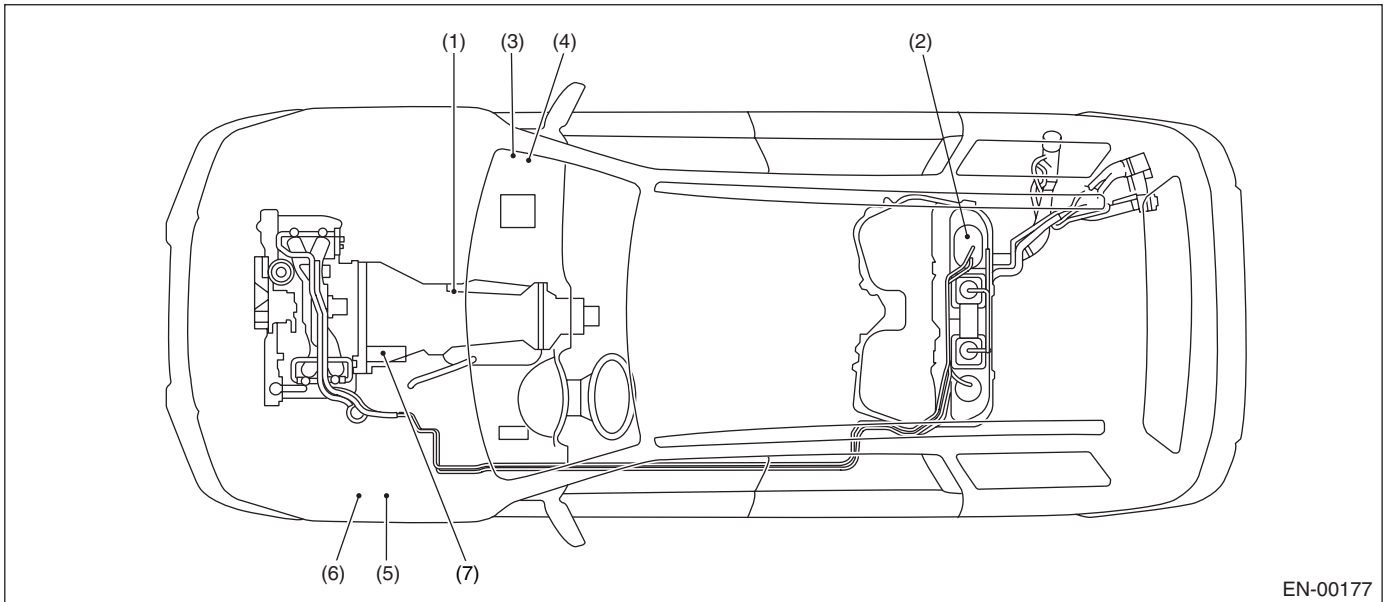
(3) Drain valve  
(4) Drain filter

(5) Fuel tank sensor control valve



# ELECTRICAL COMPONENTS LOCATION

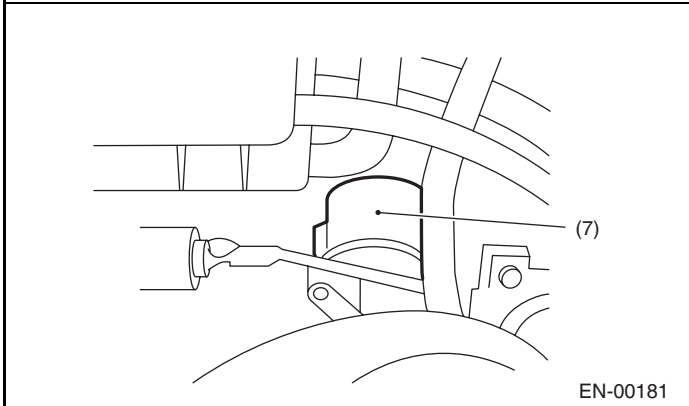
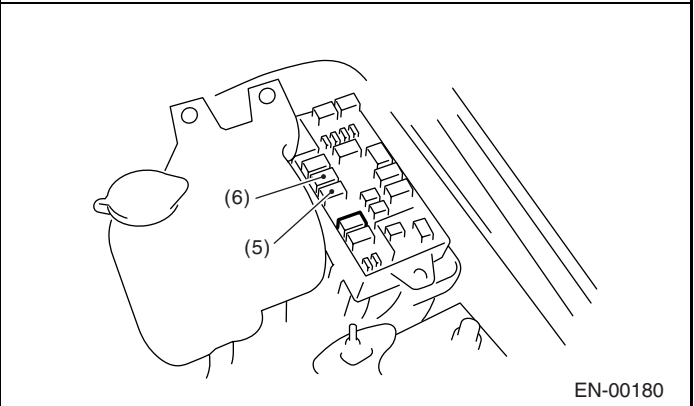
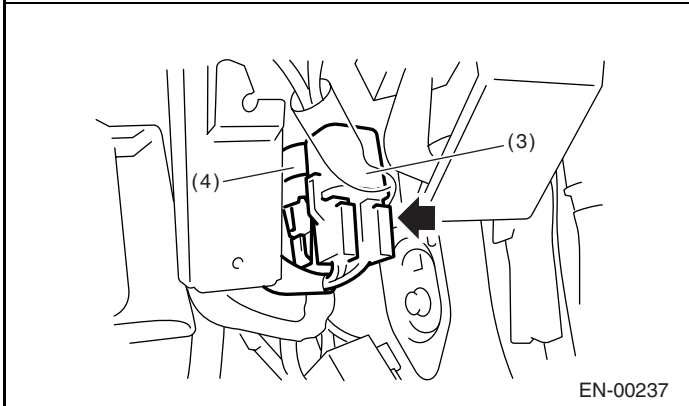
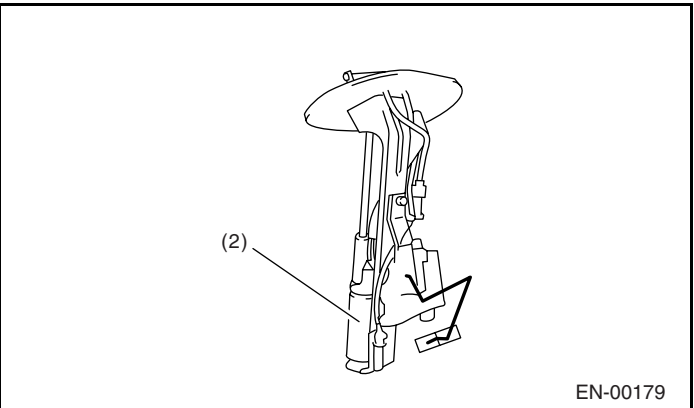
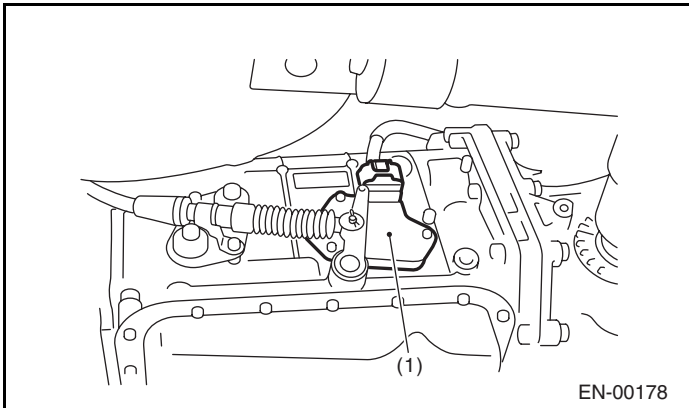
ENGINE (DIAGNOSTICS)



- |                      |                             |             |
|----------------------|-----------------------------|-------------|
| (1) Inhibitor switch | (4) Fuel pump relay         | (7) Starter |
| (2) Fuel pump        | (5) Radiator main fan relay |             |
| (3) Main relay       | (6) Radiator sub fan relay  |             |

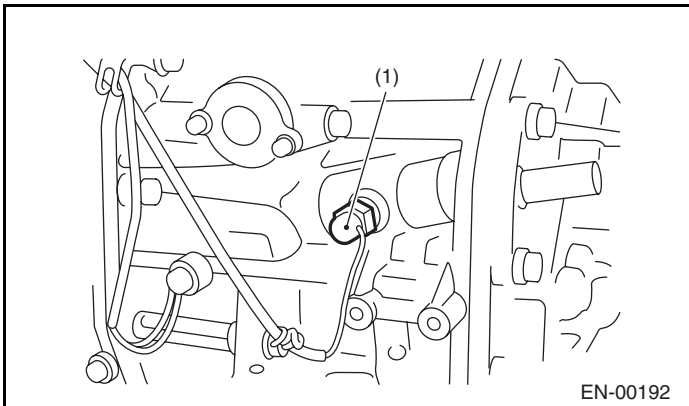
# ELECTRICAL COMPONENTS LOCATION

## ENGINE (DIAGNOSTICS)



## 2. TRANSMISSION

### • SOLENOID VALVE AND SWITCH (MT MODEL)



(1) Neutral position switch