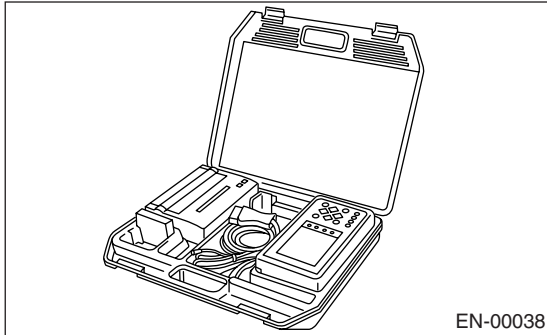


9. Subaru Select Monitor

A: OPERATION

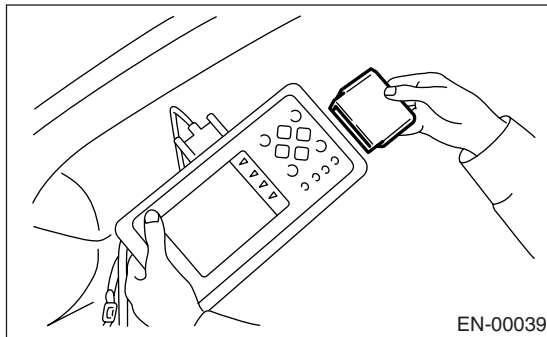
1. HOW TO USE SUBARU SELECT MONITOR

1) Prepare the Subaru Select Monitor kit. <Ref. to EN(H4DOTC)-7, PREPARATION TOOL, General Description.>



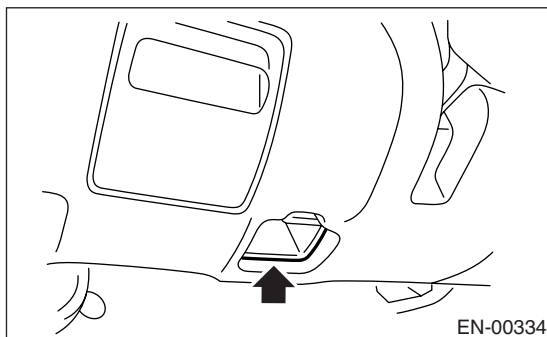
2) Connect the diagnosis cable to Subaru Select Monitor.

3) Insert the cartridge into Subaru Select Monitor. <Ref. to EN(H4DOTC)-7, PREPARATION TOOL, General Description.>



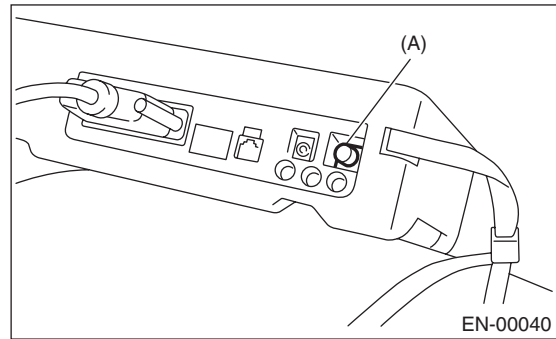
4) Connect the Subaru Select Monitor to data link connector.

(1) Data link connector is located in the lower portion of instrument panel (on the driver's side).



(2) Connect the diagnosis cable to data link connector.

5) Turn the ignition switch to ON (engine OFF) and Subaru Select Monitor switch to ON.



(A) Power switch

6) Using the Subaru Select Monitor, call up the DTC and various data, and then record them.

2. READ DIAGNOSTIC TROUBLE CODE (DTC) FOR ENGINE. (NORMAL MODE)

Refer to Read Diagnostic Trouble Code (DTC) for information about how to indicate DTC. <Ref. to EN(H4DOTC)-35, Read Diagnostic Trouble Code (DTC).>

3. READ DIAGNOSTIC TROUBLE CODE (DTC) FOR ENGINE. (OBD MODE)

Refer to Read Diagnostic Trouble Code (DTC) for information about how to indicate DTC. <Ref. to EN(H4DOTC)-35, Read Diagnostic Trouble Code (DTC).>

CAUTION:

Do not connect the scan tools except for Subaru Select Monitor and OBD-II general scan tool.

SUBARU SELECT MONITOR

ENGINE (DIAGNOSTICS)

4. READ CURRENT DATA FOR ENGINE. (NORMAL MODE)

- 1) On the «Main Menu» display screen, select the {Each System Check} and press the [YES] key.
- 2) On the «System Selection Menu» display screen, select the {Engine Control System} and press the [YES] key.
- 3) Press the [YES] key after the information of engine type is displayed.
- 4) On the «Engine Diagnosis» display screen, select the {Current Data Display & Save} and press the [YES] key.
- 5) On the «Data Display Menu» display screen, select the {Data Display} and press the [YES] key.
- 6) Using the scroll key, move the display screen up or down until desired data is shown.
 - A list of the support data is shown in the following table.

Contents	Display	Unit of measure
Battery voltage	Battery Voltage	V
Vehicle speed signal	Vehicle Speed	km/h or MPH
Engine speed signal	Engine Speed	rpm
Engine coolant temperature signal	Coolant Temp.	°C or °F
Ignition timing signal	Ignition Timing	deg
Throttle position signal	Throttle Opening Angle	%
Injection pulse width	Fuel Injection #1 Pulse	ms
Fuel pump duty control signal	Fuel Pump Duty	%
A/F sensor current	A/F Sensor #1 Current	mA
A/F sensor resistance	A/F Sensor #1 Resistance	ohm
Front oxygen (A/F) sensor lambda value	A/F Sensor #1	—
Rear oxygen sensor output signal	Rear O ₂ Sensor	V
Short term fuel trim	A/F Correction #1	%
Knock sensor correction	Knocking Correction	deg
Atmospheric absolute pressure signal	Atmosphere Pressure	mmHg or kPa or inHg or psi
Intake manifold relative pressure signal	Mani. Relative Pressure	mmHg or kPa or inHg or psi
Intake manifold absolute pressure signal	Mani. Absolute Pressure	mmHg or kPa or inHg or psi
A/F correction (short term fuel trim) by rear oxygen sensor	A/F Correction #3	%
Long term whole fuel trim	A/F Learning #1	%
Canister purge control solenoid valve duty ratio	CPC Valve Duty Ratio	%
Primary supercharged pressure control signal	Primary Control	%
Tumble generator valve position sensor signal (right side)	TGV Position Sensor R	V
Tumble generator valve position sensor signal (left side)	TGV Position Sensor L	V
Accelerator position	Accel. Opening Angle	%
VVT advanced timing (R)	VVTAdv.Amount R	deg
VVT advanced timing (L)	VVTAdv.Amount L	deg
OCV duty ratio (R)	OCV Duty R	%
OCV duty ratio (L)	OCV Duty L	%
OCV duty current (R)	OCV Current R	mA
OCV duty current (L)	OCV Current L	mA
Throttle motor duty	Throttle Motor Duty	%
Throttle power supply voltage	Throttle Motor Voltage	V
Sub-throttle sensor voltage	Sub-Throttle Sensor	V
Main-throttle sensor voltage	Main-Throttle Sensor	V
Sub-accelerator sensor voltage	Sub-Accelerator Sensor	V
Main-accelerator sensor voltage	Main-Accelerator Sensor	V
Memorized cruise speed	Memorized Cruise Speed	km/h
Roughness Monitor for #1 cylinder	Roughness Monitor #1	—

SUBARU SELECT MONITOR

ENGINE (DIAGNOSTICS)

Contents	Display	Unit of measure
Roughness Monitor for #2 cylinder	Roughness Monitor #2	—
Roughness Monitor for #3 cylinder	Roughness Monitor #3	—
Roughness Monitor for #4 cylinder	Roughness Monitor #4	—
Fuel level signal	Fuel Level	V
Intake air temperature signal	Intake Air Temp.	°C or °F
Mass air flow sensor signal	Mass Air Flow	g/s
Mass air flow sensor signal	Air Flow Sensor Voltage	V
Fuel tank pressure signal	Fuel Tank Pressure	mmHg or kPa or inHg or psi
Fuel temperature signal	Fuel Temp.	°C or °F
AT/MT identification signal	AT Vehicle ID Signal	ON or OFF
Fuel pressure control signal	PCV Solenoid Valve	ON or OFF
Drain valve signal	Vent. Solenoid Valve	ON or OFF
Tank sensor control solenoid valve signal	Tank Sensor Cntl Valve	ON or OFF
ETC Motor Relay	ETC Motor Relay	ON or OFF
Clutch SW	Clutch Switch	ON or OFF
Stop light SW	Stop Light Switch	ON or OFF
SET/COAST SW	SET/COAST Switch	ON or OFF
RESUME/ACCEL SW	RESUME/ACCEL Switch	ON or OFF
Brake SW	Brake Switch	ON or OFF
Main SW	Main Switch	ON or OFF
Ignition switch signal	Ignition Switch	ON or OFF
Test mode signal	Test Mode Signal	ON or OFF
Neutral position switch signal	Neutral Position Switch	ON or OFF
Air conditioning switch signal	A/C Switch	ON or OFF
Air conditioning signal	A/C Compressor Signal	ON or OFF
Radiator main fan relay signal	Radiator Fan Relay #1	ON or OFF
Blow-by leak diagnosis SW	Blow-by Leak Connector	ON or OFF
Knocking signal	Knocking Signal	ON or OFF
Radiator sub fan relay signal	Radiator Fan Relay #2	ON or OFF
Power steering switch signal	P/S Switch	ON or OFF
Rear oxygen sensor rich signal	Rear O ₂ Rich Signal	ON or OFF
Starter switch signal	Starter Switch	ON or OFF
Idle switch signal	Idle Switch	ON or OFF
Crankshaft position sensor signal	Crankshaft Position Sig.	ON or OFF
Camshaft position sensor signal	Camshaft Position Sig.	ON or OFF
Rear defogger switch signal	Rear Defogger SW	ON or OFF
Blower fan switch signal	Blower Fan SW	ON or OFF
Small light switch signal	Light Switch	ON or OFF
Tumble generator valve output signal	TGV Output	ON or OFF
Tumble generator valve drive signal	TGV Drive	OPEN or CLOSE

NOTE:

For detailed operation procedure, refer to the SUBARU SELECT MONITOR OPERATION MANUAL.

SUBARU SELECT MONITOR

ENGINE (DIAGNOSTICS)

5. READ CURRENT DATA FOR ENGINE. (OBD MODE)

- 1) On the «Main Menu» display screen, select the {Each System Check} and press the [YES] key.
 - 2) On the «System Selection Menu» display screen, select the {Engine Control System} and press the [YES] key.
 - 3) Press the [YES] key after the information of engine type is displayed.
 - 4) On the «Engine Diagnosis» display screen, select the {OBD System} and press the [YES] key.
 - 5) On the «OBD Menu» display screen, select the {Current Data Display & Save} and press the [YES] key.
 - 6) On the «Data Display Menu» display screen, select the {Data Display} and press the [YES] key.
 - 7) Using the scroll key, move the display screen up or down until desired data is shown.
- A list of the support data is shown in the following table.

Contents	Display	Unit of measure
Number of DTC	Number of DTC	—
Malfunction indicator light status	MI (MIL)	ON or OFF
Monitoring test of misfire	Misfire monitoring	Complete or incomplete
Monitoring test of fuel system	Fuel system monitoring	Complete or incomplete
Monitoring test of comprehensive component	Component monitoring	Complete or incomplete
Test of catalyst	Catalyst Diagnosis	Complete or incomplete
Test of heated catalyst	Heated catalyst	No support
Test of evaporative emission purge control system	Evaporative purge system	Complete or incomplete
Test of secondary air system	Secondary air system	No support
Test of air conditioning system refrigerant	A/C system refrigerant	No support
Test of oxygen sensor	Oxygen sensor	Complete or incomplete
Test of oxygen sensor heater	O ₂ Heater Diagnosis	Complete or incomplete
Test of EGR system	EGR system	No support
Air fuel ratio control system for bank 1	Fuel System for Bank 1	—
Engine load data	Calculated load value	%
Engine coolant temperature signal	Coolant Temp.	°C or °F
Short term fuel trim by front oxygen (A/F) sensor	Short term fuel trim B1	%
Long term fuel trim by front oxygen (A/F) sensor	Long term fuel trim B1	%
Intake manifold absolute pressure signal	Mani. Absolute Pressure	mmHg or kPa or inHg or psi
Engine speed signal	Engine Speed	rpm
Vehicle speed signal	Vehicle Speed	km/h or MPH
Ignition timing advance for #1 cylinder	Ignition timing adv. #1	°
Intake air temperature signal	Intake Air Temp.	°C or °F
Intake air amount	Mass Air Flow	g/s
Throttle position signal	Throttle Opening Angle	%
Oxygen sensor #11	Oxygen Sensor #11	—
Oxygen sensor #12	Oxygen Sensor #12	—
Rear oxygen sensor output signal	Oxygen Sensor #12	V
Air fuel ratio correction by rear oxygen sensor	Short term fuel trim #12	%
On-board diagnostic system	OBD System	CARB-OBD2
A/F sensor output signal	A/F sensor #11	V
A/F lambda signal	A/F sensor #11	—
A/F lambda signal #11	A/F sensor #11	—
A/F sensor current #11	A/F sensor #11	mA

NOTE:

For detailed operation procedure, refer to the SUBARU SELECT MONITOR OPERATION MANUAL.

6. READ FREEZE FRAME DATA FOR ENGINE. (OBD MODE)

- 1) On the «Main Menu» display screen, select the {Each System Check} and press the [YES] key.
 - 2) On the «System Selection Menu» display screen, select the {Engine Control System} and press the [YES] key.
 - 3) Press the [YES] key after the information of engine type is displayed.
 - 4) On the «Engine Diagnosis» display screen, select the {OBD System} and press the [YES] key.
 - 5) On the «OBD Menu» display screen, select the {Freeze Frame Data} and press the [YES] key.
- A list of the support data is shown in the following table.

Contents	Display	Unit of measure
DTC for freeze frame data	Freeze frame data	DTC
Air fuel ratio control system for bank 1	Fuel system for Bank1	Closed loop or Open loop
Air fuel ratio control system for bank 2	Fuel system for Bank2	Open loop
O ₂ sensor output voltage	Oxygen Sensor #12	V
Short term fuel trim by O ₂ sensor	Short term fuel trim #12	%
Engine load data	Calculated load value	%
Engine coolant temperature signal	Coolant Temp.	°C or °F
Short term fuel trim by front oxygen (A/F) sensor	Short term fuel trim B1	%
Long term fuel trim by front oxygen (A/F) sensor	Long term fuel trim B1	%
Intake manifold absolute pressure signal	Mani. Absolute Pressure	mmHg, kPa, inHg or psi
Engine speed signal	Engine Speed	rpm
Vehicle speed signal	Vehicle Speed	km/h or MPH
Ignition timing advance for #1 cylinder	Ignition timing adv. #1	°
Intake air temperature signal	Intake Air Temp.	°C or °F
Intake air amount	Mass Air Flow	g/s
Throttle position signal	Throttle Opening Angle	%

NOTE:

For detailed operation procedure, refer to the SUBARU SELECT MONITOR OPERATION MANUAL.

SUBARU SELECT MONITOR

ENGINE (DIAGNOSTICS)

7. LED OPERATION MODE FOR ENGINE

- 1) On the «Main Menu» display screen, select the {Each System Check} and press the [YES] key.
- 2) On the «System Selection Menu» display screen, select the {Engine Control System} and press the [YES] key.
- 3) Press the [YES] key after the information of engine type is displayed.
- 4) On the «Engine Diagnosis» display screen, select the {Current Data Display & Save} and press the [YES] key.
- 5) On the «Data Display Menu» display screen, select the {Data & LED Display} and press the [YES] key.
- 6) Using the scroll key, move the display screen up or down until the desired data is shown.
 - A list of the support data is shown in the following table.

Contents	Display	Message	LED "ON" requirements
Ignition switch signal	Ignition Switch	ON or OFF	When ignition switch is turned to ON.
Test mode signal	Test Mode Signal	ON or OFF	When test mode connector is connected.
Neutral position switch signal	Neutral Position Switch	ON or OFF	When neutral position signal is entered.
Air conditioning switch signal	A/C Switch	ON or OFF	When air conditioning switch is turned ON.
Air conditioning relay signal	A/C Compressor Signal	ON or OFF	When air conditioning relay is in function.
Radiator main fan relay signal	Radiator Fan Relay #1	ON or OFF	When radiator main fan relay is in function.
Knocking signal	Knocking Signal	ON or OFF	When knocking signal is entered.
Radiator sub fan relay signal	Radiator Fan Relay #2	ON or OFF	When radiator sub fan relay is in function.
Rear oxygen sensor rich signal	Rear O ₂ Rich Signal	ON or OFF	When rear oxygen sensor mixture ratio is rich.
Starter switch signal	Starter Switch Signal	ON or OFF	When starter switch signal is entered.
Idle switch signal	Idle Switch Signal	ON or OFF	When idle switch signal is entered.
Crankshaft position sensor signal	Crankshaft Position Signal	ON or OFF	When crankshaft position sensor signal is entered.
Camshaft position sensor signal	Camshaft Position Signal	ON or OFF	When camshaft position sensor signal is entered.
Power steering switch signal	P/S Switch	ON or OFF	When power steering switch is entered.
Rear defogger switch signal	Rear Defogger Switch	ON or OFF	When rear defogger switch is turned ON.
Blower fan switch signal	Blower Fan Switch	ON or OFF	When blower fan switch is turned ON.
Small light switch signal	Light Switch	ON or OFF	When small light switch is turned ON.
Tumble generator valve actuator signal	TGV Output	ON or OFF	When TGV actuator signal is entered.
Tumble generator valve drive signal	TGV Drive	Close or Open	When TGV moves and valve opens.
Fuel pressure control solenoid	PCV Solenoid Valve	ON or OFF	When fuel pressure control solenoid valve is in function.
Drain valve signal	Vent. Solenoid Valve	ON or OFF	When drain valve is in function.
Fuel tank sensor control solenoid valve signal	Fuel Tank Sensor Ctrl Valve	ON or OFF	When tank sensor control solenoid valve is in function.
Blow-by leak diagnosis SW	Blow-by Leak Connector	ON or OFF	When connected.
Handle SW	Handle SW	RHD/LHD	When the vehicle is LHD model.
ETC motor relay	ETC Motor Relay	ON or OFF	When electric throttle is in function.
Clutch SW	Clutch SW	ON or OFF	When clutch switch is turned ON.
Stop SW	Stop Light Switch	ON or OFF	When stop light switch is turned ON.
SET/CST SW	SET/COAST Switch	ON or OFF	When SET/COAST switch is turned ON.
RES/ACC SW	RESUME/ACCEL Switch	ON or OFF	When RESUME/ACCEL switch is turned ON.
Brake SW	Brake Switch	ON or OFF	When brake switch is turned ON.
Main SW	Main Switch	ON or OFF	When main switch is turned ON.

NOTE:

For detailed operation procedure, refer to the SUBARU SELECT MONITOR OPERATION MANUAL.