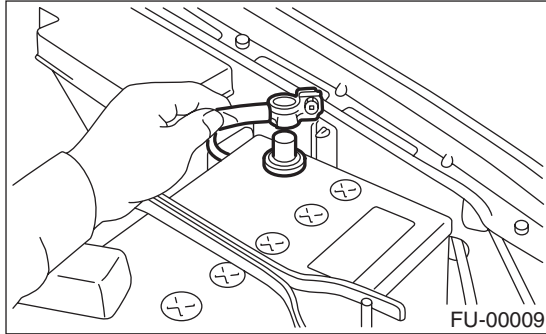


## 5. Rear Exhaust Pipe

### A: REMOVAL

1) Disconnect the ground cable from battery.

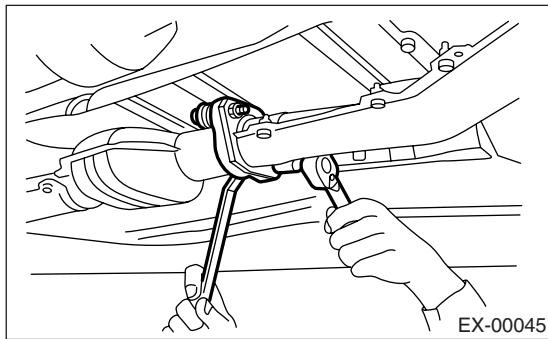


2) Lift-up the vehicle.

3) Separate the rear exhaust pipe from center exhaust pipe.

**CAUTION:**

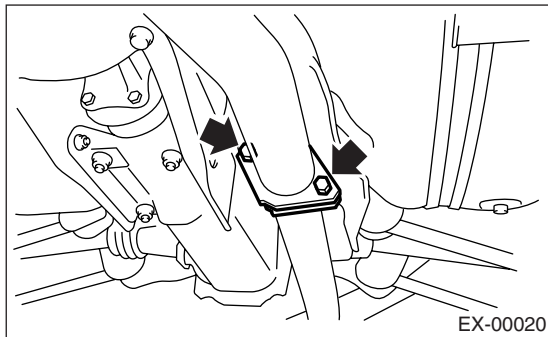
**Be careful, the exhaust pipe is hot.**



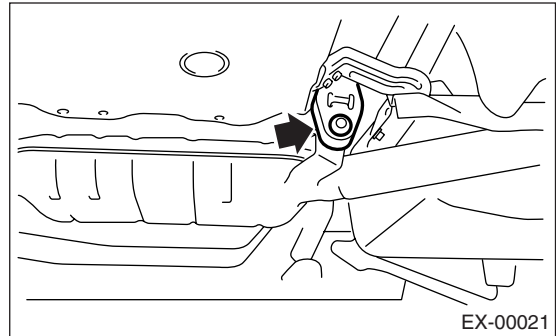
4) Separate the rear exhaust pipe from muffler.

**CAUTION:**

**Be careful not to pull down the rear exhaust pipe.**



5) Separate the rear exhaust pipe from cushion rubber, and then remove.

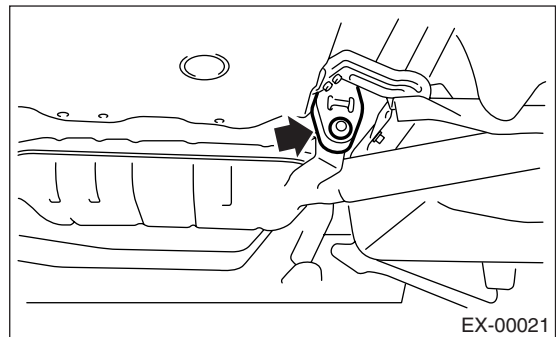


### B: INSTALLATION

**NOTE:**

Replace the gasket and nuts with new ones.

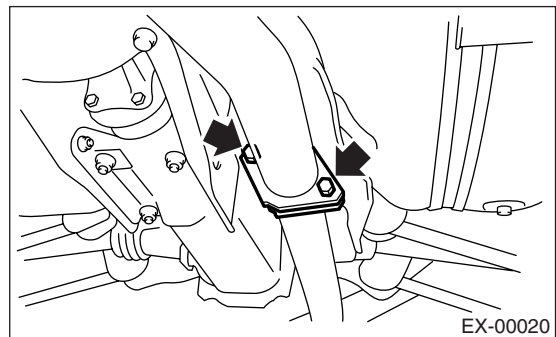
1) Install the rear exhaust pipe to cushion rubber.



2) Install the rear exhaust pipe to muffler.

**Tightening torque:**

**48 N·m (4.9 kgf-m, 35.4 ft-lb)**



## REAR EXHAUST PIPE

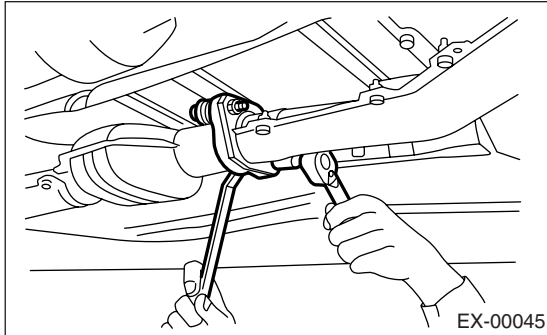
### EXHAUST

---

3) Install the rear exhaust pipe to center exhaust pipe.

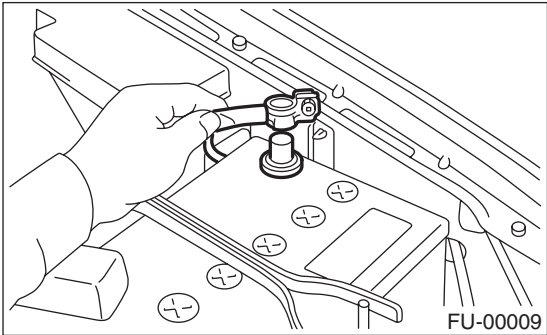
**Tightening torque:**

**18 N·m (1.8 kgf·m, 13.0 ft·lb)**



4) Lower the vehicle.

5) Connect the battery ground cable to battery.



### C: INSPECTION

- 1) Make sure there are no exhaust leaks from connections and welds.
- 2) Make sure there are no holes or rusting.
- 3) Make sure the cushion rubber is not worn or cracked.