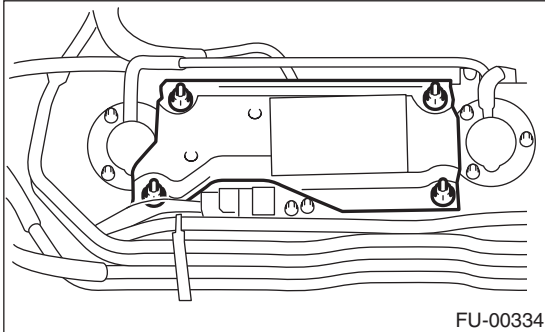


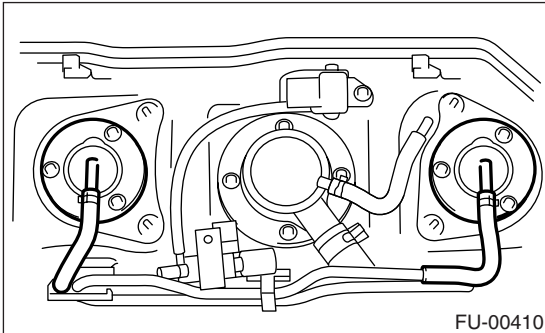
## 28. Fuel Cut Valve

### A: REMOVAL

- 1) Remove the fuel tank. <Ref. to FU(H4DOTC)-47, REMOVAL, Fuel Tank.>
- 2) Remove the protect cover.



- 3) Move the clip and disconnect the evaporation hose from fuel cut valve.



- 4) Remove the bolts which install the fuel cut valve.

### B: INSTALLATION

Install in the reverse order of removal.

#### *Tightening torque:*

**4.4 N·m (0.45 kgf·m, 3.3 ft-lb)**

