

FUEL FILLER PIPE

FUEL INJECTION (FUEL SYSTEMS)

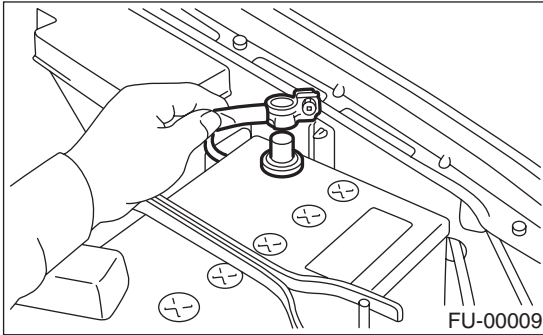
23. Fuel Filler Pipe

A: REMOVAL

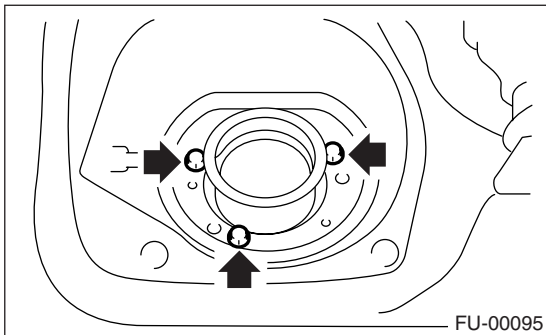
WARNING:

- Place “NO FIRE” signs near the working area.
- Be careful not to spill fuel on the floor.

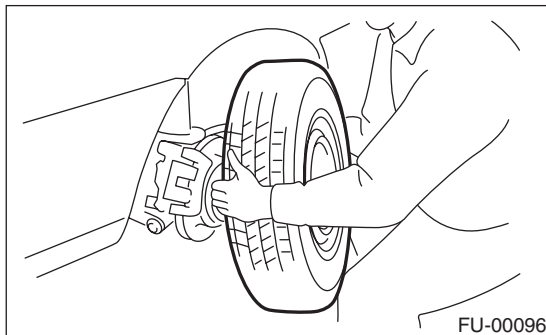
- 1) Release the fuel pressure. <Ref. to FU(H4DOTC)-46, RELEASING OF FUEL PRESSURE, OPERATION, Fuel.>
- 2) Open the fuel filler flap lid and remove the filler cap.
- 3) Disconnect the ground cable from battery.



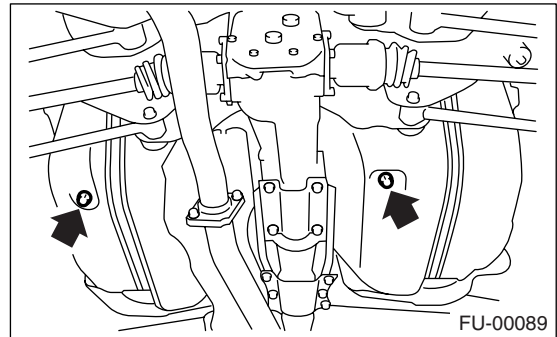
- 4) Remove the screws holding packing in place.



- 5) Lift-up the vehicle.
- 6) Remove the rear right side wheel nuts.
- 7) Remove the rear right side wheel.



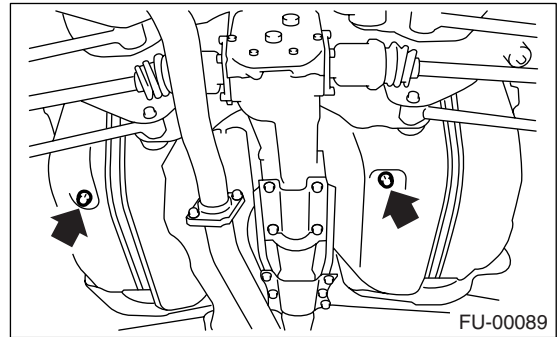
- 8) Drain the fuel from the fuel tank. Set a container under the vehicle and remove the drain plug from the fuel tank.



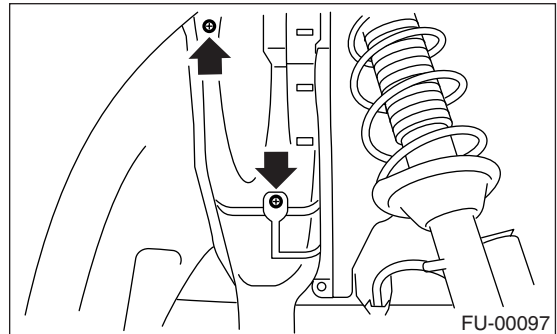
- 9) Tighten the fuel drain plug.

Tightening torque:

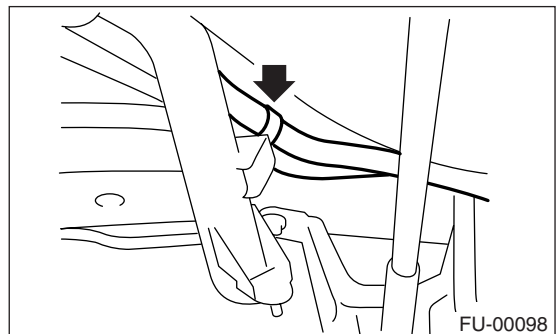
26 N·m (2.65 kgf·m, 19.2 ft·lb)



- 10) Remove the fuel filler pipe protector.



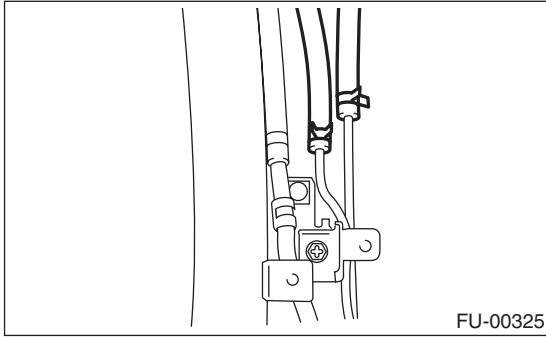
- 11) Separate the evaporation hoses from the clip of fuel filler pipe.



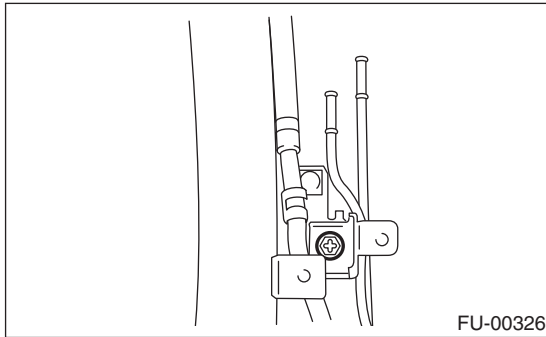
FUEL FILLER PIPE

FUEL INJECTION (FUEL SYSTEMS)

12) Disconnect the evaporation hoses from the pipes.

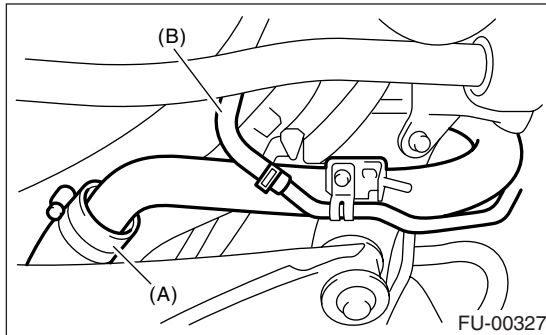


13) Remove the bolts which hold the fuel filler pipe bracket on the body.



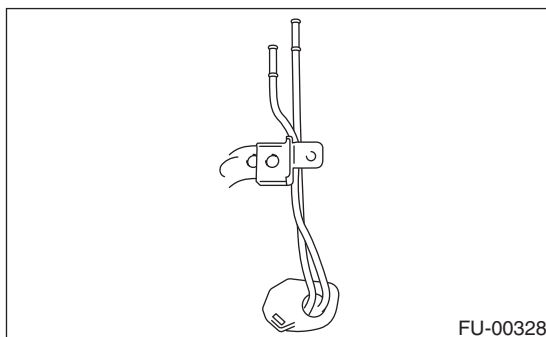
14) Loosen the clamp and separate the fuel filler hose (A) from the fuel filler pipe.

15) Loosen the clip and separate the evaporation hose (B).



16) Remove the fuel filler pipe to under side of the vehicle.

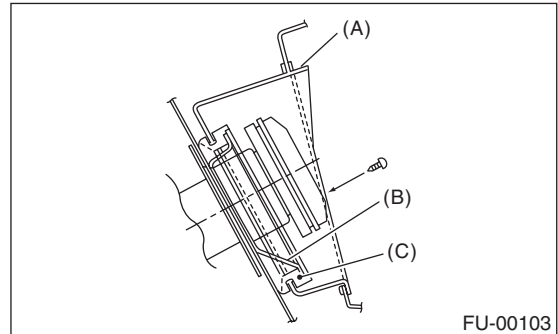
17) Remove the evaporation pipe together with clip from the body.



B: INSTALLATION

1) Hold the fuel filler flap lid open.

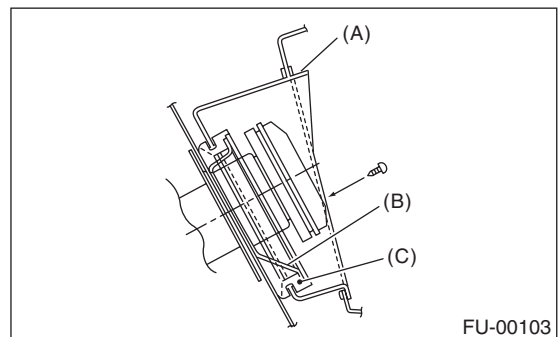
2) Set the fuel saucer (A) with rubber packing (C) and insert the fuel filler pipe into hole from the inner side of apron.



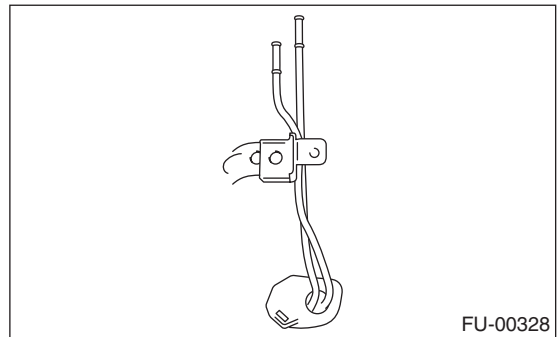
3) Align the holes in fuel filler pipe neck and set the cup (B), and tighten the screws.

NOTE:

If the edges of rubber packing are folded toward the inside, straighten it with a screwdriver.



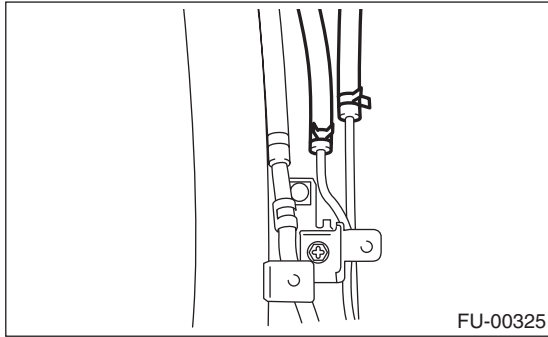
4) Install the evaporation pipe.



FUEL FILLER PIPE

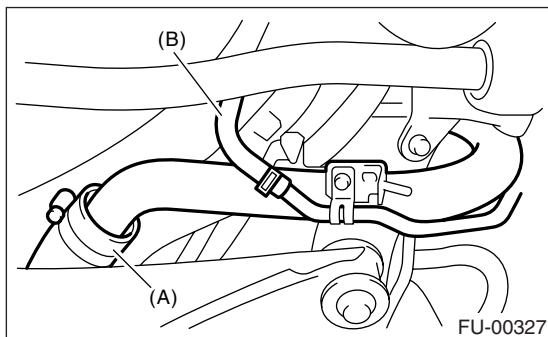
FUEL INJECTION (FUEL SYSTEMS)

5) Connect the evaporation hose to the pipe.



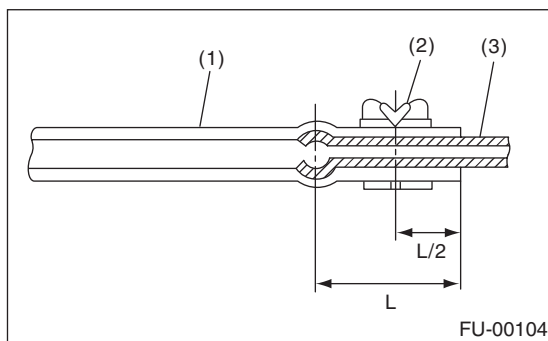
6) Insert the fuel filler hose (A) approximately 35 to 40 mm (1.38 to 1.57 in) over the lower end of fuel filler pipe and tighten the clamp.

CAUTION:
Do not allow clips to touch evaporation hose (B) and rear suspension crossmember.



7) Insert the evaporation hose approximately 25 to 30 mm (0.98 to 1.18 in) into the lower end of evaporation pipe and hold the clip.

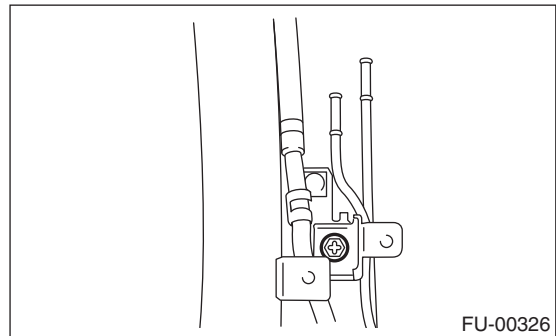
L : 27.5±2.5 mm (1.083±0.098 in)



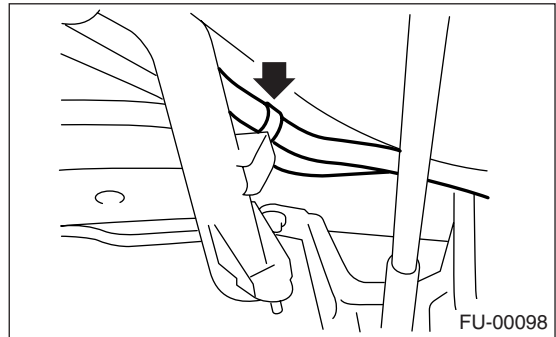
- (1) Hose
- (2) Clip
- (3) Pipe

8) Tighten the bolt which holds the fuel filler pipe bracket on the body.

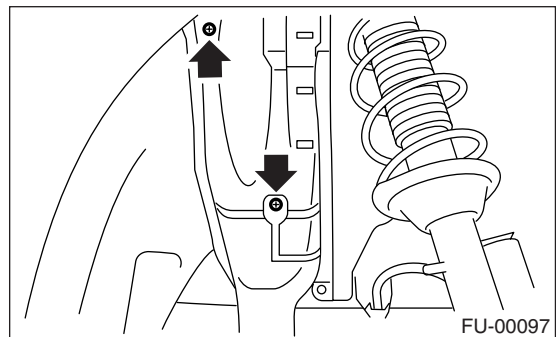
Tightening torque:
7.5 N·m (0.75 kgf·m, 5.4 ft·lb)



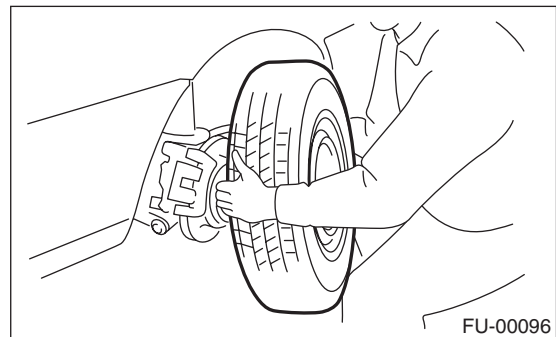
9) Secure the evaporation hose to clip of fuel filler pipe.



10) Install the fuel filler pipe protector.



11) Install the rear right wheel.

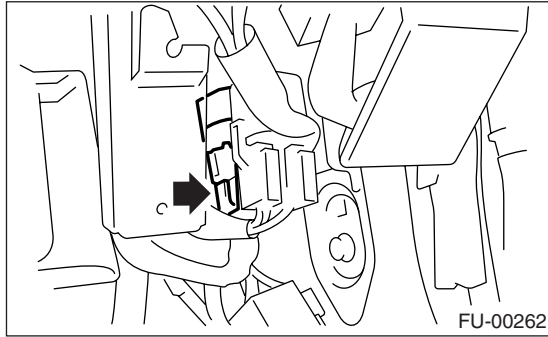


12) Lower the vehicle.
13) Tighten the wheel nuts.

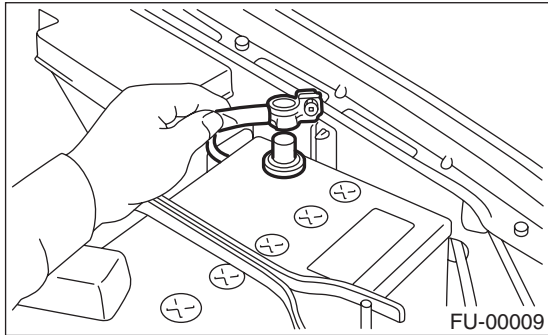
FUEL FILLER PIPE

FUEL INJECTION (FUEL SYSTEMS)

14) Connect the connector to the fuel pump relay.

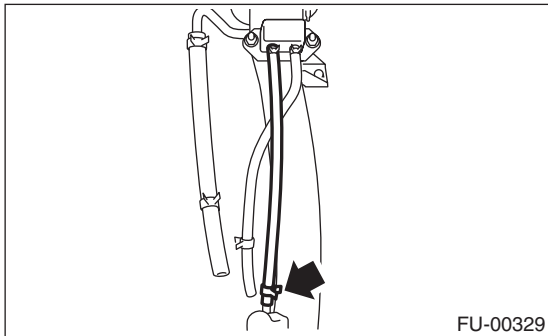


15) Connect the battery ground terminal.

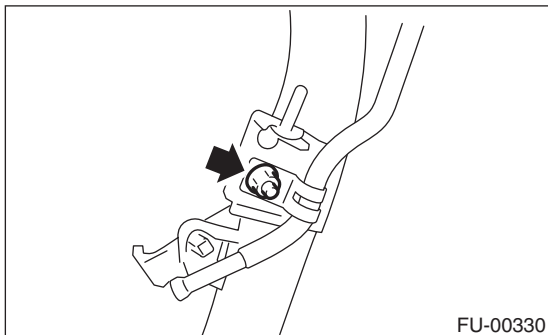


C: DISASSEMBLY

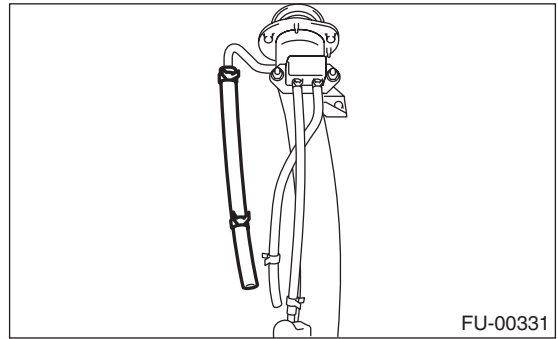
1) Move the clip, and disconnect the evaporation hose from the joint pipe.



2) Remove the bolt which installs the joint pipe on the fuel filler pipe.



3) Disconnect the evaporation hose from the fuel filler pipe.

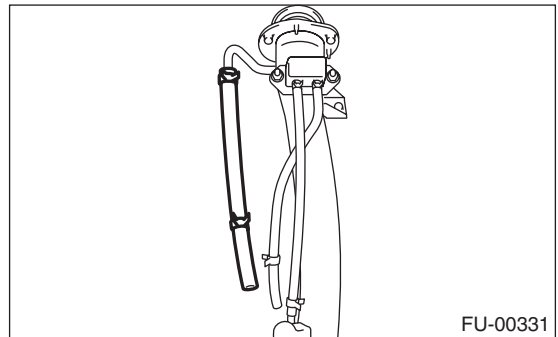


4) Remove the shut valve from the fuel filler pipe. <Ref. to EC(H4DOTC)-18, REMOVAL, Shut Valve.>

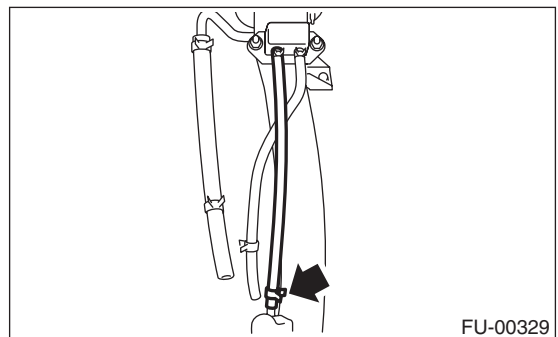
D: ASSEMBLY

1) Install the shut valve on the fuel filler pipe. <Ref. to EC(H4DOTC)-18, INSTALLATION, Shut Valve.>

2) Connect the evaporation hose to the fuel filler pipe.



3) Connect the evaporation hose to the evaporation pipe.



FUEL FILLER PIPE

FUEL INJECTION (FUEL SYSTEMS)

4) Install the evaporation pipe to the fuel filler pipe.

