

### 21. Fuel

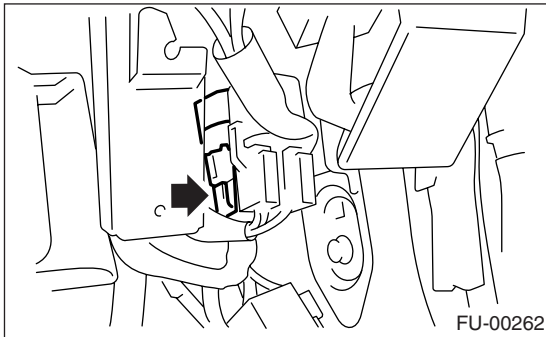
#### A: OPERATION

##### 1. RELEASING OF FUEL PRESSURE

###### WARNING:

- Place “NO FIRE” signs near the working area.
- Be careful not to spill the fuel.

- 1) Disconnect the connector from the fuel pump relay.



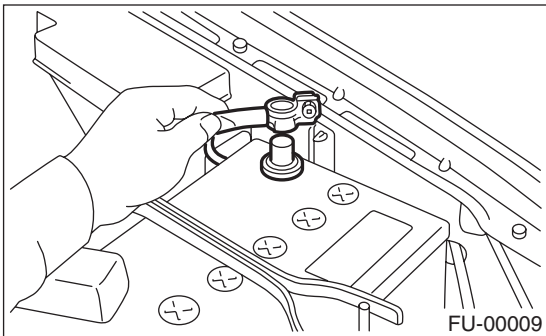
- 2) Start and run the engine until it stalls.
- 3) After the engine stalls, crank it for five more seconds.
- 4) Turn the ignition switch to OFF.

##### 2. DRAINING FUEL

###### WARNING:

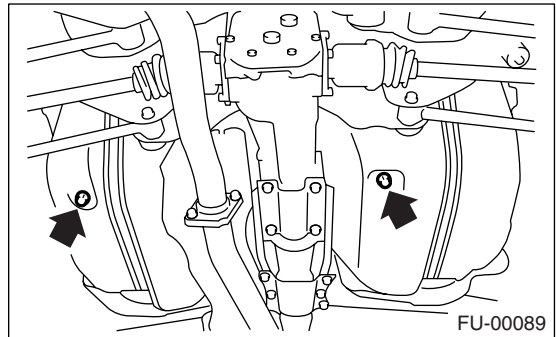
- Place “NO FIRE” signs near the working area.
- Be careful not to spill the fuel.

- 1) Set the vehicle on a lift.
- 2) Disconnect the ground cable from battery.



- 3) Open the fuel filler flap lid, and remove the fuel filler cap.
- 4) Lift-up the vehicle.

- 5) Drain the fuel from the fuel tank. Set a container under the vehicle, and remove drain plug from the fuel tank.



- 6) Tighten the fuel drain plug.

###### Tightening torque:

**26 N·m (2.65 kgf·m, 19.2 ft·lb)**

