

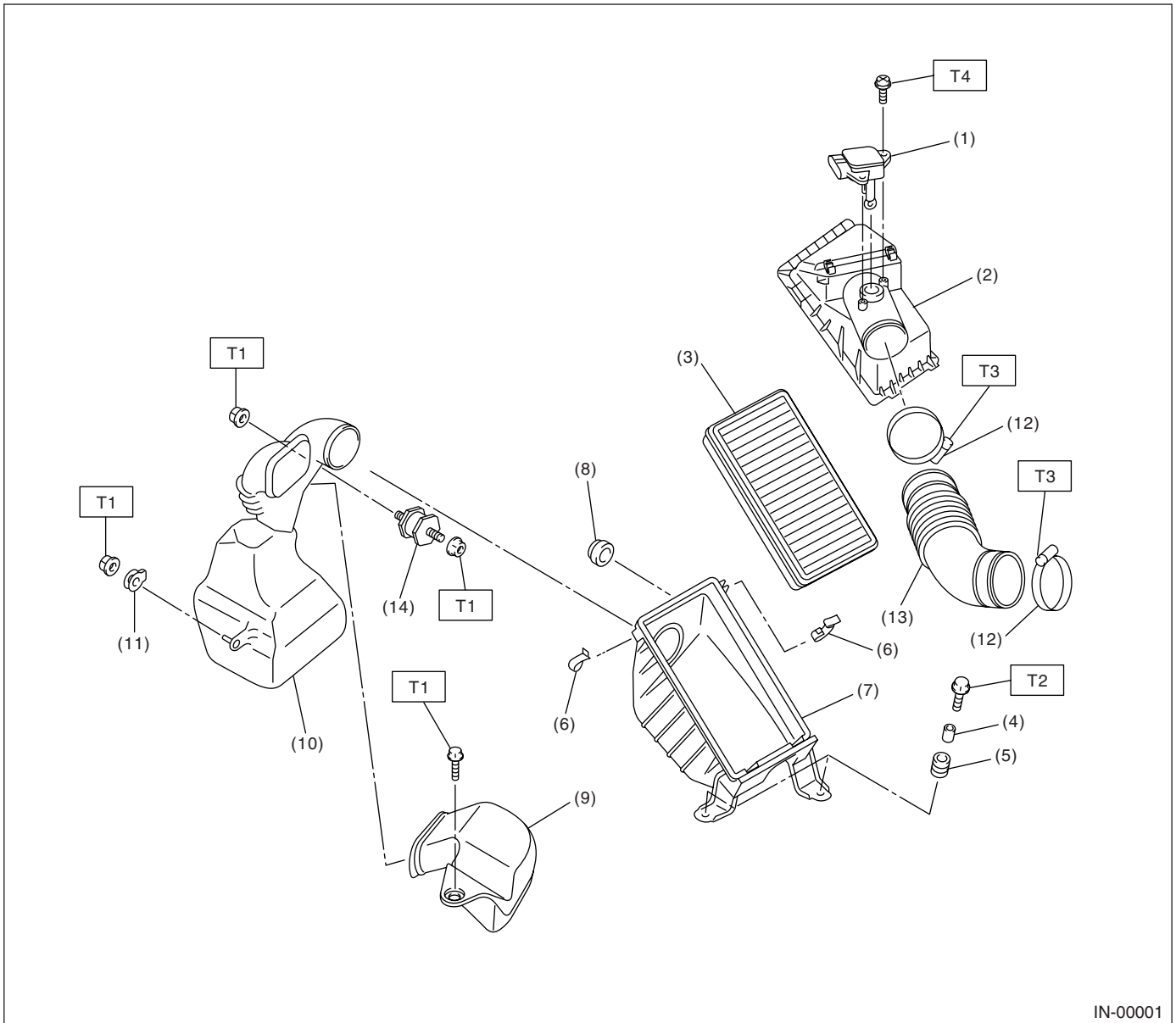
GENERAL DESCRIPTION

INTAKE (INDUCTION)

1. General Description

A: COMPONENT

1. AIR CLEANER



IN-00001

- | | |
|---|-----------------------------|
| (1) Mass air flow and intake air temperature sensor | (8) Cushion rubber |
| (2) Air cleaner upper cover | (9) Air intake duct |
| (3) Air cleaner element | (10) Resonator chamber ASSY |
| (4) Spacer | (11) Cushion rubber |
| (5) Bushing | (12) Clamp |
| (6) Clip | (13) Air intake boot |
| (7) Air cleaner lower case | (14) Cushion |

Tightening torque: N-m (kgf-m, ft-lb)

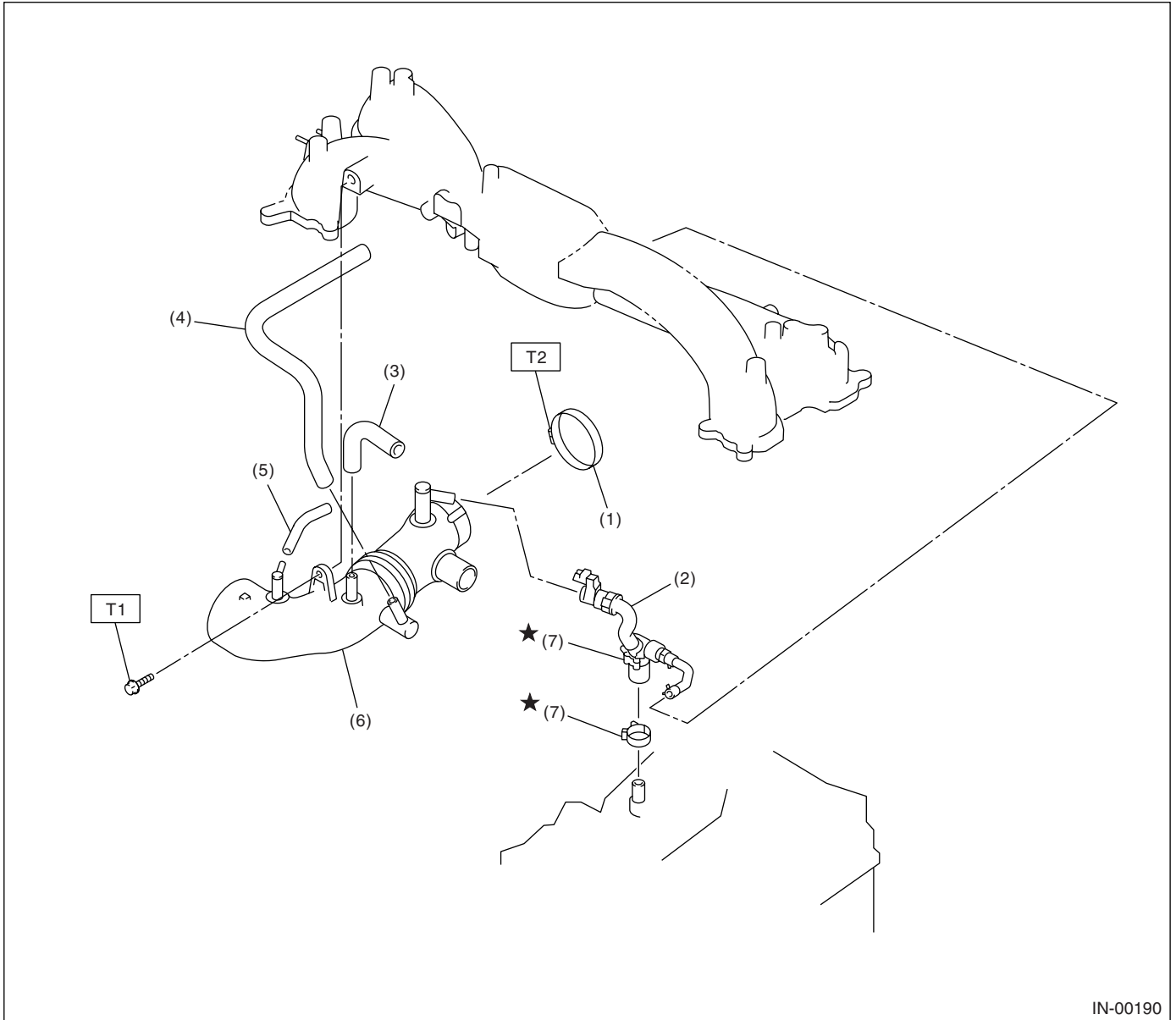
T1: 7.5 (0.76, 5.5)

T2: 33 (3.4, 24.6)

T3: 2.5 (0.25, 1.8)

T4: 1.7 (0.17, 1.2)

2. INTAKE DUCT



IN-00190

- | | |
|------------------------|------------------------|
| (1) Clamp | (5) Air by-pass hose C |
| (2) PCV hose ASSY | (6) Intake duct |
| (3) Air by-pass hose A | (7) Clamp |
| (4) Air by-pass hose B | |

Tightening torque: N·m (kgf-m, ft-lb)

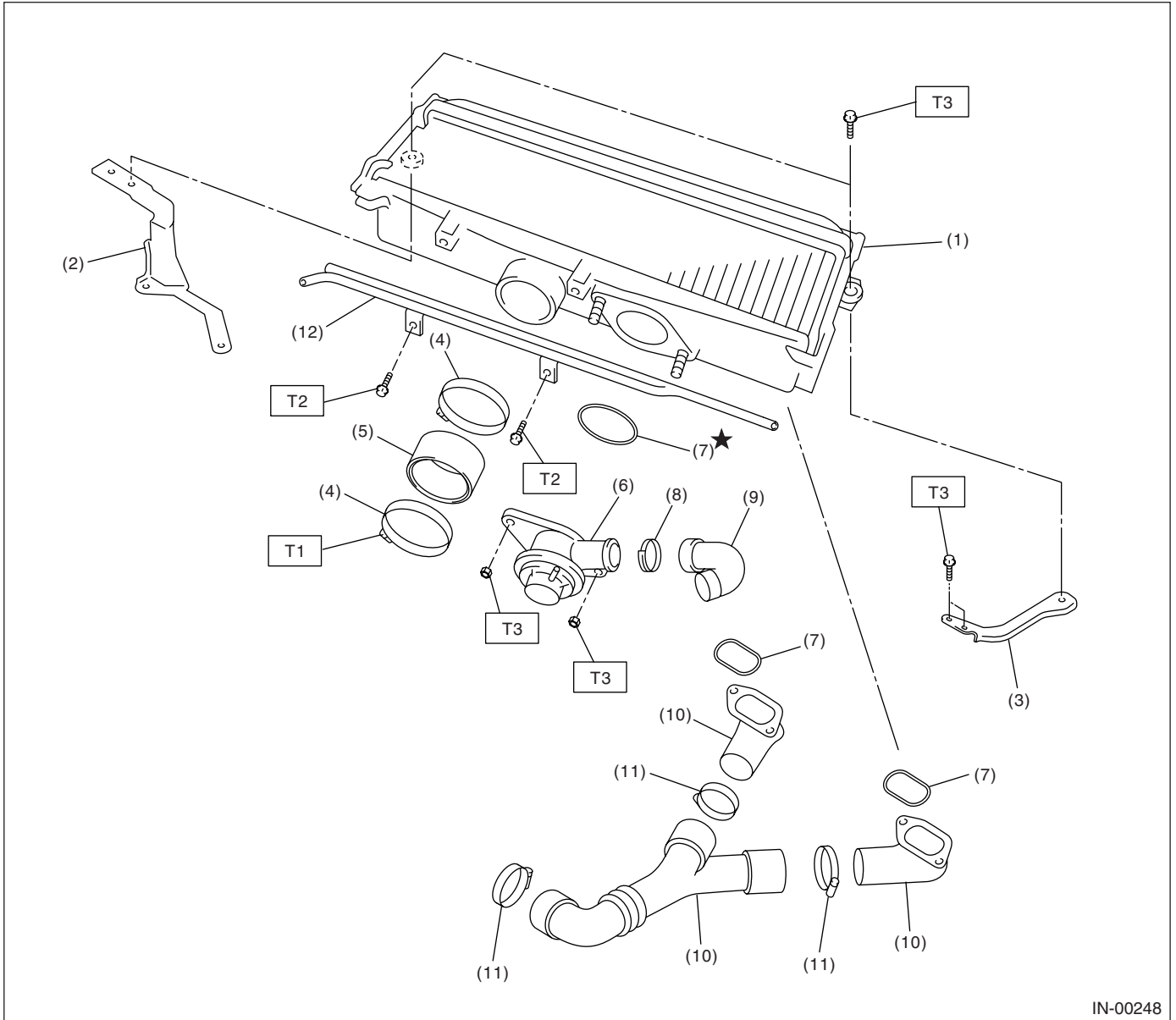
T1: 19 (1.9, 13.7)

T2: 3 (0.3, 2.2)

GENERAL DESCRIPTION

INTAKE (INDUCTION)

3. INTERCOOLER



IN-00248

- | | |
|----------------------------|------------------------|
| (1) Intercooler | (7) O-ring |
| (2) Intercooler bracket RH | (8) Clamp |
| (3) Intercooler bracket LH | (9) Air by-pass hose A |
| (4) Clamp | (10) Intercooler duct |
| (5) Air intake duct | (11) Clamp |
| (6) Air by-pass valve | (12) PCV pipe |

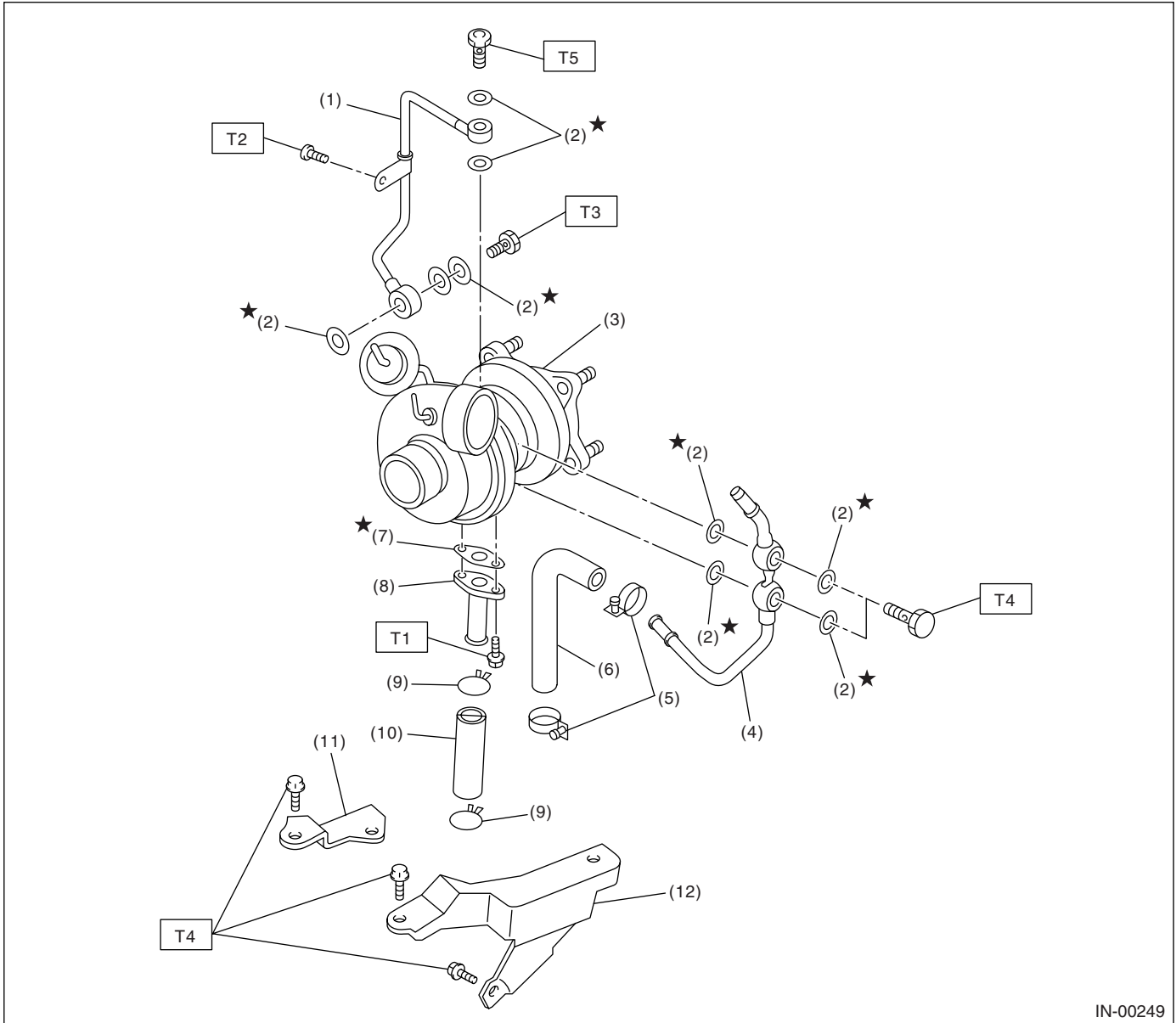
Tightening torque: N·m (kgf-m, ft-lb)

T1: 3 (0.3, 2.2)

T2: 6.1 (0.62, 4.5)

T3: 16 (1.6, 11.6)

4. TURBOCHARGER



IN-00249

- | | |
|-------------------------|------------------------------|
| (1) Oil inlet pipe | (8) Oil outlet pipe |
| (2) Metal gasket | (9) Clip |
| (3) Turbocharger | (10) Oil outlet hose |
| (4) Water pipe | (11) Turbocharger bracket RH |
| (5) Clamp | (12) Turbocharger bracket LH |
| (6) Engine coolant hose | |
| (7) Gasket | |

Tightening torque: N·m (kgf·m, ft·lb)

T1: 4.4 (0.45, 3.3)

T2: 4.9 (0.50, 3.6)

T3: 29 (3.0, 21.7)

T4: 33 (3.4, 24.6)

T5: 16 (1.6, 11.6)

GENERAL DESCRIPTION

INTAKE (INDUCTION)

B: CAUTION

- Wear working clothing, including a cap, protective goggles, and protective shoes during operation.
- Remove contamination including dirt and corrosion before removal, installation or disassembly.
- Keep the disassembled parts in order and protect them from dust or dirt.
- Before removal, installation or disassembly, be sure to clarify the failure. Avoid unnecessary removal, installation, disassembly, and replacement.
- Be careful not to burn your hands, because each part on the vehicle is hot after running.
- Be sure to tighten fasteners including bolts and nuts to the specified torque.
- Place shop jacks or safety stands at the specified points.
- Before disconnecting electrical connectors of sensor or units, be sure to disconnect the ground cable from battery.