

AIRBAG WARNING LIGHT FAILURE

AIRBAG SYSTEM (DIAGNOSTICS)

11. Airbag Warning Light Failure

A: AIRBAG WARNING LIGHT REMAINS ON.

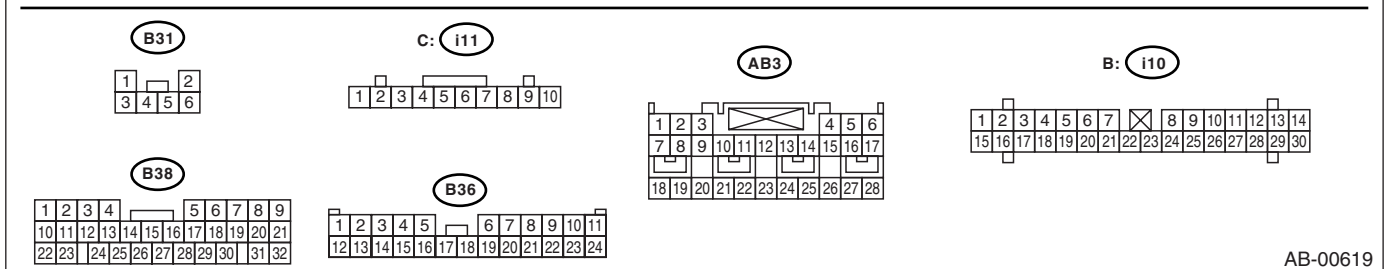
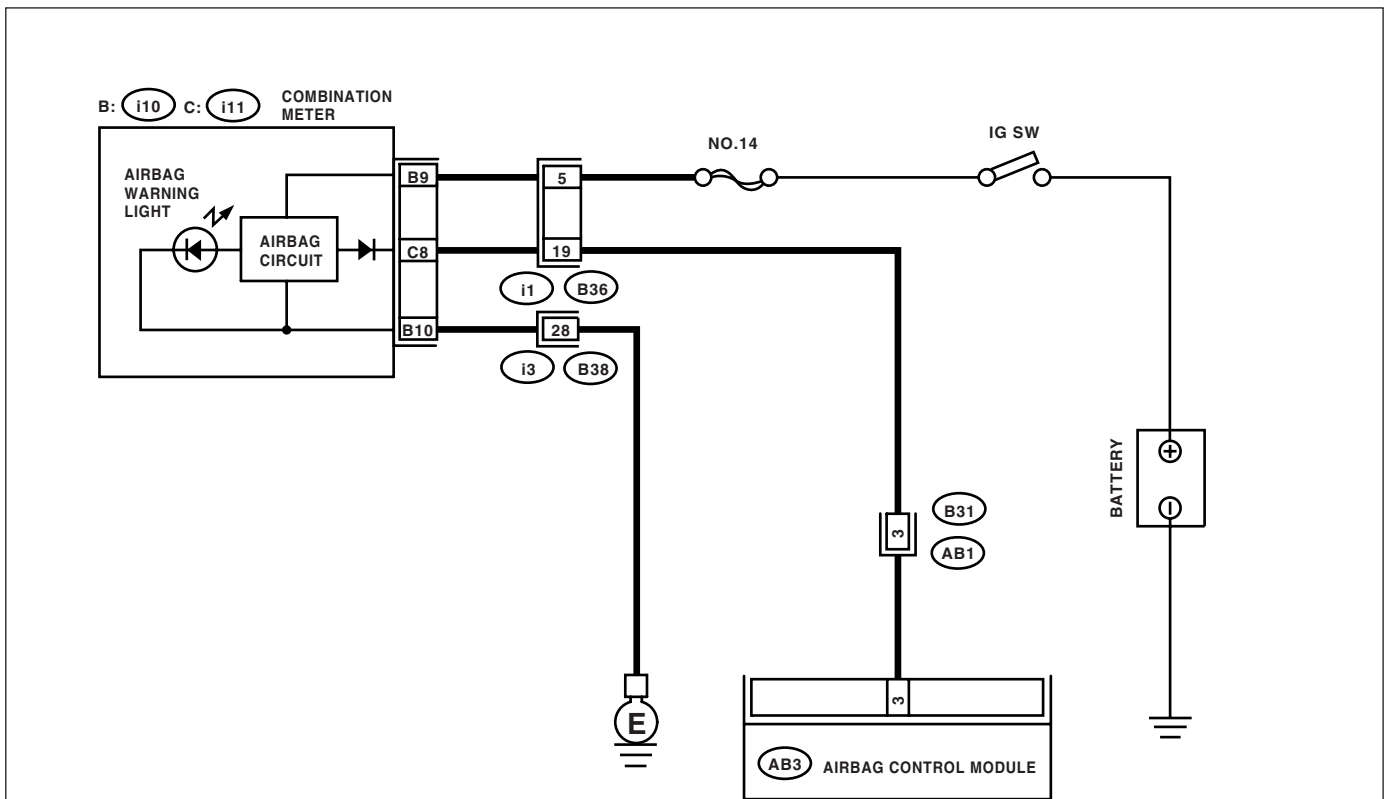
DIAGNOSIS:

- Airbag warning light unit is faulty.
- Airbag control module to airbag warning light circuit is shorted or open.
- Grounding circuit is faulty.
- Airbag control module is faulty.
- (AB1) and (B31) are not connected properly.
- (AB3) is not connected properly to the airbag control module.

CAUTION:

- Before diagnosing the airbag system, be sure to turn the ignition switch to OFF, disconnect the ground cable from battery, and wait more than 20 seconds before starting to work.
- When inspecting the airbag main harness, disconnect the airbag module connector of the driver and passenger seats for safety reasons.

WIRING DIAGRAM:



AB-00619

AIRBAG WARNING LIGHT FAILURE

AIRBAG SYSTEM (DIAGNOSTICS)

Step	Check	Yes	No
1 CHECK POOR CONTACT IN CONNECTORS (AB1) AND (B31). 1) Turn the ignition switch to OFF, disconnect the battery ground cable, and wait more than 20 seconds. 2) Remove the side sill cover. (Driver's side) 3) Confirm that firm contact is secured between connectors (AB1) and (B31).	Is the poor contact in connectors (AB1) and (B31)?	Repair the body harness or replace the body harness with airbag main harness.	Go to step 2.
2 CHECK AIRBAG WARNING LIGHT. 1) Turn the ignition switch to OFF, disconnect the battery ground cable, and wait more than 20 seconds. 2) Connect the connector (1T) in test harness T to the body harness connector (B31). 3) Connect the connector (1M) in test harness M to the connector (2T) in test harness T. 4) Connect the battery ground cable and turn the ignition switch to ON. 5) Connect two connectors, (3M) and (4M) in test harness M.	Is the airbag warning light turned off?	Go to step 4.	Go to step 3.
3 CHECK BODY HARNESS. Check the body harness. NOTE: After problem has been eliminated, disconnect the connectors (3M) and (4M).	Is the anything unusual to body harness?	Repair the body harness.	Replace the combination meter printed circuit. <Ref. to IDI-10, Combination Meter Assembly.>
4 CHECK POOR CONTACT. Confirm that firm contact is secured between the airbag control module and the connector (AB3). <Ref. to AB-16, Airbag Control Module.>	Is the poor contact in connector (AB3)?	Replace the body harness with airbag main harness or replace the airbag control module. <Ref. to AB-16, Airbag Control Module.>	Go to step 5.
5 CHECK AIRBAG MAIN HARNESS. 1) Turn the ignition switch to OFF, disconnect the battery ground cable, and wait more than 20 seconds. 2) Connect the connector (AB1) to (B31). 3) Disconnect the connectors (AB26) and (AB21). 4) Remove the glove box and disconnect the connectors (AB27) and (AB4). 5) Disconnect the connector (AB3) from the airbag control module, and connect the connector (1R) in test harness R. <Ref. to AB-16, Airbag Control Module.> 6) Connect the battery ground cable and turn the ignition switch to ON. 7) Connect the connectors (5R) and (6R) in test harness R. NOTE: After problem has been eliminated, disconnect the connectors (5R) and (6R).	Is the airbag warning light turned off?	Go to step 6.	Replace the body harness with airbag main harness.

AIRBAG WARNING LIGHT FAILURE

AIRBAG SYSTEM (DIAGNOSTICS)

Step	Check	Yes	No
6 CHECK GROUNDING CIRCUIT. 1) Turn the ignition switch to OFF, disconnect the battery ground cable, and wait more than 20 seconds. 2) Disconnect the connector (AB3) from the airbag control module. 3) Connect the connector (1R) in test harness R to body harness connector (AB3). 4) Measure the resistance between connector (2R) in test harness R and the chassis ground. Connector & terminal (2R) No. 10 — Chassis ground: (2R) No. 11 — Chassis ground:	Is the resistance less than 10 Ω ?	Replace the airbag control module. <Ref. to AB-16, Airbag Control Module.>	Repair the body-grounding circuit.

AIRBAG WARNING LIGHT FAILURE

AIRBAG SYSTEM (DIAGNOSTICS)

B: AIRBAG WARNING LIGHT REMAINS OFF.

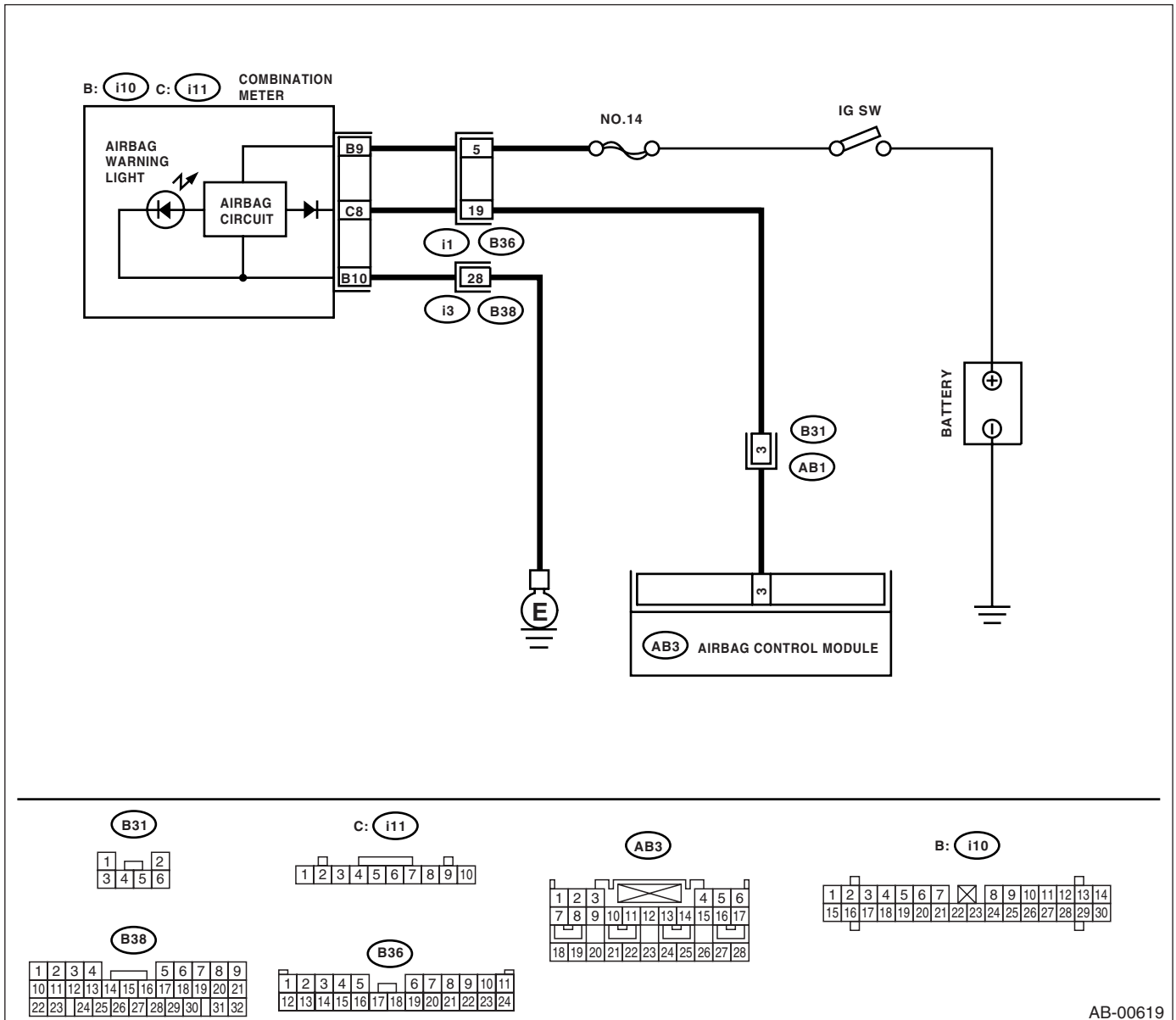
DIAGNOSIS:

- Fuse No. 14 (in fuse box) is blown.
- Body harness is open.
- Airbag warning light is faulty.
- Airbag main harness is faulty.
- Airbag control module is faulty.

CAUTION:

- Before diagnosing the airbag system, be sure to turn the ignition switch to OFF, disconnect the ground cable from battery, and wait more than 20 seconds before starting to work.
- When inspecting the airbag main harness, disconnect the airbag module connector of the driver and passenger seats for safety reasons.

WIRING DIAGRAM:



AB-00619

AIRBAG WARNING LIGHT FAILURE

AIRBAG SYSTEM (DIAGNOSTICS)

Step	Check	Yes	No
1 CHECK COMBINATION METER. Turn the ignition switch to ON, and confirm that warning lights equipped in the combination meter are turned on.	Do the warning lights not for airbag turn on?	Go to step 2.	Repair the combination meter power supply. <Ref. to IDI-3, Combination Meter System.>
2 CHECK FUSE NO. 14 (IN MAIN FUSE BOX). Remove the fuse No. 14 and perform visual inspection.	Is the fuse No. 14 (in main fuse box) blown out?	Replace the fuse No. 14. If fuse No. 14 is blown out again, go to step 3.	Go to step 3.
3 CHECK AIRBAG WARNING LIGHT CIRCUIT (IN COMBINATION METER). 1) Turn the ignition switch to OFF, disconnect the battery ground cable, and wait more than 20 seconds. 2) Disconnect the connector (AB1) from (B31). 3) Connect the battery ground cable and turn the ignition switch to ON.	Is the airbag warning light turned on?	Go to step 4.	Replace the airbag warning light bulb or combination meter printed circuit. <Ref. to IDI-10, Combination Meter Assembly.>
4 CHECK AIRBAG MAIN HARNESS. 1) Turn the ignition switch to OFF, disconnect the battery ground cable, and wait more than 20 seconds. 2) Connect the connector (AB1) to (B31). 3) Disconnect the connector (AB3) from the airbag control module. <Ref. to AB-16, Airbag Control Module.> 4) Connect the battery ground cable and turn the ignition switch to ON.	Is the airbag warning light turned on?	Replace the airbag control module. <Ref. to AB-16, Airbag Control Module.>	Replace the body harness with airbag main harness.