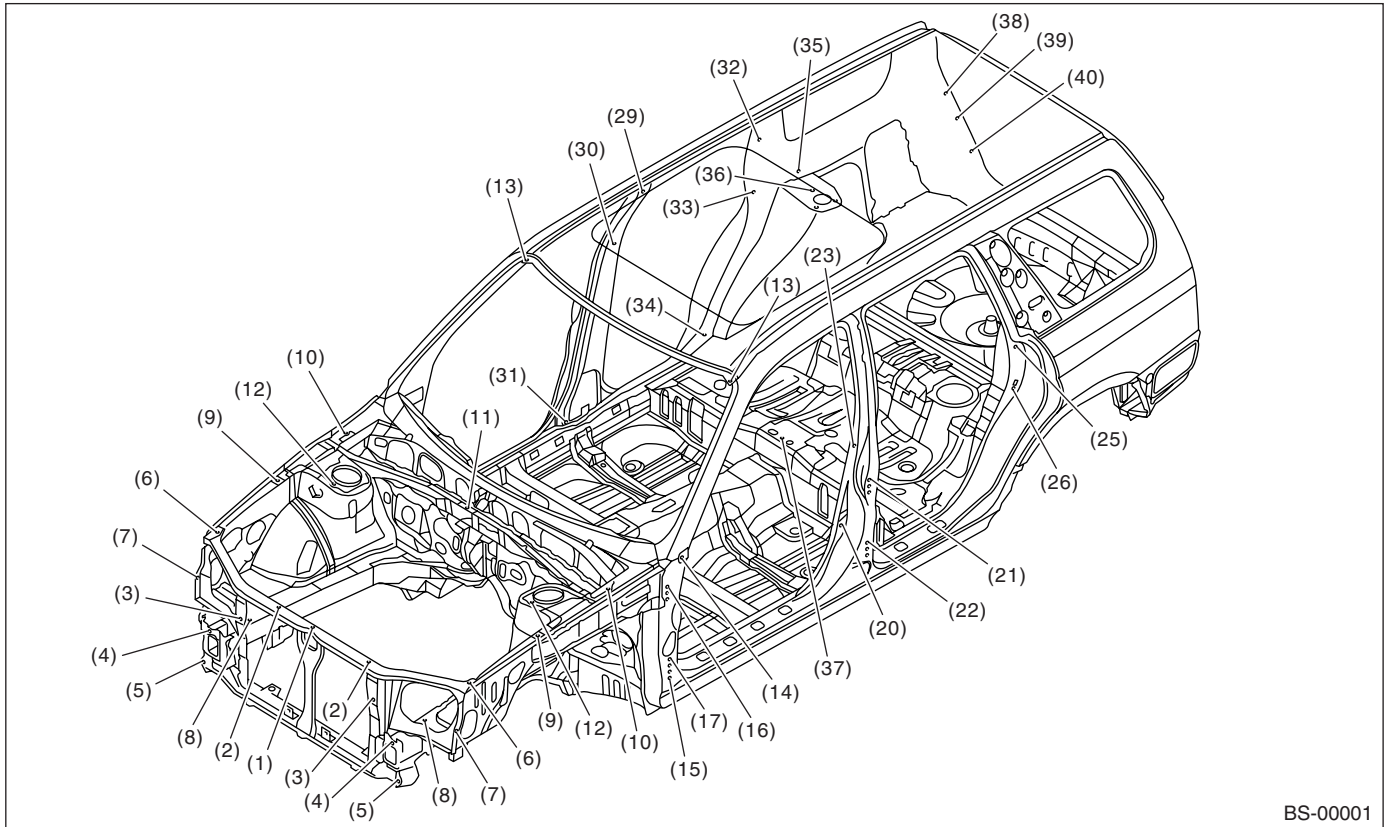


2. Datum Points

A: LOCATION

NOTE:

- Datum points are specified for body repair.
- Guide holes, locators, and indents are provided to facilitate panel replacement and to increase alignment accuracy.
- Both right and left reference points are symmetrical.



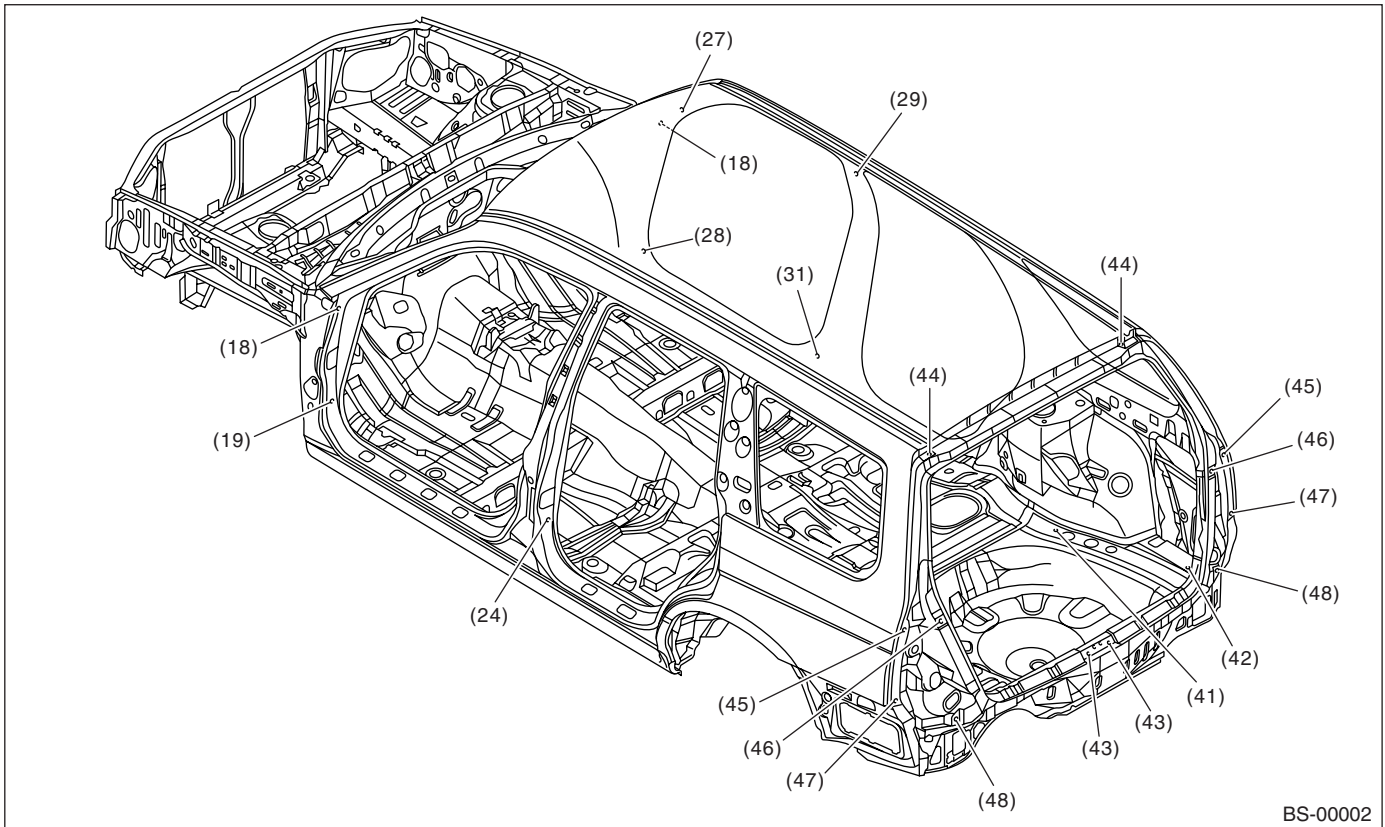
DATUM POINTS

BODY STRUCTURE

- | | | |
|---|---|---|
| (1) Radiator panel gauge hole 6 mm (0.24 in) dia. (Vehicle center) | (14) Fender attaching hole 10 mm (0.39 in) dia. (Symmetrical) | (31) Harness attaching hole 7 mm (0.28 in) dia. (Symmetrical) |
| (2) Radiator attaching hole 12 mm (0.47 in) dia. | (15) Fender attaching hole 10 mm (0.39 in) dia. (Symmetrical) | (32) Trim attaching hole 8.5 mm (0.33 in) dia. (Symmetrical) |
| (3) Headlight attaching hole 7 mm (0.28 in) dia. (Symmetrical) | (16) Front door hinge attaching hole 12 mm (0.47 in) dia. (Symmetrical) | (33) Trim attaching hole 7 mm (0.28 in) dia. (Symmetrical) |
| (4) Frame plate gauge hole 8 mm (0.31 in) dia. (Symmetrical) | (17) Front door hinge attaching hole 12 mm (0.47 in) dia. (Symmetrical) | (34) Harness attaching hole 7 × 7 mm (0.28 × 0.28 in) (Symmetrical) |
| (5) Bumper beam attaching hole 11 mm (0.43 in) dia. (Symmetrical) | (20) Front door switch attaching hole 4.1 mm (0.16 in) dia. (Symmetrical) | (35) Tonneau cover bracket attaching hole 5.5 mm (0.22 in) dia. (Symmetrical) |
| (6) Fender attaching hole 7 mm (0.28 in) dia. (Symmetrical) | (21) Rear door hinge attaching hole 12 mm (0.47 in) dia. (Symmetrical) | (36) Rear strut attaching hole 10 mm (0.39 in) (Symmetrical) |
| (7) Fender attaching hole 9 mm (0.35 in) dia. (Symmetrical) | (22) Rear door hinge attaching hole 12 mm (0.47 in) dia. (Symmetrical) | (37) Floor mat attaching hole 8 mm (0.31 in) dia. |
| (8) Power steering tank attaching hole
RH ATF cooler pipe attaching hole
LH 9 mm (0.35 in) dia. | (23) Front weather strip attaching hole 5.2 mm (0.20 in) dia. (Symmetrical) | (38) Trim attaching hole 9 × 9 mm (0.35 × 0.35 in) (Symmetrical) |
| (9) Fender attaching hole 10 mm (0.39 in) dia. (Symmetrical) | (25) Rear weather strip attaching hole 5.2 mm (0.20 in) dia. (Symmetrical) | (39) Trim attaching hole 8 mm (0.31 in) dia. (Symmetrical) |
| (10) Fender attaching hole 7 mm (0.28 in) dia. (Symmetrical) | (26) Rear door switch attaching hole 4.1 mm (0.16 in) dia. (Symmetrical) | (40) Trim attaching hole 8 mm (0.31 in) dia. (Symmetrical) |
| (11) Modular bracket gauge hole 8 mm (0.31 in) dia. (Vehicle center) | (29) Trim attaching hole 8.5 mm (0.33 in) dia. (Symmetrical) | |
| (12) Front strut attaching hole 9.5 mm (0.37 in) dia. (Symmetrical) | (30) Pad attaching hole 5 mm (0.20 in) dia. (Symmetrical) | |
| (13) Front glass attaching hole LH 6.5 × 10.5 mm (0.26 × 0.41 in) RH 6.5 × 7 mm (0.26 × 0.28 in) | | |

DATUM POINTS

BODY STRUCTURE

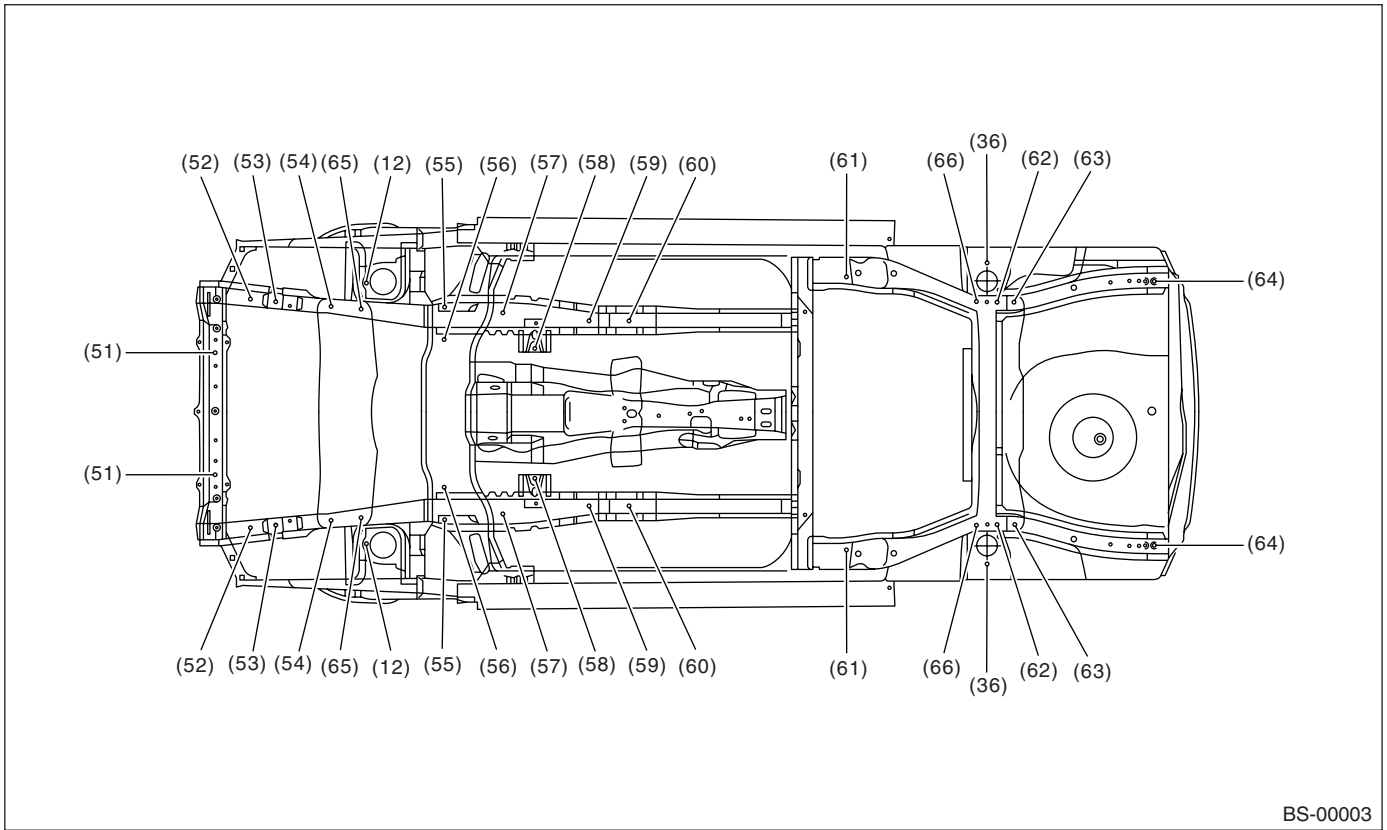


BS-00002

- | | | |
|---|--|--|
| (18) Front weather strip attaching hole 5.2 mm (0.20 in) dia. (Symmetrical) | (31) Harness attaching hole 7 mm (0.28 in) dia. (Symmetrical) | (45) Combination light attaching hole 9.5 mm (0.37 in) dia. (Symmetrical) |
| (19) Trim attaching hole 7 mm (0.28 in) dia. (Symmetrical) | (41) Harness attaching hole 7.5 mm (0.30 in) dia. | (46) Combination light attaching hole 7 mm (0.28 in) dia. (Symmetrical) |
| (24) Trim attaching hole 7 mm (0.28 in) dia. (Symmetrical) | (42) Bumper beam attaching hole 12 mm (0.47 in) dia. | (47) Combination light attaching hole 8 × 15 mm (0.31 × 0.59 in) (Symmetrical) |
| (27) Front pillar gauge hole 12 mm (0.47 in) dia. (Symmetrical) | (43) Striker gauge hole 5 mm (0.20 in) dia. (Symmetrical) | (48) Bumper bracket attaching hole 7 mm (0.28 in) dia. (Symmetrical) |
| (28) Insulator attaching hole 8 mm (0.31 in) dia. (Symmetrical) | (44) Harness attaching hole 7 × 7 mm (0.28 × 0.28 in) dia. (Symmetrical) | |
| (29) Trim attaching hole 8.5 mm (0.33 in) dia. (Symmetrical) | | |

DATUM POINTS

BODY STRUCTURE

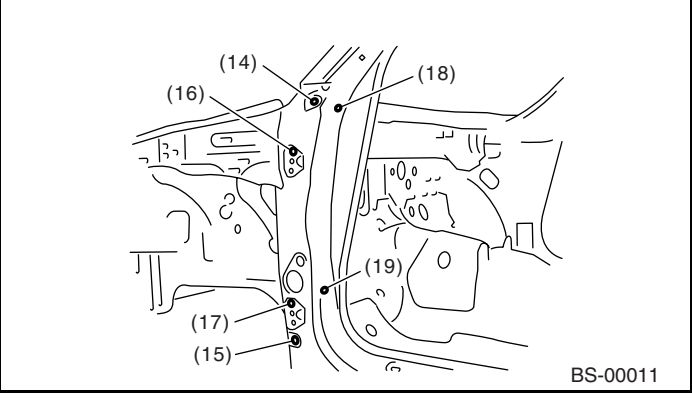
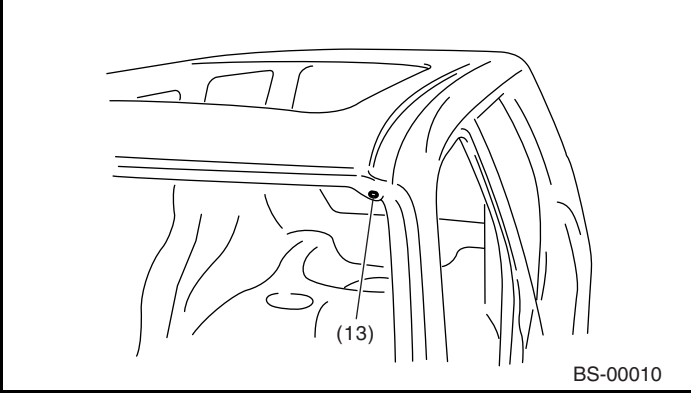
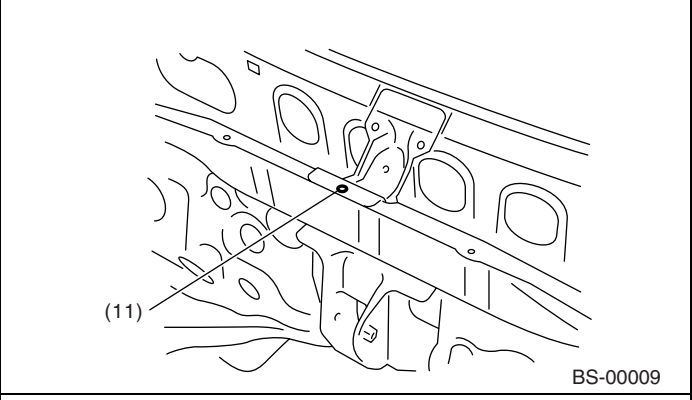
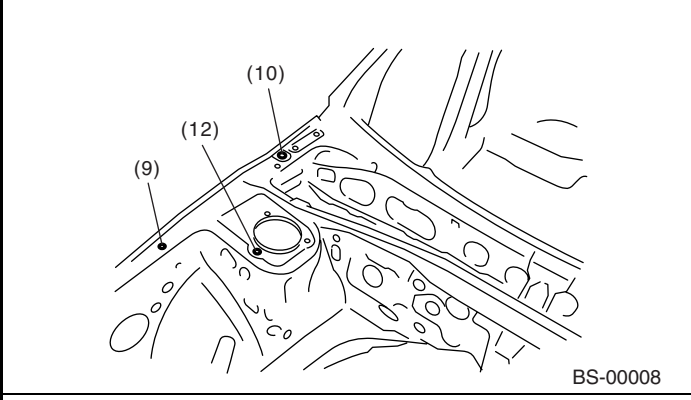
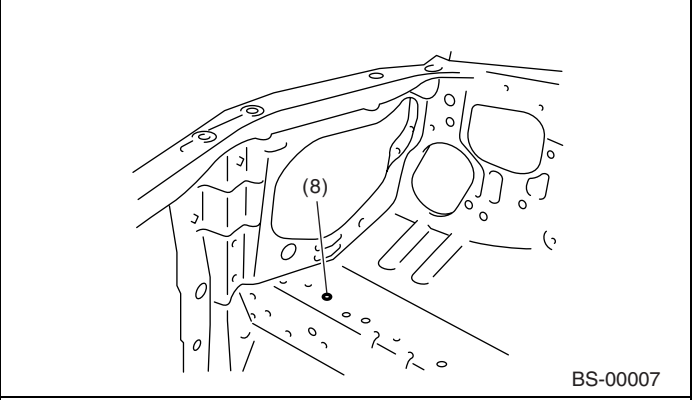
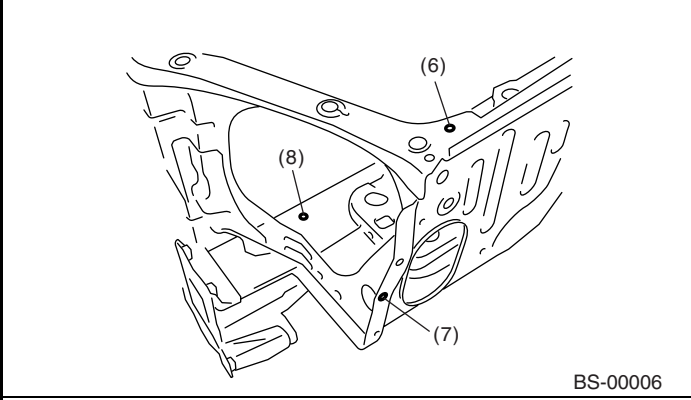
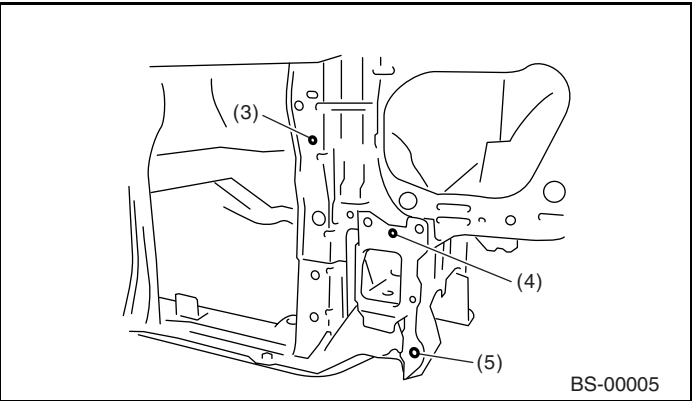
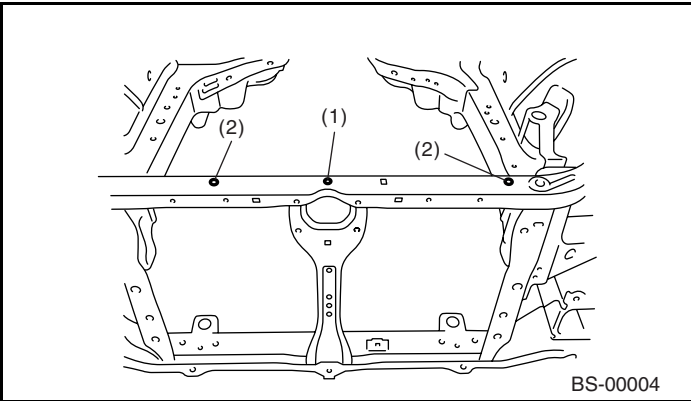


BS-00003

- | | | |
|---|--|---|
| (12) Front strut attaching hole 9.5 mm (0.37 in) dia. (Symmetrical) | (56) Transverse link attaching hole 16 mm (0.63 in) dia. (Symmetrical) | (62) Rear cross member gauge hole 16 mm (0.63 in) dia. (Symmetrical) |
| (36) Rear strut attaching hole 10 mm (0.39 in) dia. (Symmetrical) | (57) Sub-frame attaching hole 16 mm (0.63 in) dia. (Symmetrical) | (63) Rear cross member attaching hole 12 mm (0.47 in) dia. (Symmetrical) |
| (51) Radiator lower frame gauge hole 12 mm (0.47 in) dia. (Symmetrical) | (58) Transmission cross member attaching hole 14 mm (0.55 in) dia. (Symmetrical) | (64) Rear bumper beam attaching hole RH 15 mm (0.57 in) dia. LH 19 × 15 mm (0.75 × 0.59 in) |
| (52) Side frame gauge hole 20 mm (0.79 in) dia. (Symmetrical) | (59) Rear side frame gauge hole 15 mm (0.59 in) dia. (Symmetrical) | (65) Front cross member attaching hole 12.4 mm (0.49 in) dia. (Symmetrical) |
| (53) Sub-frame attaching hole 16 mm (0.63 in) dia. (Symmetrical) | (60) Rear side frame gauge hole 18 mm (0.71 in) dia. (Symmetrical) | (66) Rear cross member attaching hole 16 mm (0.63 in) dia. (Symmetrical) |
| (54) Front cross member attaching hole 12.4 mm (0.49 in) dia. (Symmetrical) | (61) Rear differential attaching hole 16 mm (0.63 in) dia. (Symmetrical) | |
| (55) Transverse link attaching hole 17 mm (0.69 in) dia. (Symmetrical) | | |

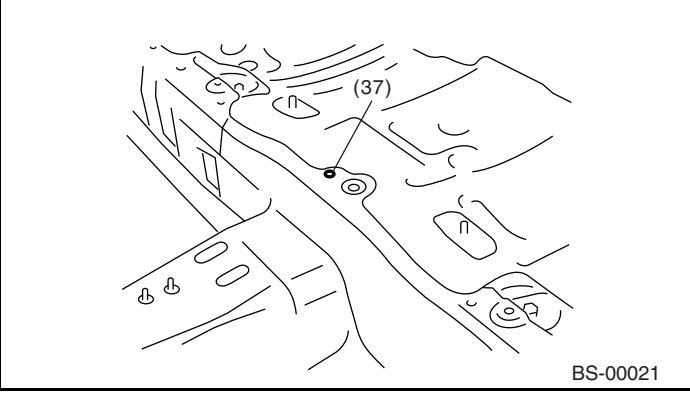
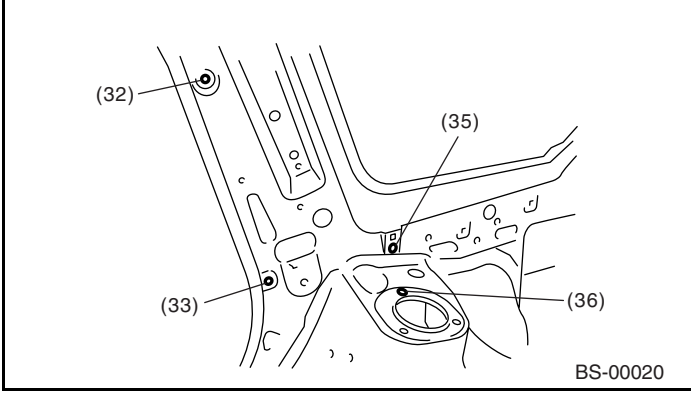
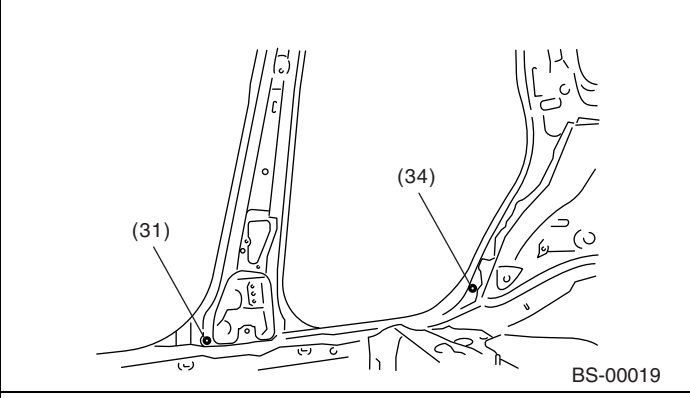
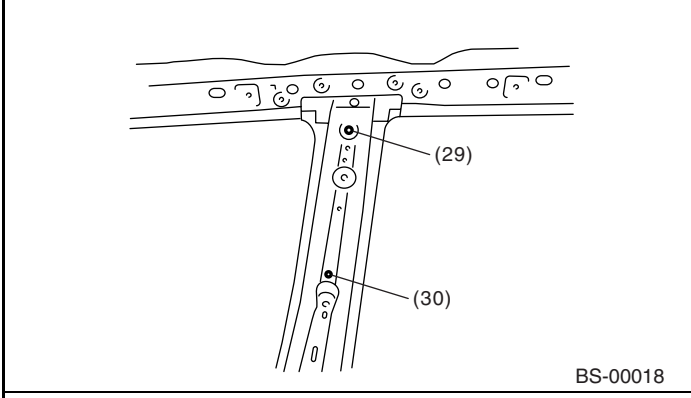
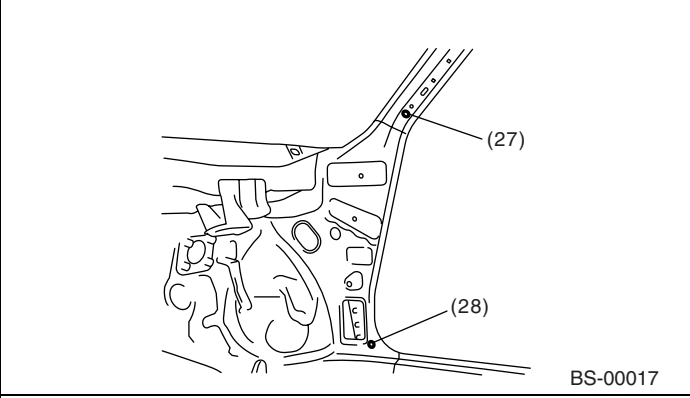
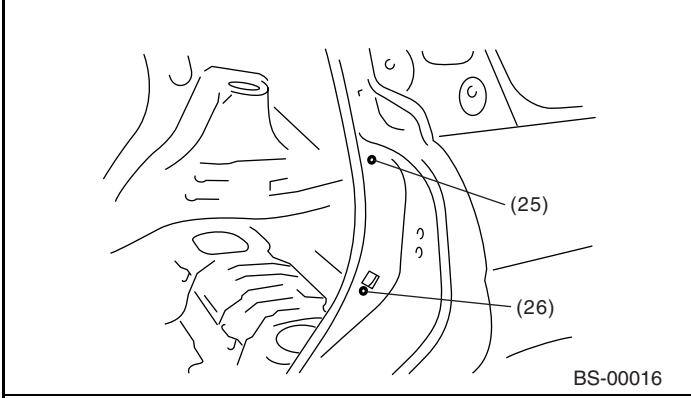
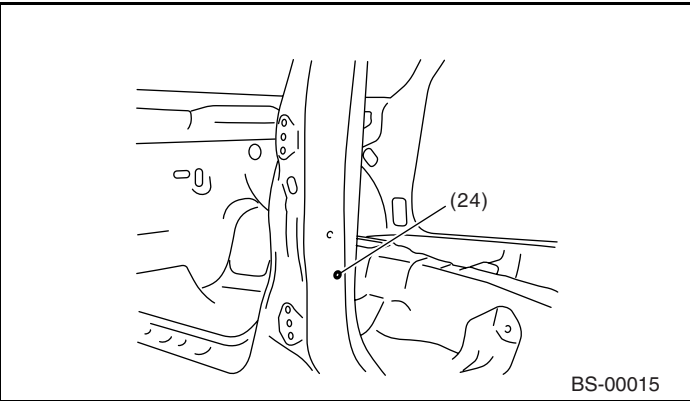
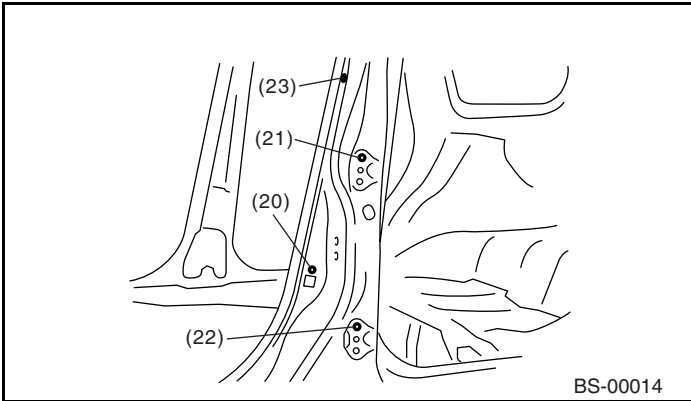
DATUM POINTS

BODY STRUCTURE



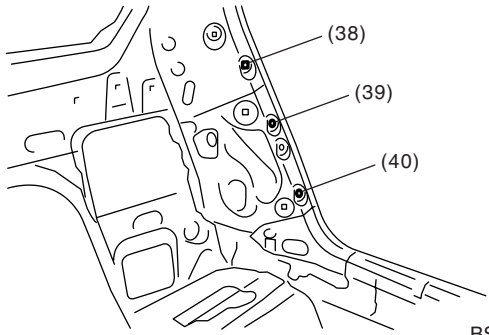
DATUM POINTS

BODY STRUCTURE

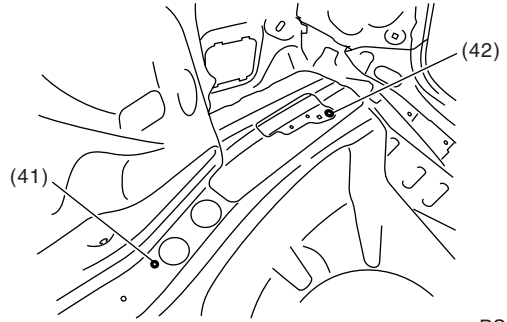


DATUM POINTS

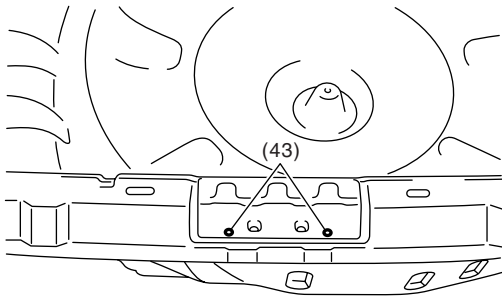
BODY STRUCTURE



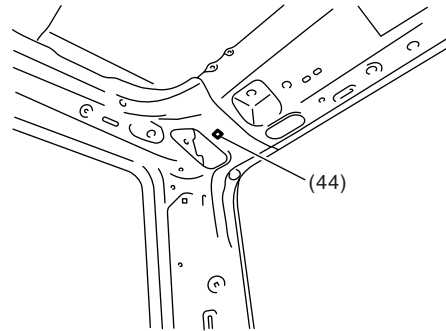
BS-00022



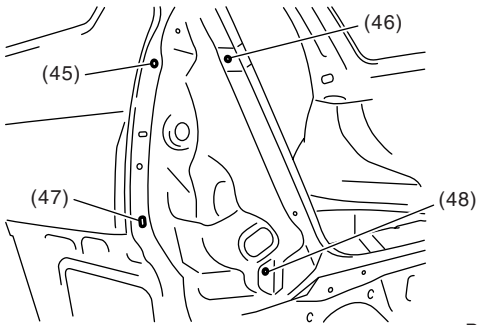
BS-00023



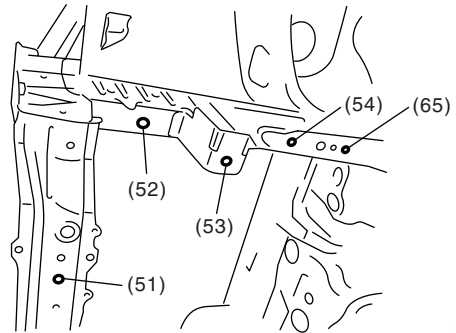
BS-00024



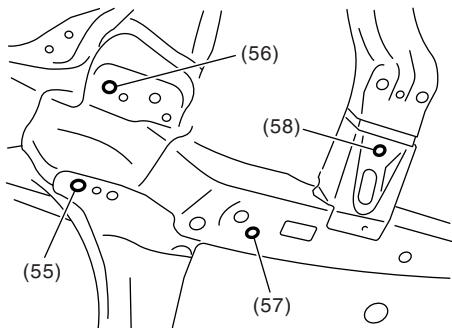
BS-00025



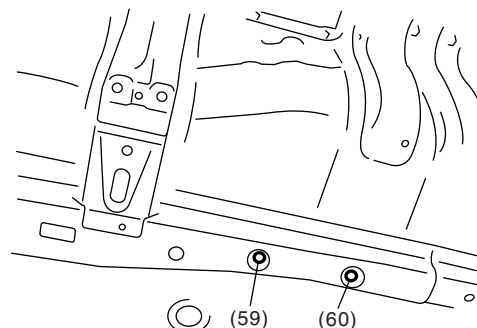
BS-00026



BS-00027



BS-00028



BS-00029

DATUM POINTS

BODY STRUCTURE

