

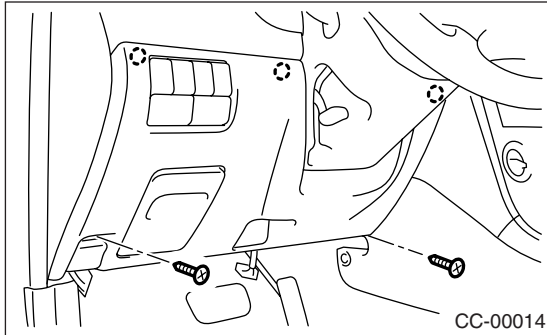
CRUISE CONTROL MAIN SWITCH

CRUISE CONTROL SYSTEM

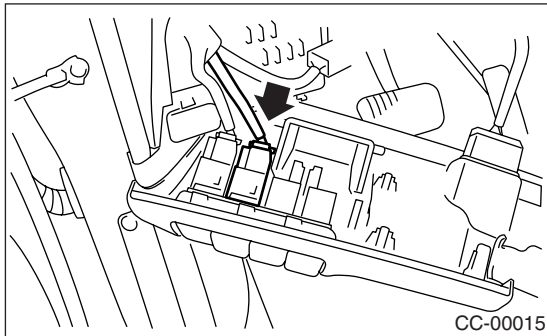
4. Cruise Control Main Switch

A: REMOVAL

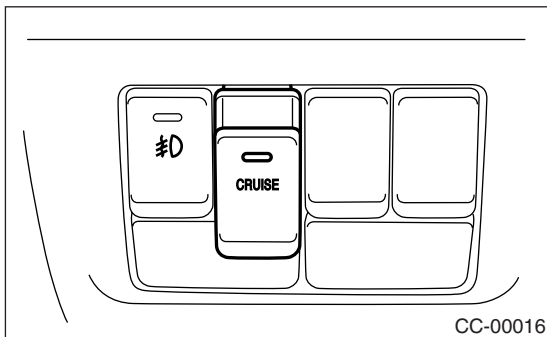
- 1) Disconnect the ground cable from battery.
- 2) Remove the screws and clip from instrument panel lower cover.
- 3) Remove the instrument panel lower cover.



- 4) Disconnect the connector from cruise control main switch.



- 5) Remove the main switch by pushing it outward.

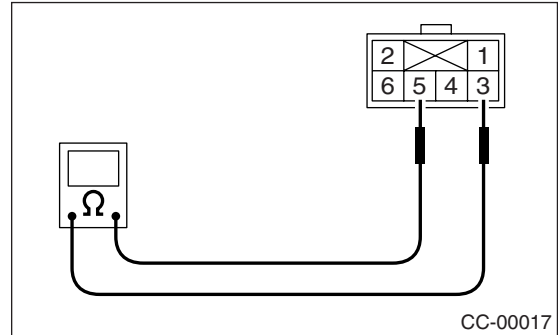


B: INSTALLATION

Install in the reverse order of removal.

C: INSPECTION

Measure the cruise control main switch resistance.



Switch position	Terminal No.	Standard
OFF (released)	3 and 5	More than 1 M Ω
ON (depressed)	3 and 5	Less than 1 Ω

If NG, replace the cruise control main switch.