

## 2. Horn System

### A: WIRING DIAGRAM

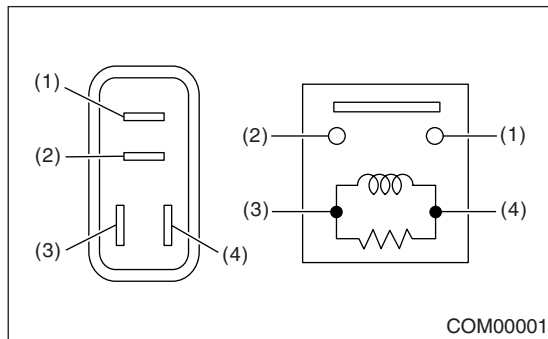
#### 1. HORN

<Ref. to WI-106, SCHEMATIC, Horn System.>

### B: INSPECTION

#### 1. HORN RELAY

Measure the horn relay resistance between terminals (indicated in table below) when connecting terminal No. 4 to battery positive terminal and terminal No. 3 to battery negative terminal.



Current	Terminal No.	Standard
Flow	1 and 2	Less than 1Ω
No Flow		More than 1MΩ