

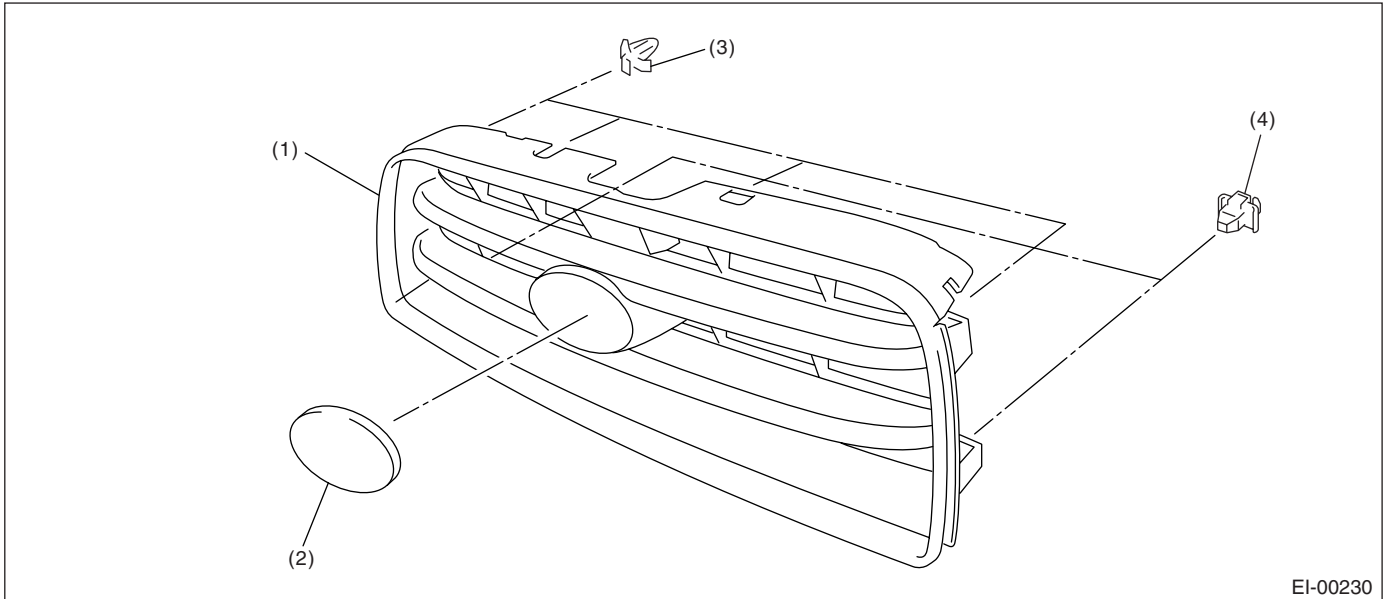
# GENERAL DESCRIPTION

EXTERIOR/INTERIOR TRIM

## 1. General Description

### A: COMPONENT

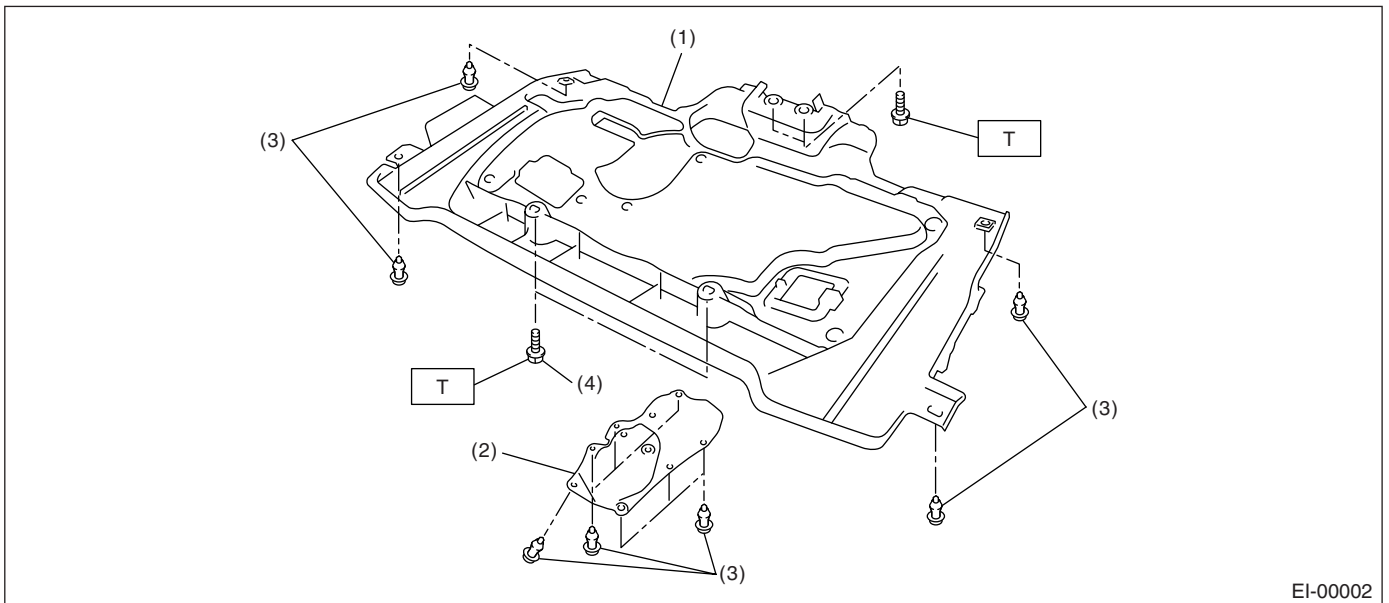
#### 1. FRONT GRILLE



EI-00230

- (1) Front grille
- (2) Front grille emblem
- (3) Clip
- (4) Hook

#### 2. UNDER COVER

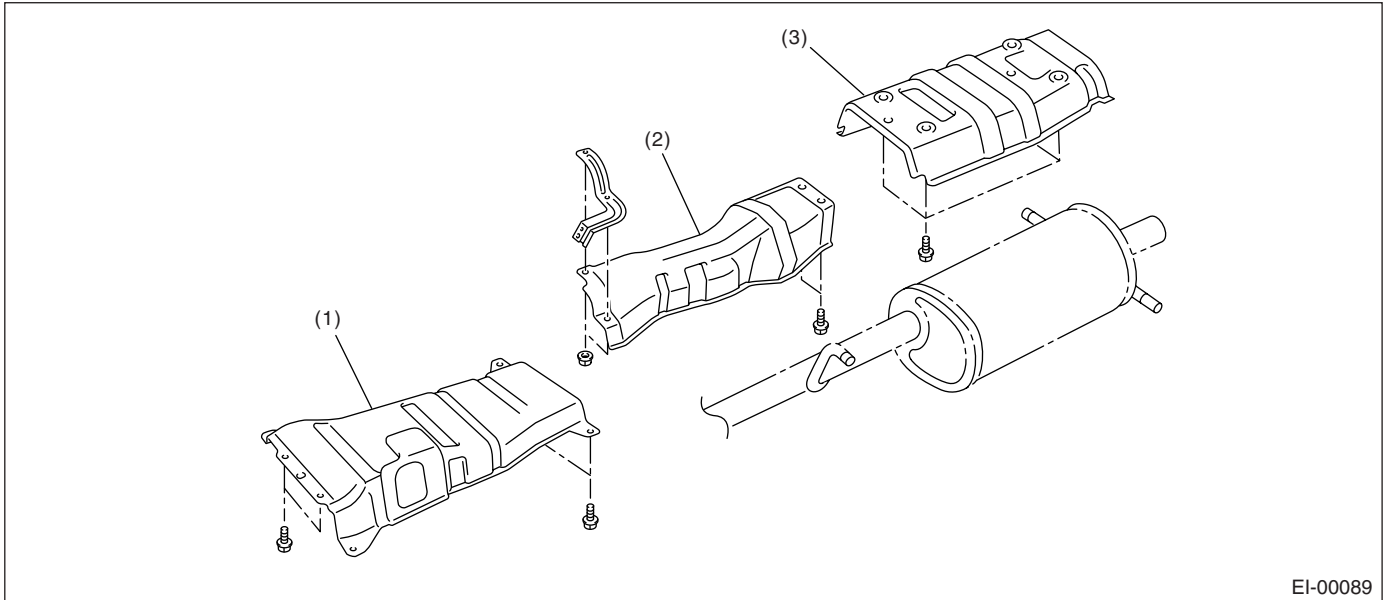


EI-00002

- (1) Under cover
- (2) Service hole cover
- (3) Clip
- (4) Bolt

**Tightening torque: N·m (kgf·m, ft·lb)**  
**T: 14 (1.42, 10.3)**

## 3. HEAT SHIELD COVER



EI-00089

(1) Front heat shield cover

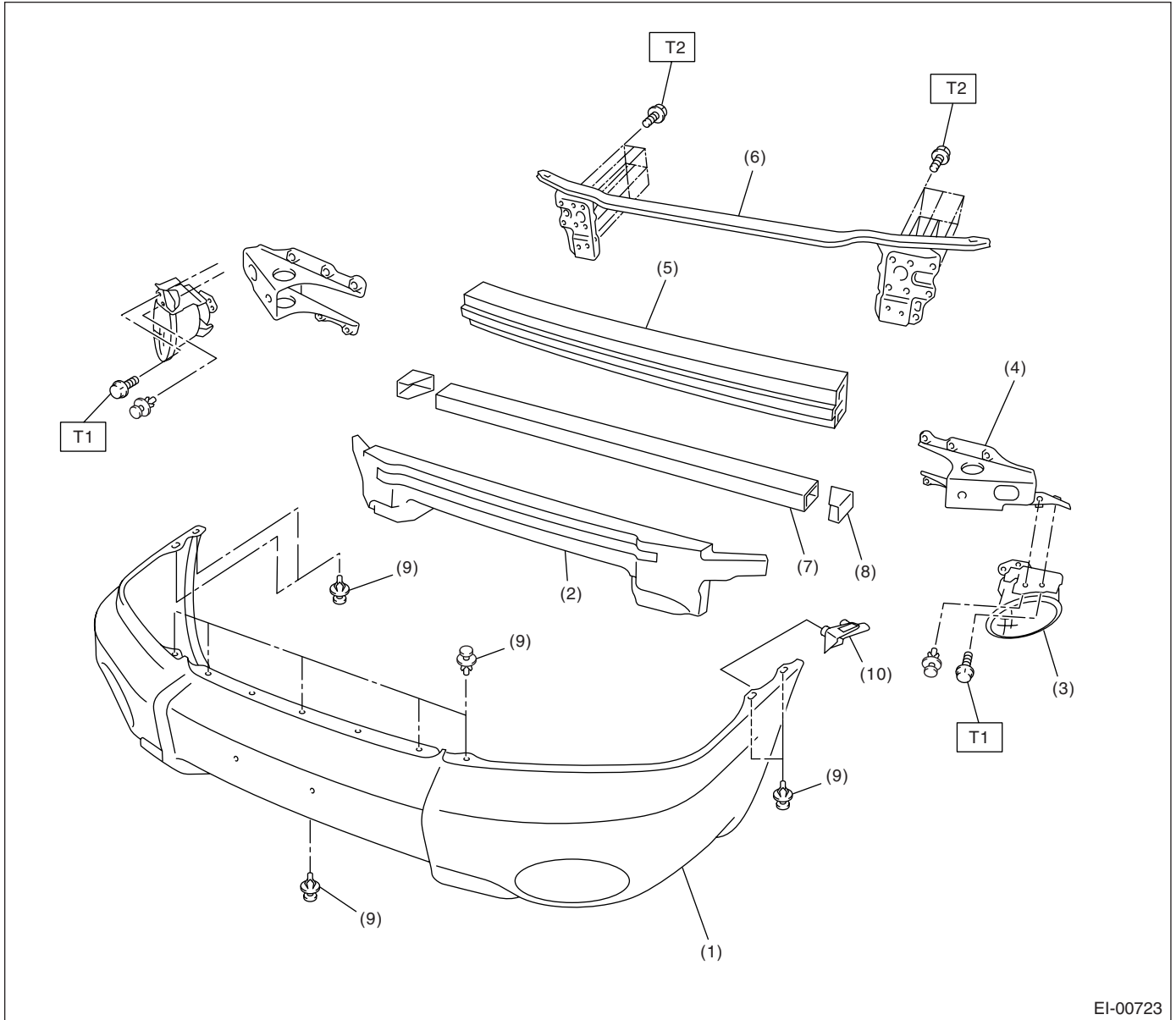
(2) Center heat shield cover

(3) Rear heat shield cover

# GENERAL DESCRIPTION

EXTERIOR/INTERIOR TRIM

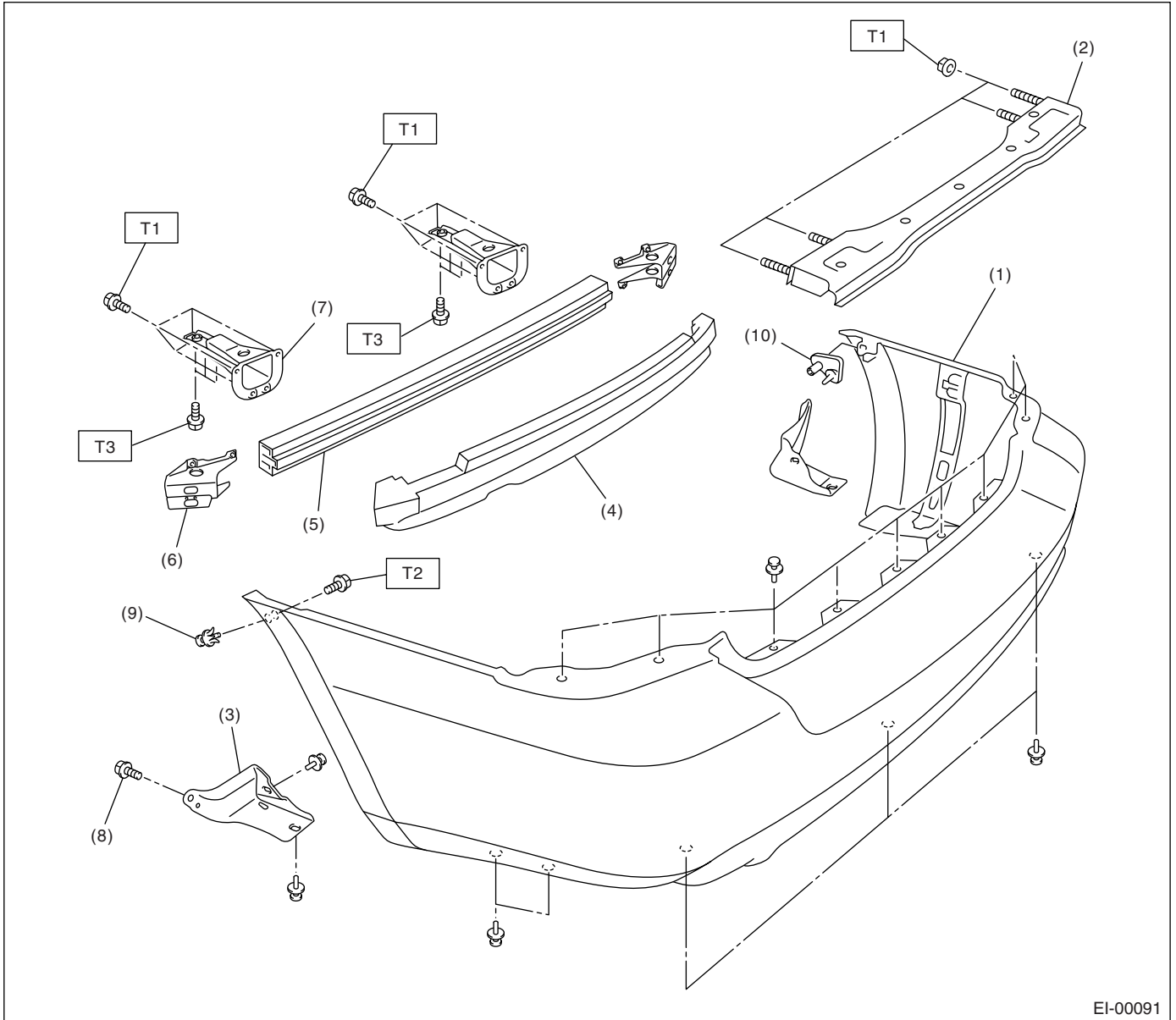
## 4. FRONT BUMPER



- |                  |                              |
|------------------|------------------------------|
| (1) Bumper face  | (6) Upper beam               |
| (2) E/A form     | (7) Lower beam               |
| (3) Fog light    | (8) Lower beam reinforcement |
| (4) Side bracket | (9) Clip                     |
| (5) Main beam    | (10) Slider side front       |

**Tightening torque: N·m (kgf·m, ft·lb)**  
**T1: 32 (3.3, 24)**  
**T2: 69 (7.0, 51)**

## 5. REAR BUMPER



EI-00091

- |                       |                         |
|-----------------------|-------------------------|
| (1) Bumper face       | (6) Side bracket        |
| (2) Bumper upper beam | (7) Bumper stay         |
| (3) Bumper side cover | (8) Bolt                |
| (4) E/A form          | (9) Clip                |
| (5) Main beam         | (10) Bracket side front |

**Tightening torque: N·m (kgf·m, ft·lb)**

**T1: 33 (3.4, 24)**

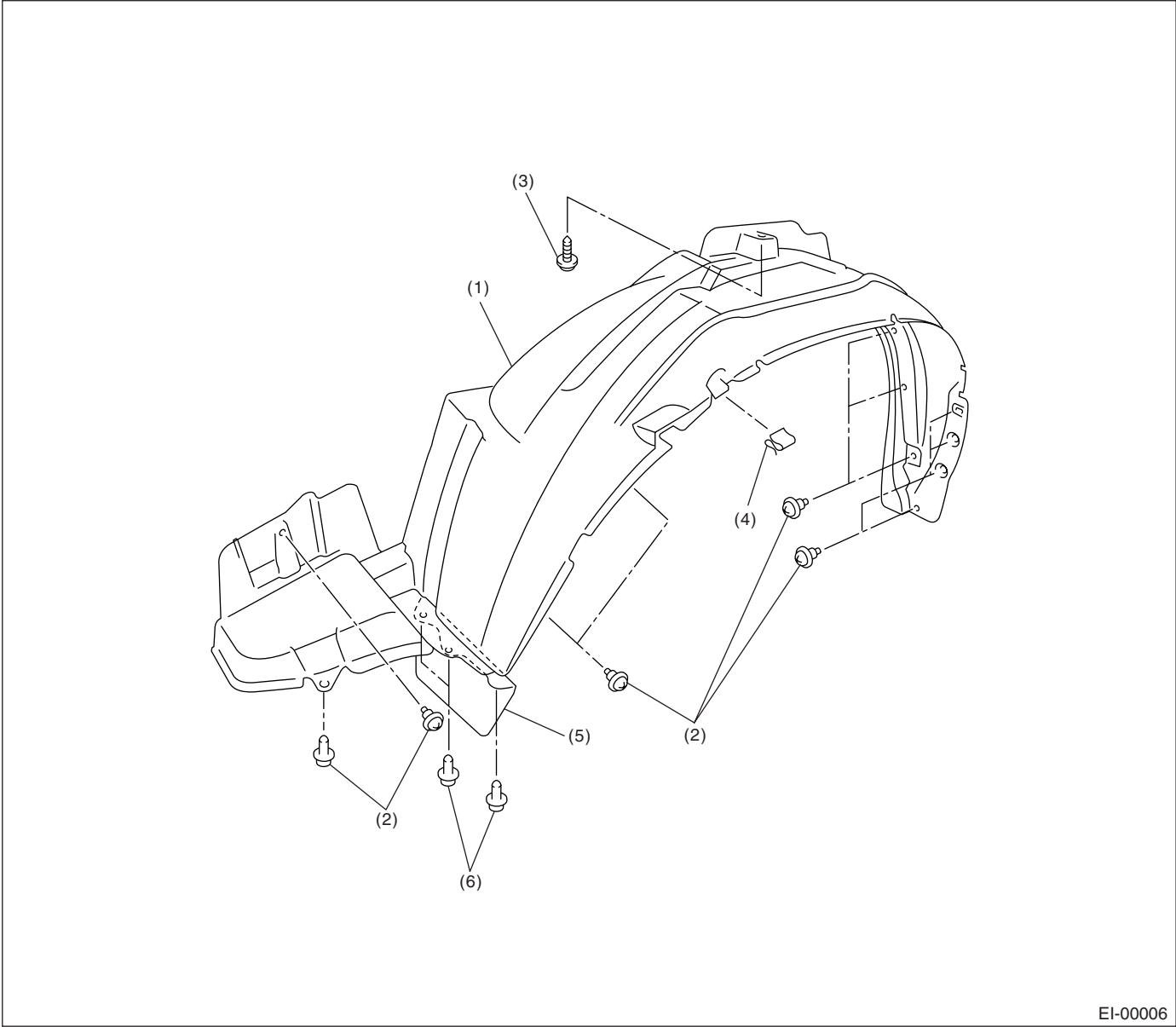
**T2: 7.5 (0.76, 5.53)**

**T3: 95 (9.69, 70.0)**

# GENERAL DESCRIPTION

EXTERIOR/INTERIOR TRIM

## 6. MUD GUARD



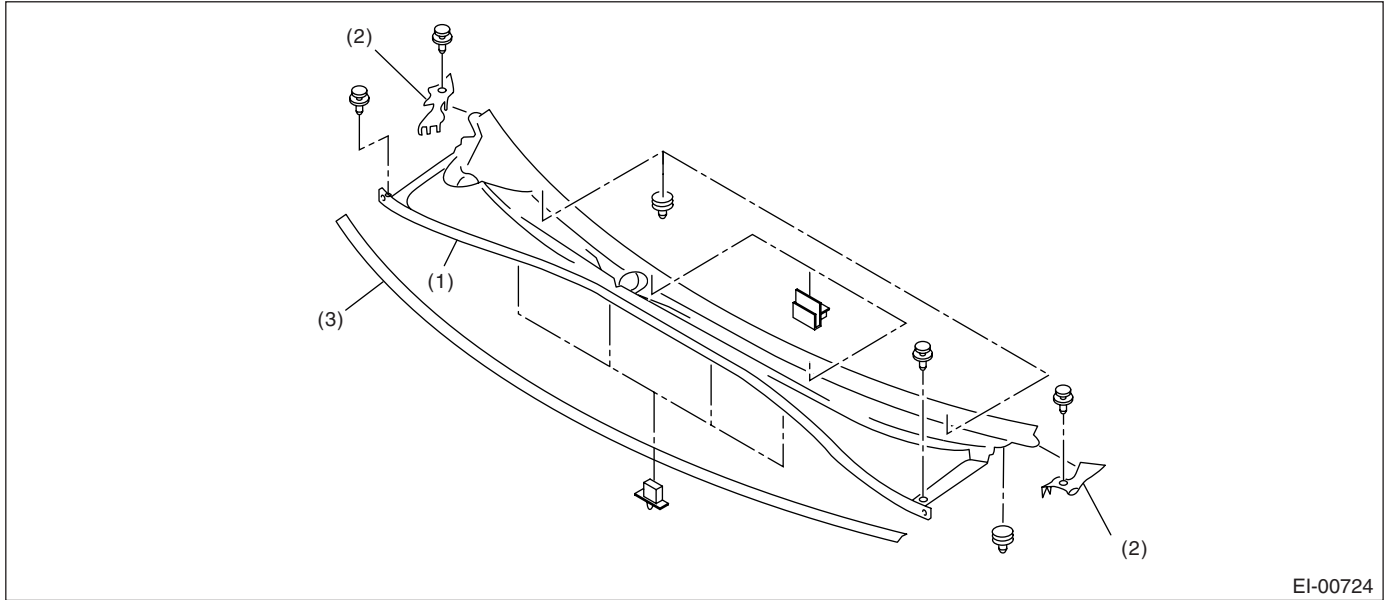
EI-00006

(1) Mud guard  
(2) Clip

(3) Screw  
(4) Clip (S shape)

(5) Air flap  
(6) Clip (Flap)

## 7. COWL PANEL



(1) Cowl panel

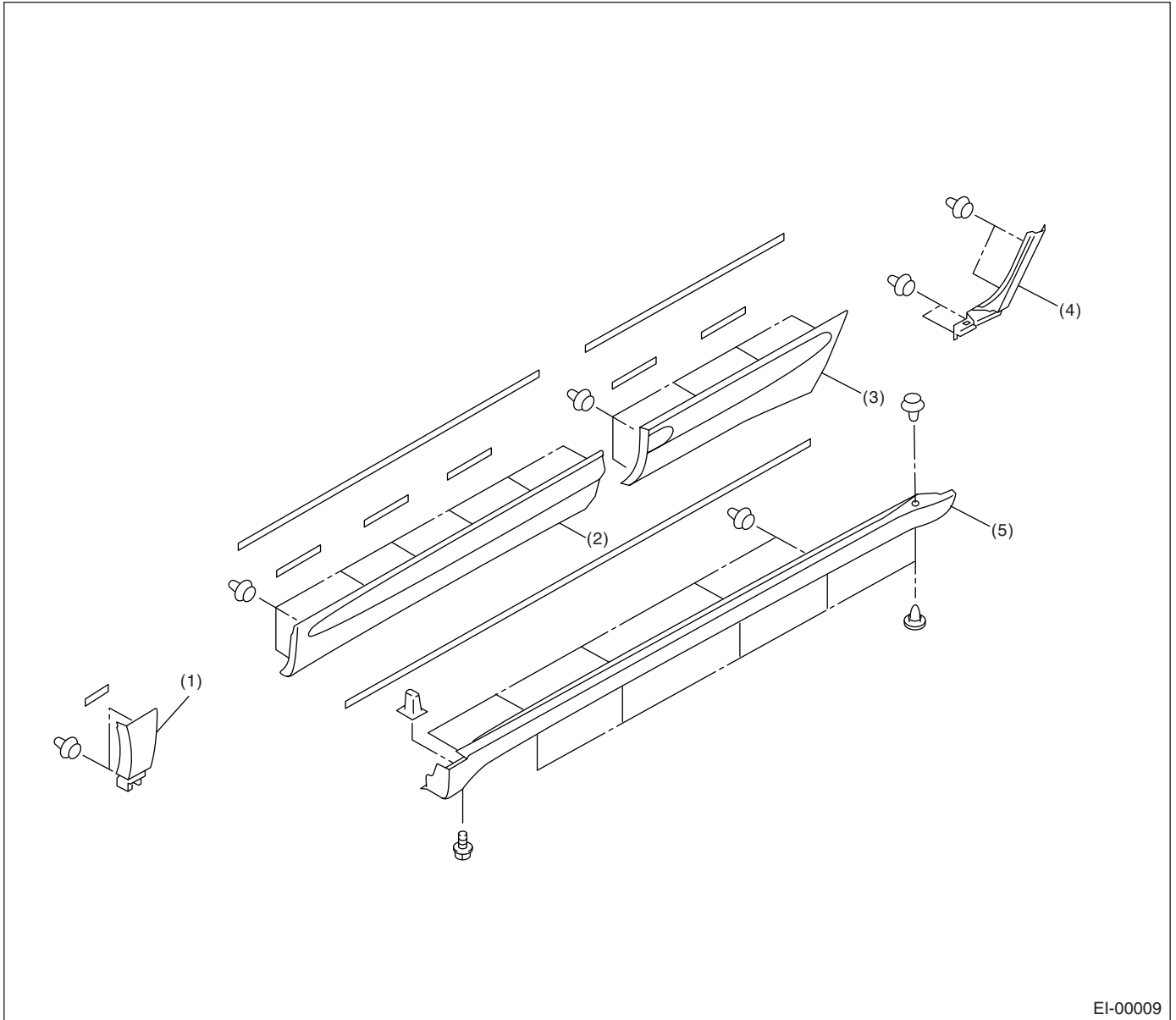
(2) Cowl side panel

(3) Seal

# GENERAL DESCRIPTION

EXTERIOR/INTERIOR TRIM

## 8. SIDE SILL SPOILER



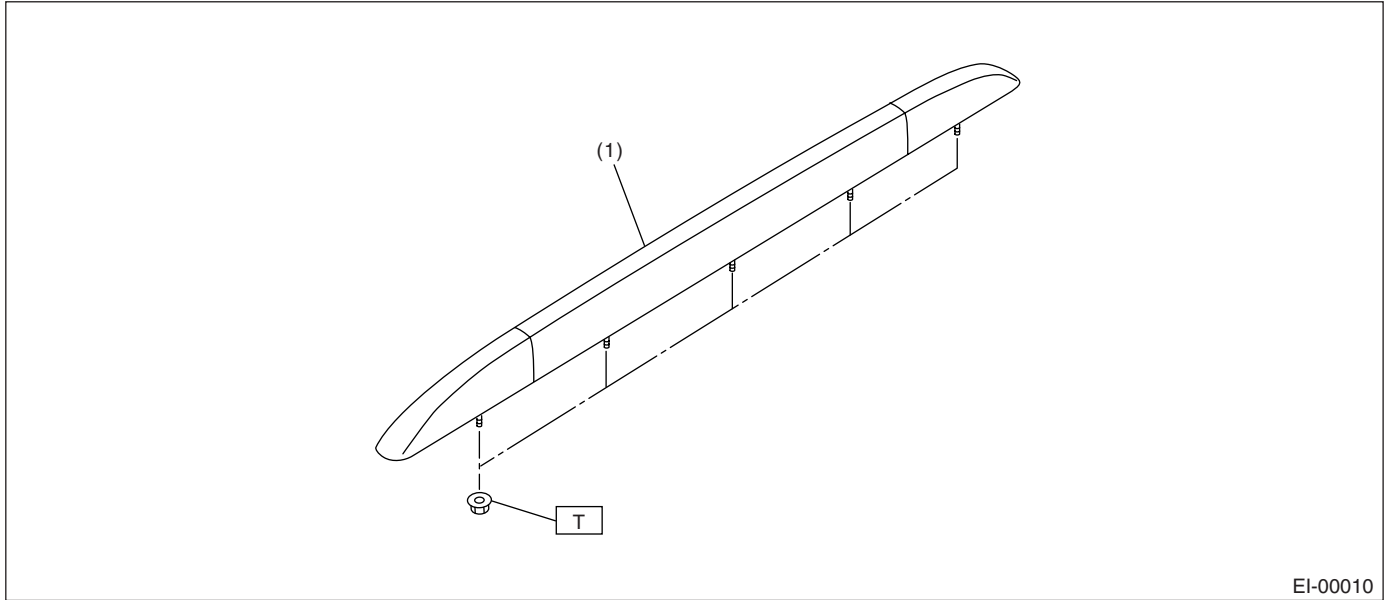
EI-00009

(1) Side garnish (Front fender)  
(2) Side garnish (Front door)

(3) Side garnish (Rear door)  
(4) Side garnish (Rear quarter)

(5) Side garnish (Side sill)

## 9. ROOF RAIL



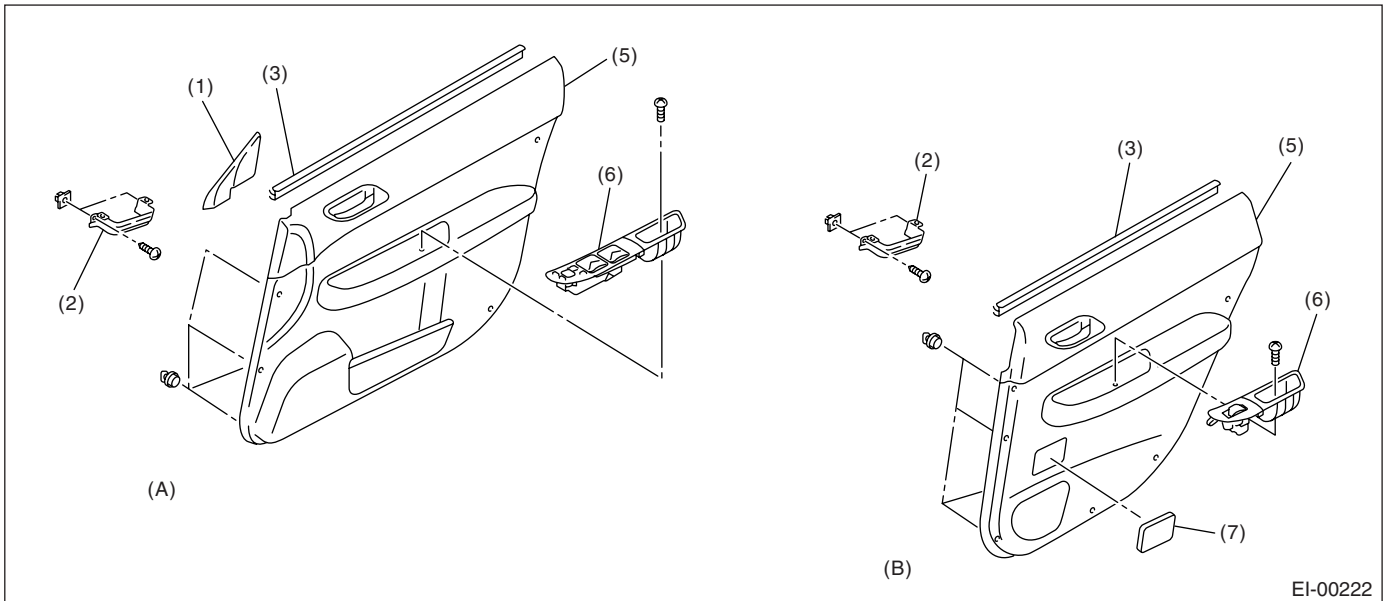
EI-00010

(1) Roof rail

**Tightening torque: N·m (kgf·m, ft·lb)**

**T: 7.5 (0.76, 5.53)**

## 10. DOOR TRIM



EI-00222

(A) Front door trim

(B) Rear door trim

- (1) Gusset cover
- (2) Bracket
- (3) Weatherstrip upper

- (4) Clip
- (5) Trim panel
- (6) Power window switch cover

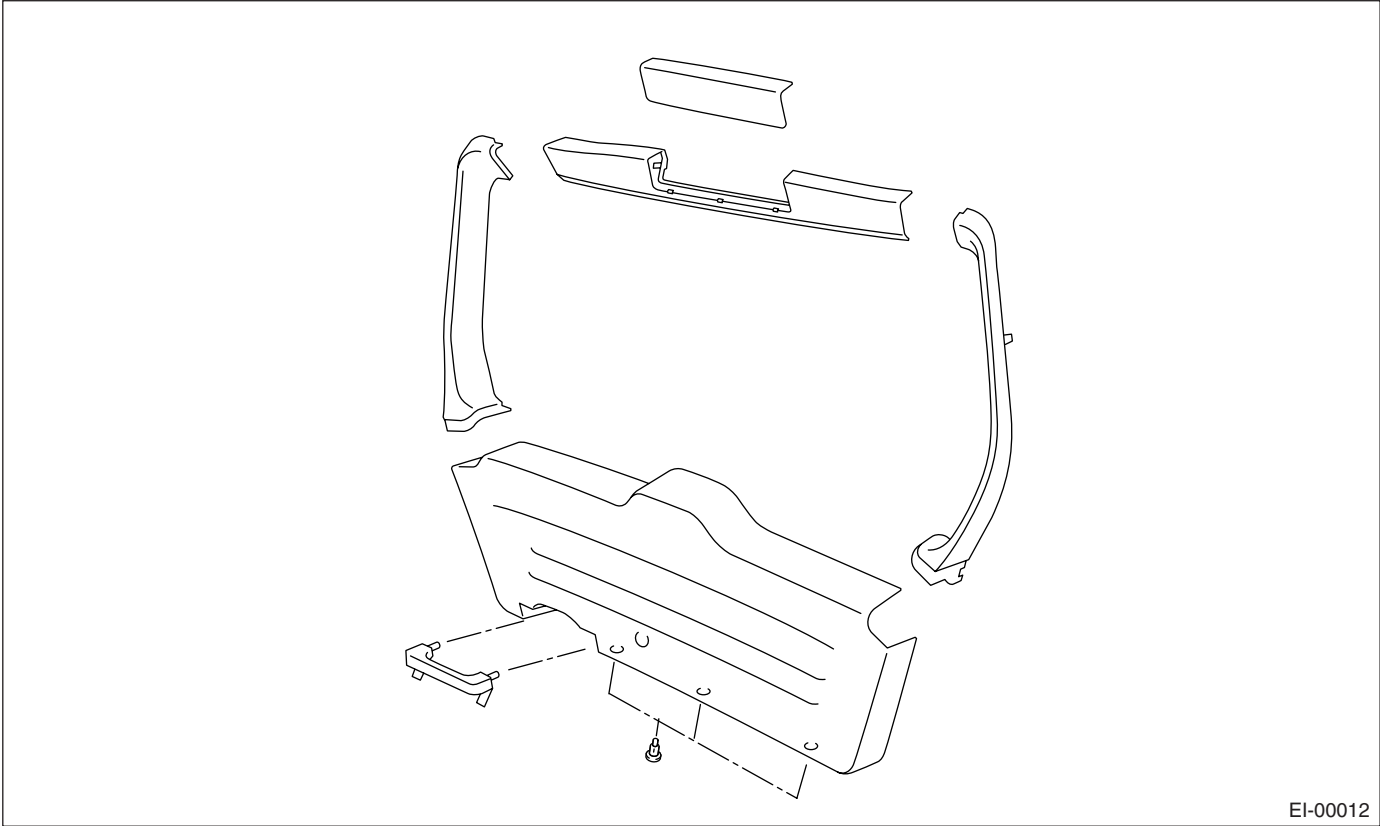
- (7) Cover



# GENERAL DESCRIPTION

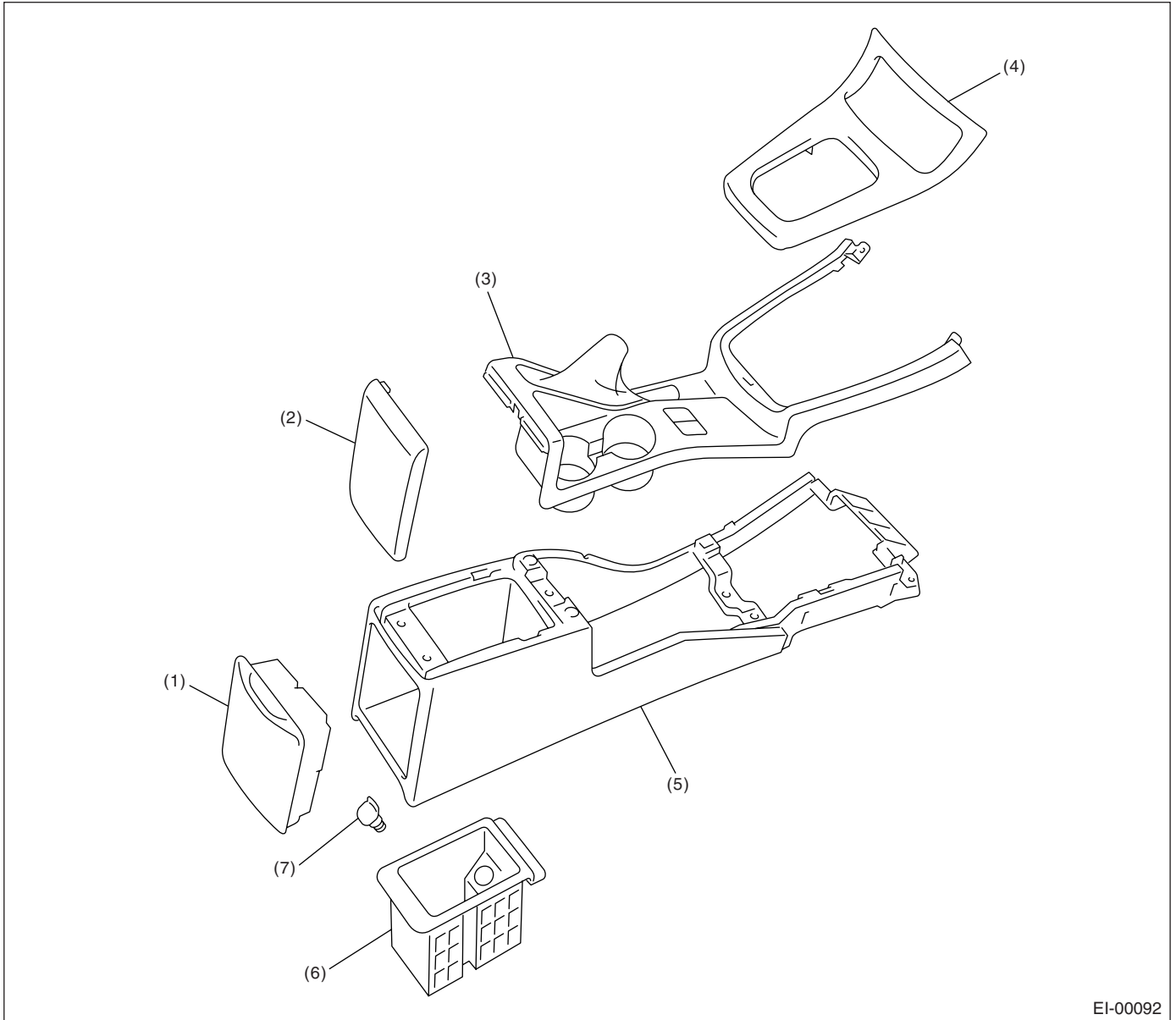
EXTERIOR/INTERIOR TRIM

## 11.REAR GATE TRIM



EI-00012

## 12. CONSOLE BOX



EI-00092

- (1) Rear cup holder
- (2) Console lid
- (3) Console cover

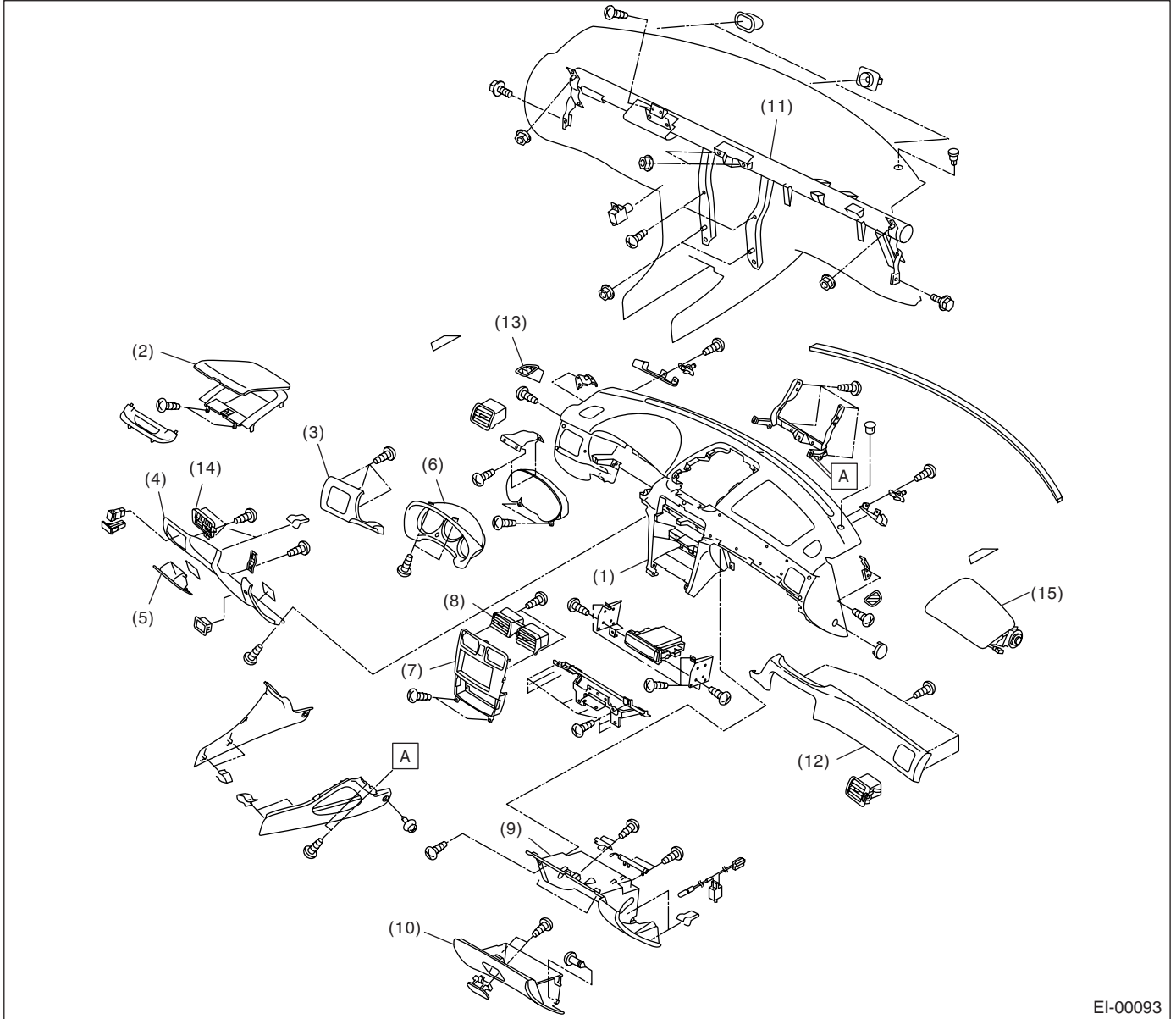
- (4) Console front cover
- (5) Console box
- (6) Console pocket

- (7) Accessory socket

# GENERAL DESCRIPTION

EXTERIOR/INTERIOR TRIM

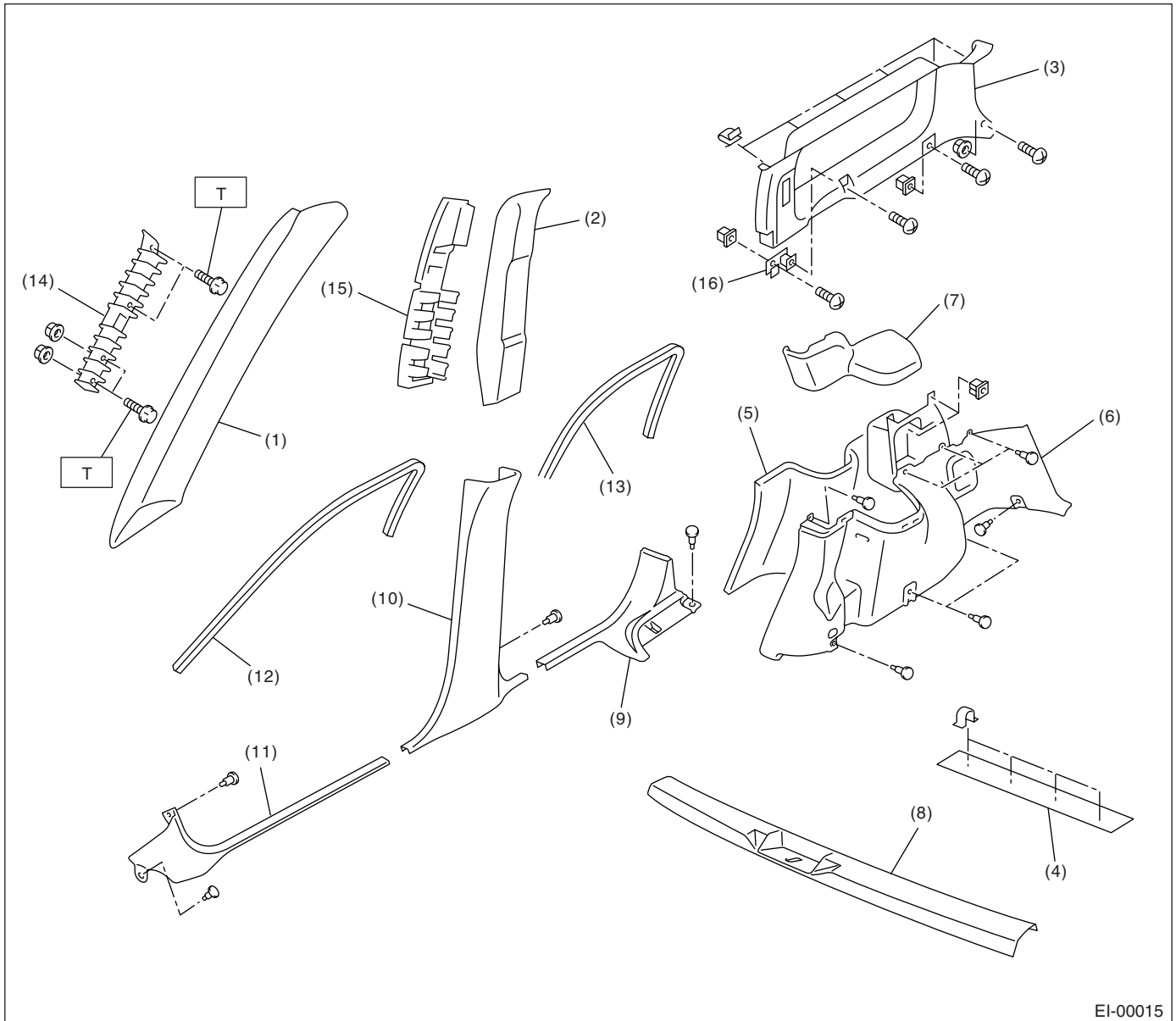
## 13. INSTRUMENT PANEL



EI-00093

- |  |                     |                                  |
|--|---------------------|----------------------------------|
| (1) Pad & frame  | (6) Meter visor     | (12) Grille cover                |
| (2) Center compartment (Model without navigation system) | (7) Center panel    | (13) Air vent grille (Defroster) |
| (3) Grille cover   | (8) Air vent grille | (14) Switch panel                |
| (4) Lower cover  | (9) Glove box panel | (15) Passenger's airbag module   |
| (5) Coin box   | (10) Glove box lid  |                                  |
|  | (11) Steering beam  |                                  |

## 14.INNER TRIM



EI-00015

- |                              |                               |                              |
|------------------------------|-------------------------------|------------------------------|
| (1) Front pillar upper trim  | (8) Rear skirt trim           | (15) Center pillar inner rib |
| (2) Center pillar upper trim | (9) Side sill rear cover      | (16) Bracket                 |
| (3) Rear pillar upper trim   | (10) Center pillar lower trim |                              |
| (4) Rear rail trim           | (11) Side sill front cover    |                              |
| (5) Insulator                | (12) Front garnish            |                              |
| (6) Rear quarter lower trim  | (13) Rear garnish             |                              |
| (7) Strut cap                | (14) Front pillar inner rib   |                              |

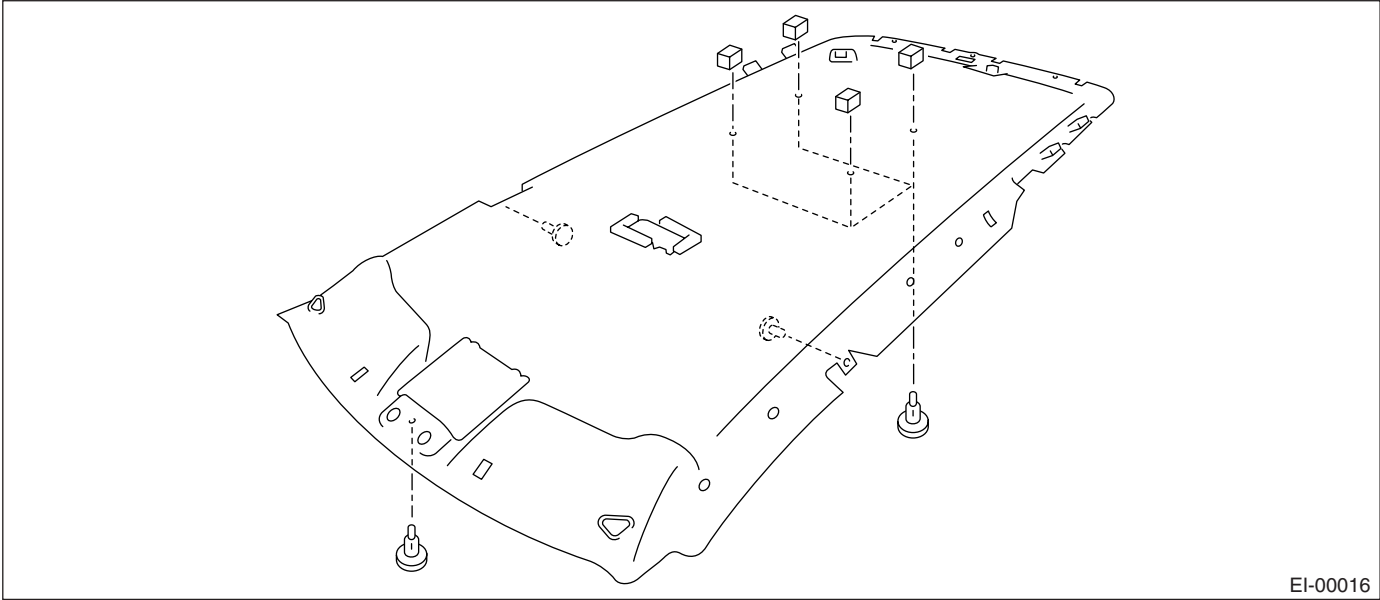
**Tightening torque: N·m (kgf·m, ft·lb)**

**T: 2 (0.20, 1.46)**

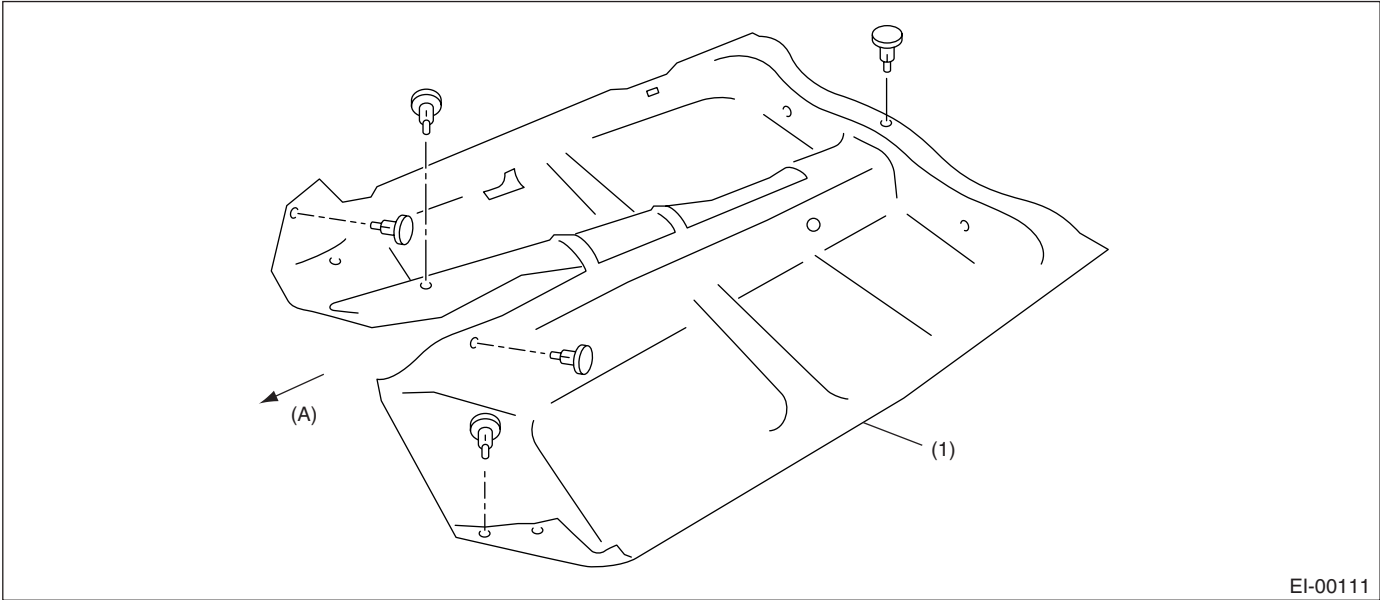
# GENERAL DESCRIPTION

EXTERIOR/INTERIOR TRIM

## 15. ROOF TRIM



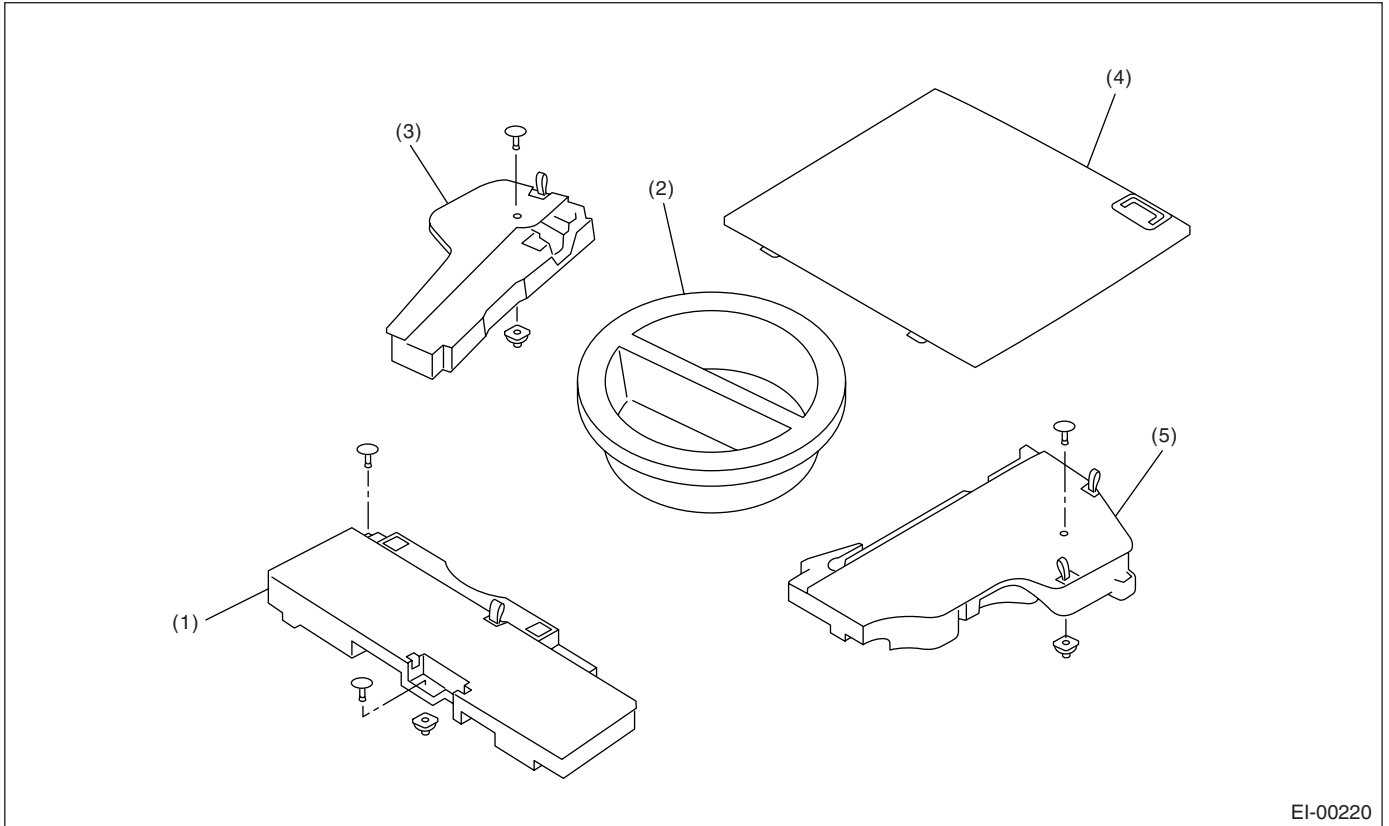
## 16. FLOOR MAT



(A) Vehicle front

(1) Floor mat

## 17.LUGGAGE FLOOR MAT



EI-00220

(1) Front floor mat  
(2) Floor box

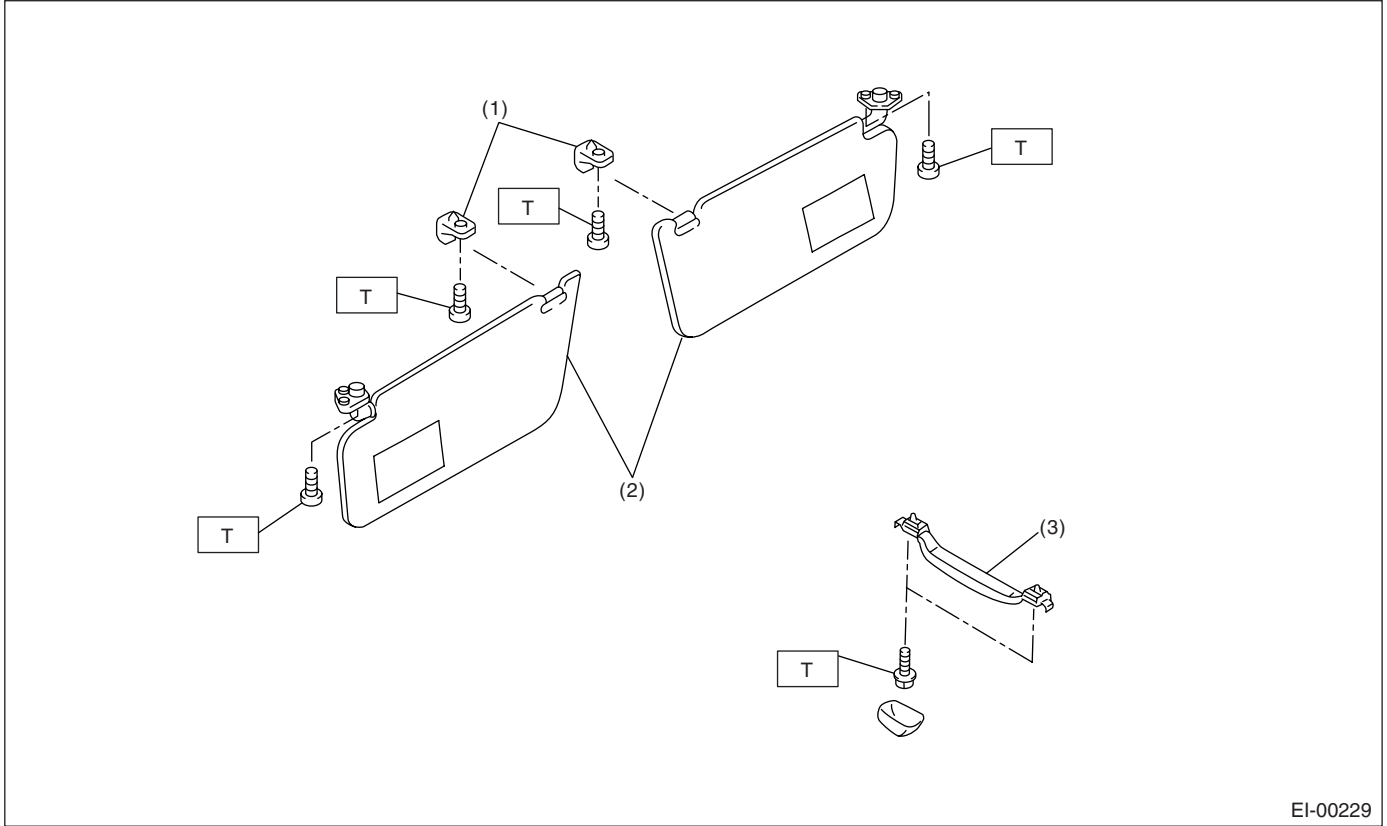
(3) Side floor mat RH  
(4) Center floor mat

(5) Side floor mat LH

# GENERAL DESCRIPTION

EXTERIOR/INTERIOR TRIM

## 18.INNER ACCESSORIES



EI-00229

- (1) Hook
- (2) Sun visor

- (3) Assist grip (Retractable)

**Tightening torque: N·m (kgf·m, ft·lb)**

**T: 2 (0.20, 1.46)**

## B: PREPARATION TOOL

TOOL NAME	REMARKS
Clip remover	Used for removal of trim.
Clip clamp pliers	Used for removal of various clips and clamps.