

9. Side Garnish

A: REMOVAL

1) Incise the edge of garnish using cutter, and then remove the garnish with pulling towards you by hands.

NOTE:

Remove the garnish carefully. Forced removal of garnish may damage garnish and clips.

2) Adhere the masking tape around area where the double-sided tape of side garnish was adhere.

3) Apply the solvent (SUMITOMO 3M 4000 or equivalent) to the area where double-sided tape was adhered.

NOTE:

- Wipe off immediately when the solvent is touched on the garnish surface.
- Do not use the solvent to the body which repaired with lacquer paint.

4) Cover the area where the solvent applied using plastic wrap, and then heat the double-sided tape was adhered for 5 to 15 minutes in 40 to 60°C (104 to 140°F) using heat lamp.

5) Remove the double-sided tape of side garnish side tape by following above step 3) and 4).

NOTE:

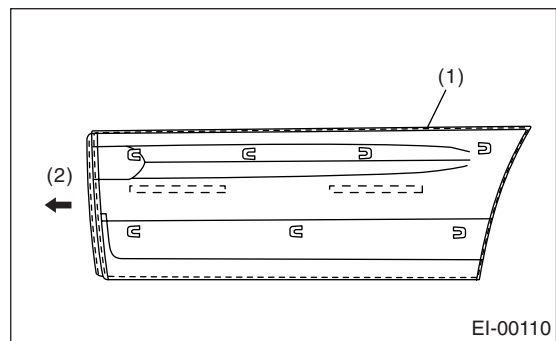
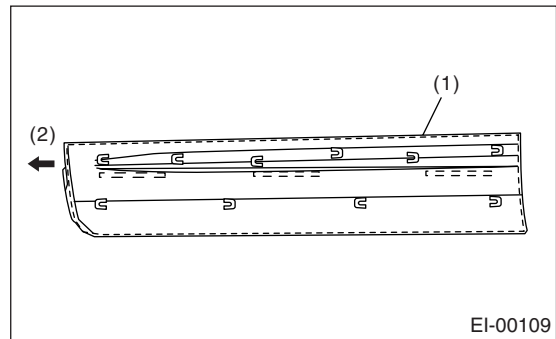
When the double-sided tape is not removed completely using above steps, use the scraper.

B: INSTALLATION

1) Apply the PRIMER (SUMITOMO 3M K-500 or equivalent) widely to the slightly larger area where double-sided tape was adhered, and then adhere the double-sided tape (SUMITOMO 3M 5305 or equivalent).

NOTE:

Use 5 mm (0.2 in) width and 1 mm (0.04 in) thickness double-sided tape.



- (1) Double-sided tape
- (2) Front side

2) Heat the vehicle body to 40 to 60°C (104 to 140°F) and garnish to 20 to 30°C (68 to 86°F) using heat lamp.

3) Remove the double-sided tape backing sheet, and then align the clips to vehicle body holes. Press and install the side garnish applying 69-98 N (7-10 kgf, 15-22 lbf) by the hands, using care to avoid air entering.

NOTE:

- To keep the adhesion, do not wash the vehicle within 24 hours.
- After the adhesion, use care not to move the side garnish up and down.

C: INSPECTION

- Check the side garnish is not damaged or cracked.
- Check the clips are not broken.