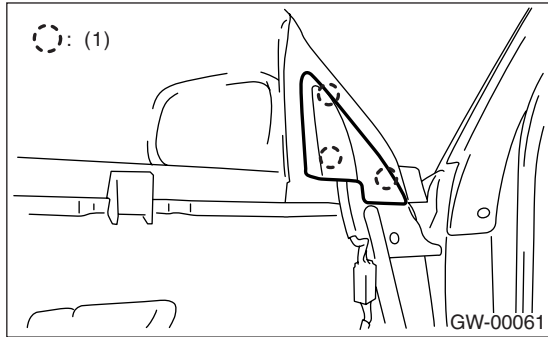


## 6. Outer Mirror Assembly

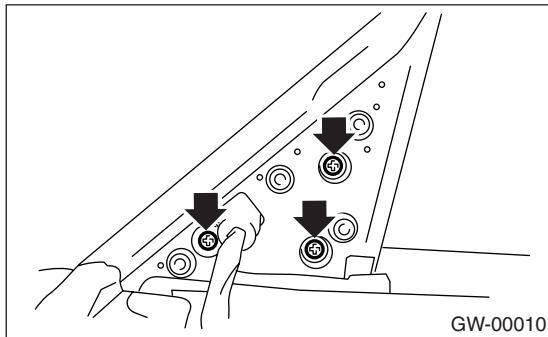
### A: REMOVAL

- 1) Remove the scalp cap. <Ref. to GW-10, REPLACEMENT, Scalp Cap.>
- 2) Remove the door trim. <Ref. to EI-32, REMOVAL, Front Door Trim.>
- 3) Remove the mirror gusset cover.



(1) Hook

- 4) Disconnect the mirror connector.
- 5) Remove the grommet, and then loosen the screws to remove mirror assembly.



## OUTER MIRROR ASSEMBLY

GLASS/WINDOWS/MIRRORS

---

### C: INSPECTION

Check to ensure that the rearview mirror moves properly when battery voltage is applied to terminals.

#### Mirror heater not-equipped model:

Switch position	Terminal No.
OFF	—
UP	1 (+) and 3 (-)
DOWN	3 (+) and 1 (-)
LEFT	2 (+) and 3 (-)
RIGHT	3 (+) and 2 (-)

If NG, replace the mirror.

#### Mirror heater equipped model:

Switch position	Terminal No.
OFF	—
UP	2 (+) and 4 (-)
DOWN	4 (+) and 2 (-)
LEFT	3 (+) and 4 (-)
RIGHT	4 (+) and 3 (-)

If NG, replace the mirror.