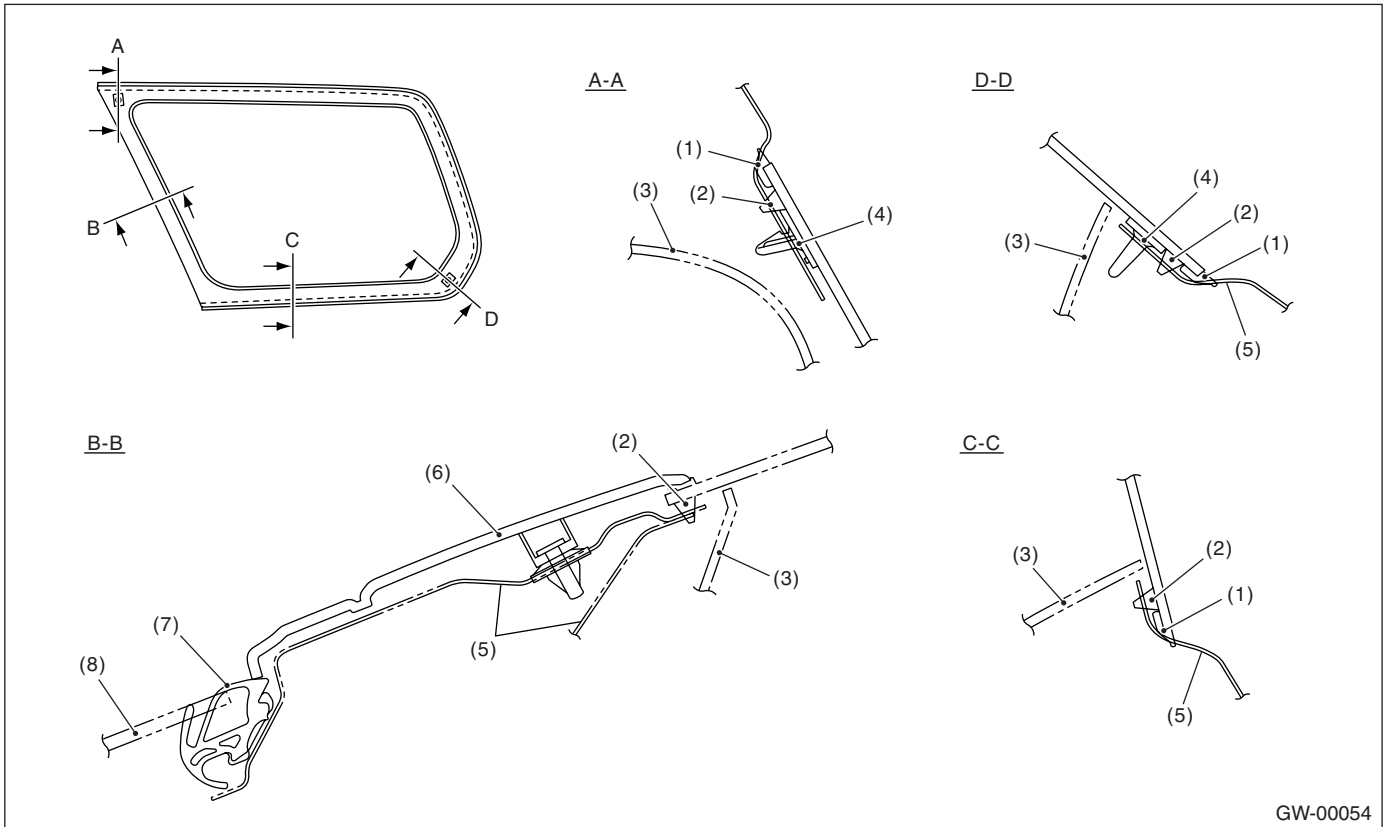


## 18.Rear Quarter Glass

### A: REMOVAL

Remove the glass in the same procedure as for windshield glass. <Ref. to GW-24, REMOVAL, Windshield Glass.>

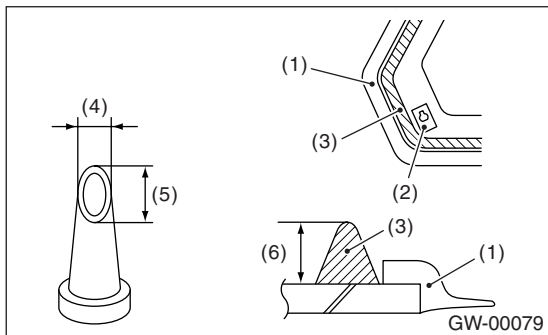


GW-00054

- |                   |                    |                     |
|-------------------|--------------------|---------------------|
| (1) Molding       | (4) Locating pin   | (7) Weatherstrip    |
| (2) Adhesive      | (5) Body           | (8) Rear door glass |
| (3) Interior trim | (6) Cover C pillar |                     |

### B: INSTALLATION

1) Cut off the nozzle tip as shown in the figure.



GW-00079

- |                                 |
|---------------------------------|
| (1) Molding                     |
| (2) Matching pin                |
| (3) Adhesive                    |
| (4) 10 mm (0.39 in)             |
| (5) 15 mm (0.59 in)             |
| (6) 10 — 13 mm (0.39 — 0.51 in) |

2) Install the glass in the same procedure as for windshield glass. <Ref. to GW-25, INSTALLATION, Windshield Glass.>

3) After completion of all work, allow the vehicle to stand for about 24 hours.

#### NOTE:

- When the door is opened/closed after glass is bonded, always lower the door glass and then open/close it carefully.
- Move the vehicle slowly.
- For minimum drying time and time the vehicle must be left standing before driving after bonding, follow instructions or instruction manual from the adhesive manufacturer.

## REAR QUARTER GLASS

### GLASS/WINDOWS/MIRRORS

---

4) After curing of adhesive, pour water on external surface of vehicle to check that there are no water leaks.

**NOTE:**

When a vehicle is returned to the user, tell him or her that the vehicle should not be subjected to heavy impact for at least three days.