

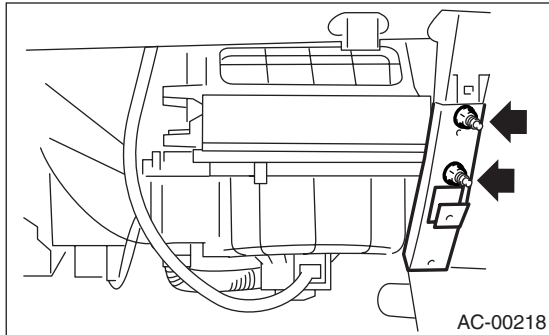
BLOWER MOTOR UNIT ASSEMBLY

HVAC SYSTEM (HEATER, VENTILATOR AND A/C)

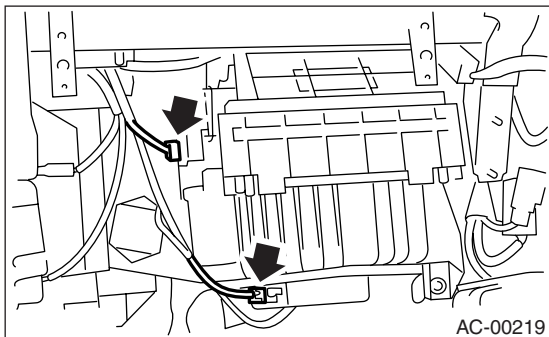
7. Blower Motor Unit Assembly

A: REMOVAL

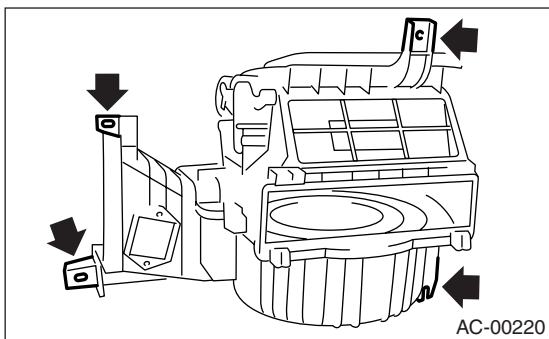
- 1) Disconnect the ground cable from battery.
- 2) Remove the glove box. <Ref. to EI-34, REMOVAL, Glove Box.>
- 3) Loosen the nut to remove the support beam stay.



- 4) Disconnect the connectors of blower motor and intake actuator resistor.



- 5) Loosen the bolt and nut to remove blower motor unit assembly.



B: INSTALLATION

Install in the reverse order of removal.

Tightening torque:

Refer to **COMPONENT in General Description**. <Ref. to AC-5, HEATER COOLING UNIT, COMPONENT, General Description.> and <Ref. to AC-7, BLOWER MOTOR UNIT, COMPONENT, General Description.>

C: INSPECTION

Inspection of Auto A/C Brush-less Motor Operation

Connect the motor connector terminal 1 from the battery to the positive (+) lead and terminal 2 and 5 at the same time to the negative (-) lead. Make sure the motor runs smoothly.

