

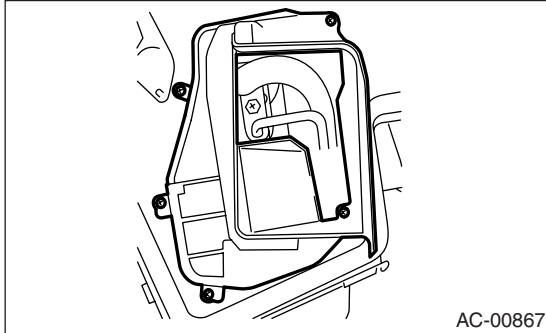
# EVAPORATOR

HVAC SYSTEM (HEATER, VENTILATOR AND A/C)

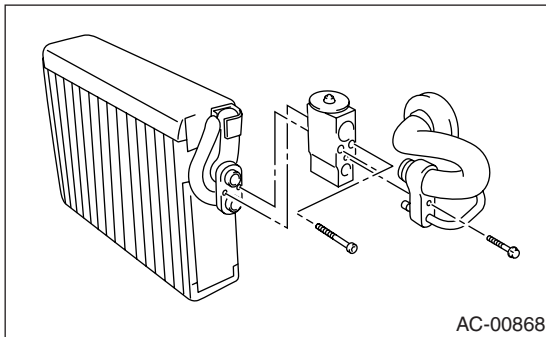
## 15. Evaporator

### A: REMOVAL

- 1) Disconnect the refrigerant recovery & toe board area A/C pipe. <Ref. to AC-20, OPERATION, Refrigerant Recovery Procedure.>
- 2) Remove the glove box.
- 3) Remove lower motor unit assembly. <Ref. to AC-26, REMOVAL, Blower Motor Unit Assembly.>
- 4) Loosen the screws and remove evaporator cover.



- 5) Remove the A/C pipes in unit.
- 6) Rotate the upper part of evaporator tilt toward the front vehicle and the lower part tilt toward the interior, respectively. Then pull out the heater case to the left side.
- 7) Loosen the two bolts to remove expansion valve.



### CAUTION:

If the evaporator is replaced, add appropriate amount of compressor oil to evaporator. <Ref. to AC-25, REPLACEMENT, Compressor Oil.>

### B: INSTALLATION

- 1) Install in the reverse order of removal.

### NOTE:

Replace the o-ring for refrigerant recovery & toe board area air conditioner pipe with a new one, and then apply compressor oil.