

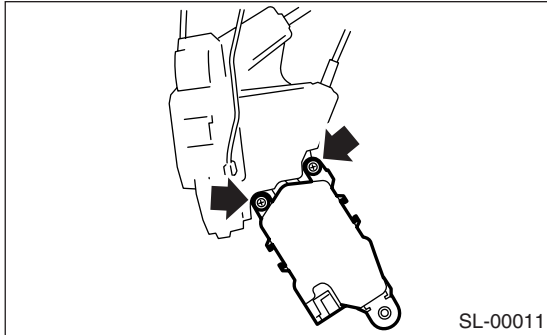
# FRONT DOOR LOCK ACTUATOR

SECURITY AND LOCKS

## 8. Front Door Lock Actuator

### A: REMOVAL

- 1) Remove the front door latch assembly. <Ref. to SL-29, REMOVAL, Front Door Latch Assembly.>
- 2) Loosen the two screws to remove front door lock actuator.



### B: INSTALLATION

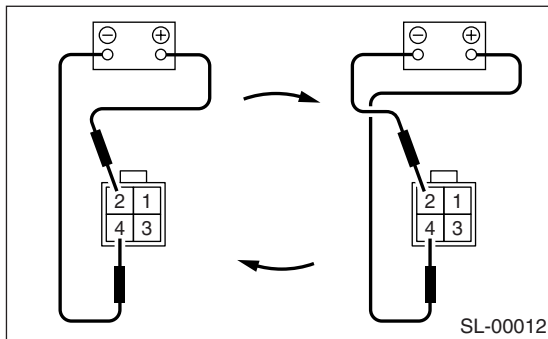
Install in the reverse order of removal.

NOTE:

Make sure the lock works properly after installation.

### C: INSPECTION

- 1) Disconnect the door lock actuator harness connector.
- 2) Connect the battery to door lock actuator terminals.



Terminal No.	Actuator operation
No. 2 (+) and No. 4 (-)	Unlocked → Locked
No. 4 (+) and No. 2 (-)	Locked → Unlocked

If NG, replace the door lock actuator.