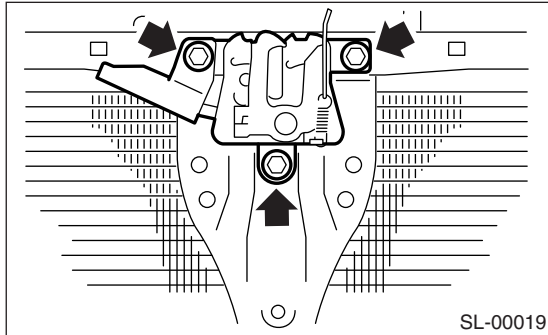


16. Front Hood Lock Assembly

A: REMOVAL

- 1) Open the hood.
- 2) Remove the front grille.
- 3) Remove the bolt. Remove the hood lock assembly.
- 4) Remove the release cable from lock assembly.



B: INSTALLATION

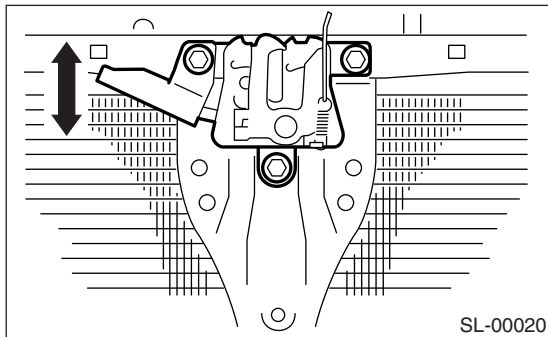
Install in the reverse order of removal.

NOTE:

- Apply grease to parts that rub.
- Make sure the release cable works properly after installation.

C: ADJUSTMENT

Loosen the bolt. Adjust the lock assembly while moving it up and down.



D: INSPECTION

- 1) Check the striker for bending or abnormal wear.
- 2) Check the safety lever for improper movement.
- 3) Check other levers and the spring for rust formation and unsmooth movement.