

GENERAL DESCRIPTION

WIPER AND WASHER SYSTEMS

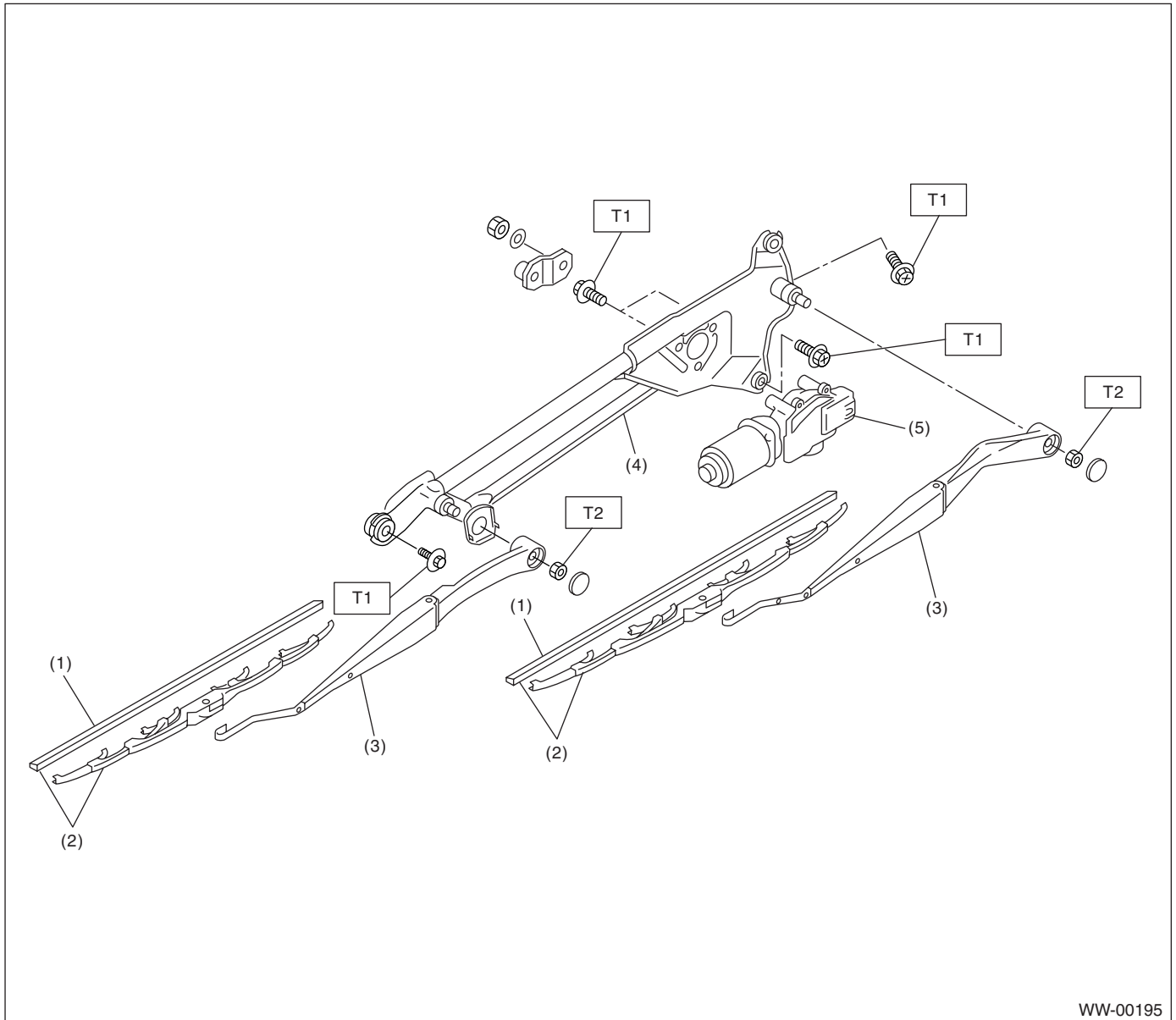
1. General Description

A: SPECIFICATIONS

Front wiper motor	Input	12 V — 72 W or less
Rear wiper motor	Input	12 V — 42 W or less
Front washer motor	Pump type	Centrifugal
	Input	12 V — 36 W or less
Rear washer motor	Pump type	Centrifugal
	Input	12 V — 36 W or less

B: COMPONENT

1. FRONT WIPER



WW-00195

- (1) Wiper rubber
- (2) Wiper blade ASSY
- (3) Wiper arm

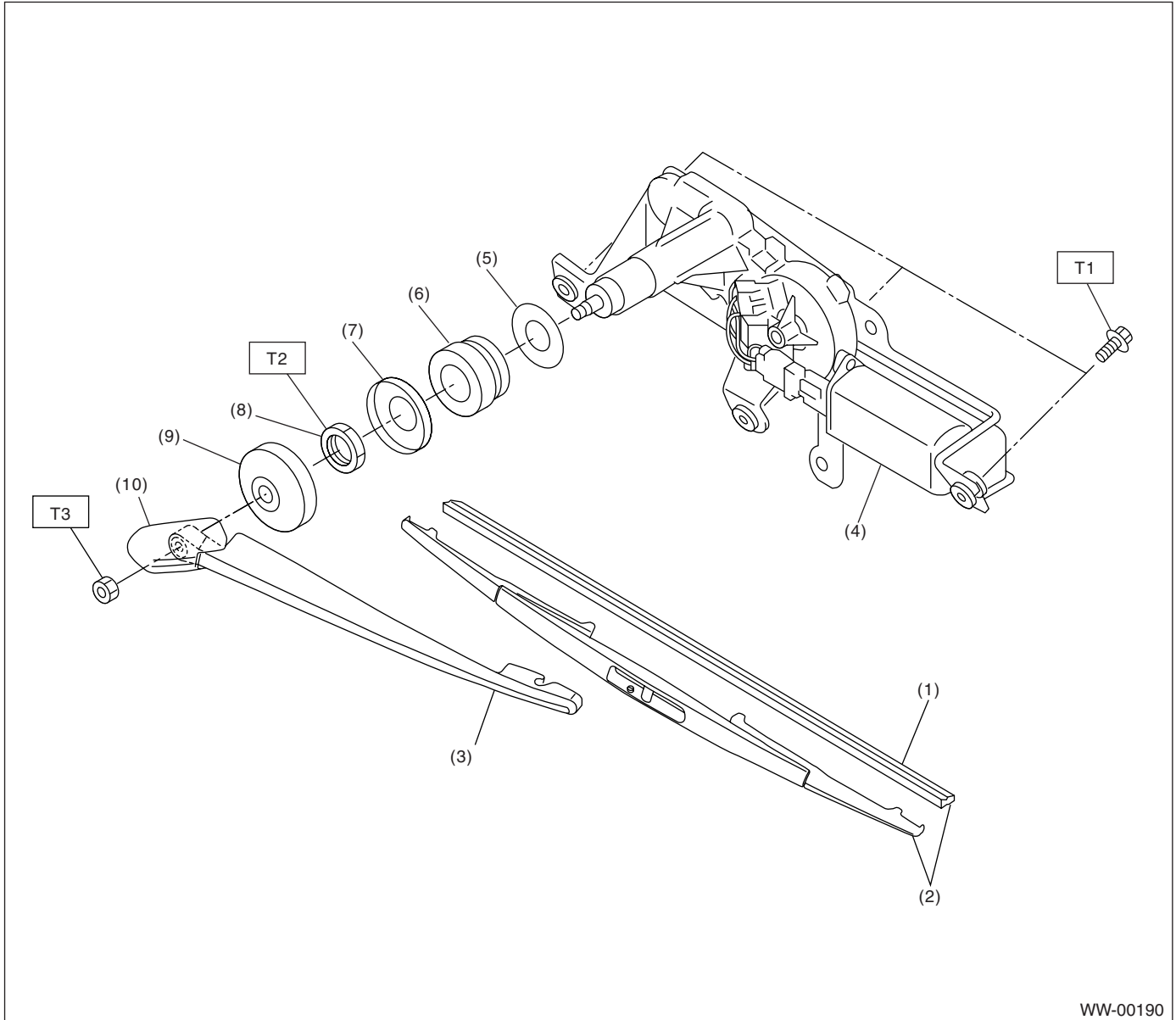
- (4) Wiper rink
- (5) Wiper motor

Tightening torque: N·m (kgf·m, ft·lb)

T1: 6.0 (0.61, 4.4)

T2: 20 (2.0, 14.5)

2. REAR WIPER



WW-00190

- | | |
|----------------------|----------------------|
| (1) Wiper rubber | (7) Spacer B |
| (2) Wiper blade ASSY | (8) Nut |
| (3) Wiper arm | (9) Cap |
| (4) Wiper motor | (10) Wiper arm cover |
| (5) Spacer A | |
| (6) Cushion | |

Tightening torque: N·m (kgf·m, ft·lb)

T1: 6.0 (0.61, 4.4)

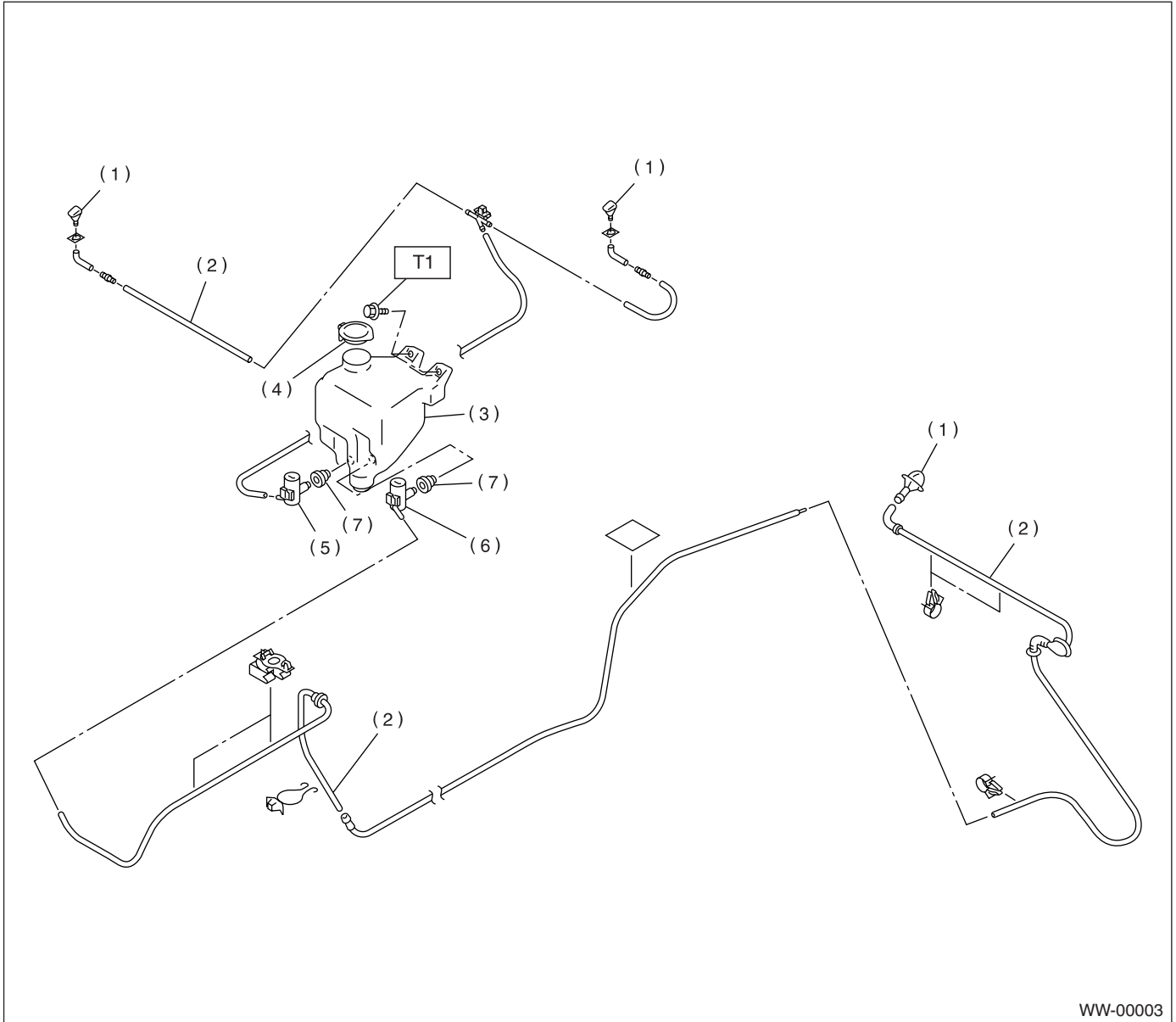
T2: 7.5 (0.76, 5.5)

T3: 8.0 (0.82, 5.9)

GENERAL DESCRIPTION

WIPER AND WASHER SYSTEMS

3. WASHER TANK



- (1) Washer nozzle
- (2) Washer hose
- (3) Washer tank
- (4) Washer tank cap

- (5) Front washer motor
- (6) Rear washer motor
- (7) Grommet

Tightening torque: $N \cdot m$ (kgf-m, ft-lb)
T1: 6.0 (0.61, 4.4)

C: CAUTION

- Reconnect the connectors and hoses securely. After reconnecting, confirm that each function operates normally.
- Be careful that wiring harnesses of airbag system pass near electrical parts and switches.
- Wiring harnesses and connectors of all airbag system are yellow color. Do not use a tester on these circuits.
- Care must be taken when installing the piping hose so that no bending, jamming, etc. are caused.
- If even a little oil or grease such as silicon oil gets in the tank and washer passages, an oil film easily forms on the glass, causing the wiper to chatter and judder. Therefore, be careful not to let this happen.