

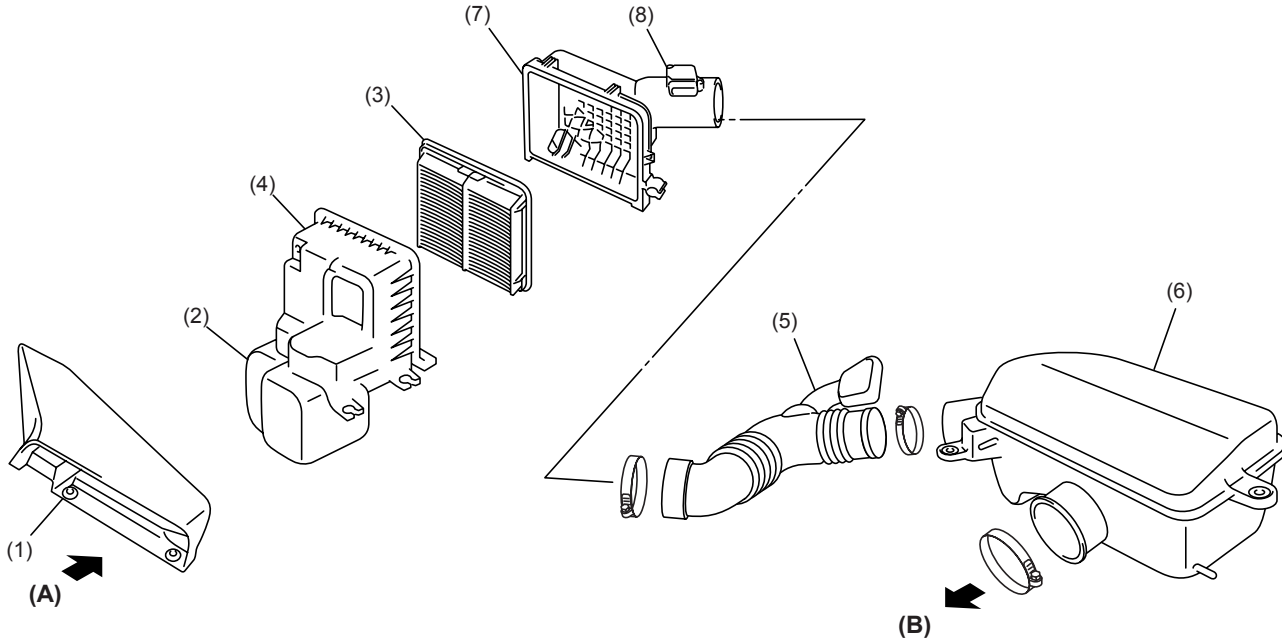
INTAKE (INDUCTION) (H4SO)

GENERAL

INTAKE (INDUCTION)

1. General

The intake system consists of an intake duct, a resonator chamber, and an air cleaner element housed in its case. The resonator chamber effectively reduces the intake noise level.



IN-02086

- (1) Air intake duct
 - (2) Resonator
 - (3) Air cleaner element
 - (4) Air cleaner case (front)
 - (5) Intake duct
 - (6) Air intake chamber
 - (7) Air cleaner case (rear)
 - (8) Mass air flow and intake air temperature sensor
- (A) Outside air
 - (B) To throttle body