

WIRING SYSTEM SECTION

WIRING SYSTEM

WI

This service manual has been prepared to provide SUBARU service personnel with the necessary information and data for the correct maintenance and repair of SUBARU vehicles.

This manual includes the procedures for maintenance, disassembling, reassembling, inspection and adjustment of components and diagnostics for guidance of experienced mechanics.

Please peruse and utilize this manual fully to ensure complete repair work for satisfying our customers by keeping their vehicle in optimum condition. When replacement of parts during repair work is needed, be sure to use SUBARU genuine parts.

All information, illustration and specifications contained in this manual are based on the latest product information available at the time of publication approval.

WIRING SYSTEM



| | Page |
|--|-------------|
| 1. Basic Diagnostics Procedure | 3 |
| 2. Working Precautions | 16 |
| 3. Super Multiple Junction (SMJ) | 17 |
| 4. Power Supply Routing | 19 |
| 5. Ground Distribution | 34 |
| 6. Airbag System | 48 |
| 7. Air Conditioning System | 55 |
| 8. Anti-lock Brake System | 64 |
| 9. A/T Control System | 71 |
| 10. Audio System | 82 |
| 11. Charging System | 87 |
| 12. Combination Meter | 90 |
| 13. Cruise Control System | 94 |
| 14. Door Lock System | 97 |
| 15. Engine Coolant Temperature Gauge System | 102 |
| 16. Engine Electrical System | 105 |
| 17. Fuel Gauge System | 164 |
| 18. Full-Time Dual-Range System | 167 |
| 19. Front Accessory Power Supply System | 170 |
| 20. Headlight Beam Leveler System | 171 |
| 21. Horn System | 172 |
| 22. Immobilizer System | 173 |
| 23. Keyless Entry System | 178 |
| 24. Back-up Light System | 185 |
| 25. Clearance Light and Illumination Light System | 186 |
| 26. Front Fog Light System | 196 |
| 27. Headlight System | 200 |
| 28. In Compartment Light System | 203 |
| 29. Stop Light System | 208 |
| 30. Turn Signal Light and Hazard Light System | 209 |
| 31. Oil Pressure Warning Light System | 214 |
| 32. Outside Temperature Display System | 217 |
| 33. Parking Brake and Brake Fluid Level Warning System | 220 |
| 34. Power Window System | 223 |
| 35. Radiator Fan System | 232 |
| 36. Rear Fog Light System | 235 |
| 37. Rear Window Defogger System | 239 |
| 38. Remote Controlled Rearview Mirror System | 242 |
| 39. Seat Belt Warning System | 245 |
| 40. Starter System | 248 |
| 41. Sunroof System | 251 |
| 42. Wiper and Washer System (Front) | 252 |
| 43. Wiper and Washer System (Rear) | 255 |

WIRING SYSTEM

| | | |
|-----|--|-----|
| 44. | Overall Systems | 258 |
| 45. | Front Wiring Harness | 260 |
| 46. | Bulkhead Wiring Harness (In Engine Room) | 266 |
| 47. | Bulkhead Wiring Harness (In Compartment) | 274 |
| 48. | Engine Wiring Harness and Transmission Cord | 280 |
| 49. | Instrument Panel Wiring Harness | 286 |
| 50. | Rear Wiring Harness, Bulkhead wiring Harness, Roof Cord and Fuel Tank Cord | 290 |
| 51. | Door Cord..... | 294 |
| 52. | Rear Wiring Harness and Trunk Lid Cord | 298 |
| 53. | Rear Wiring Harness and Rear Gate Cord | 300 |

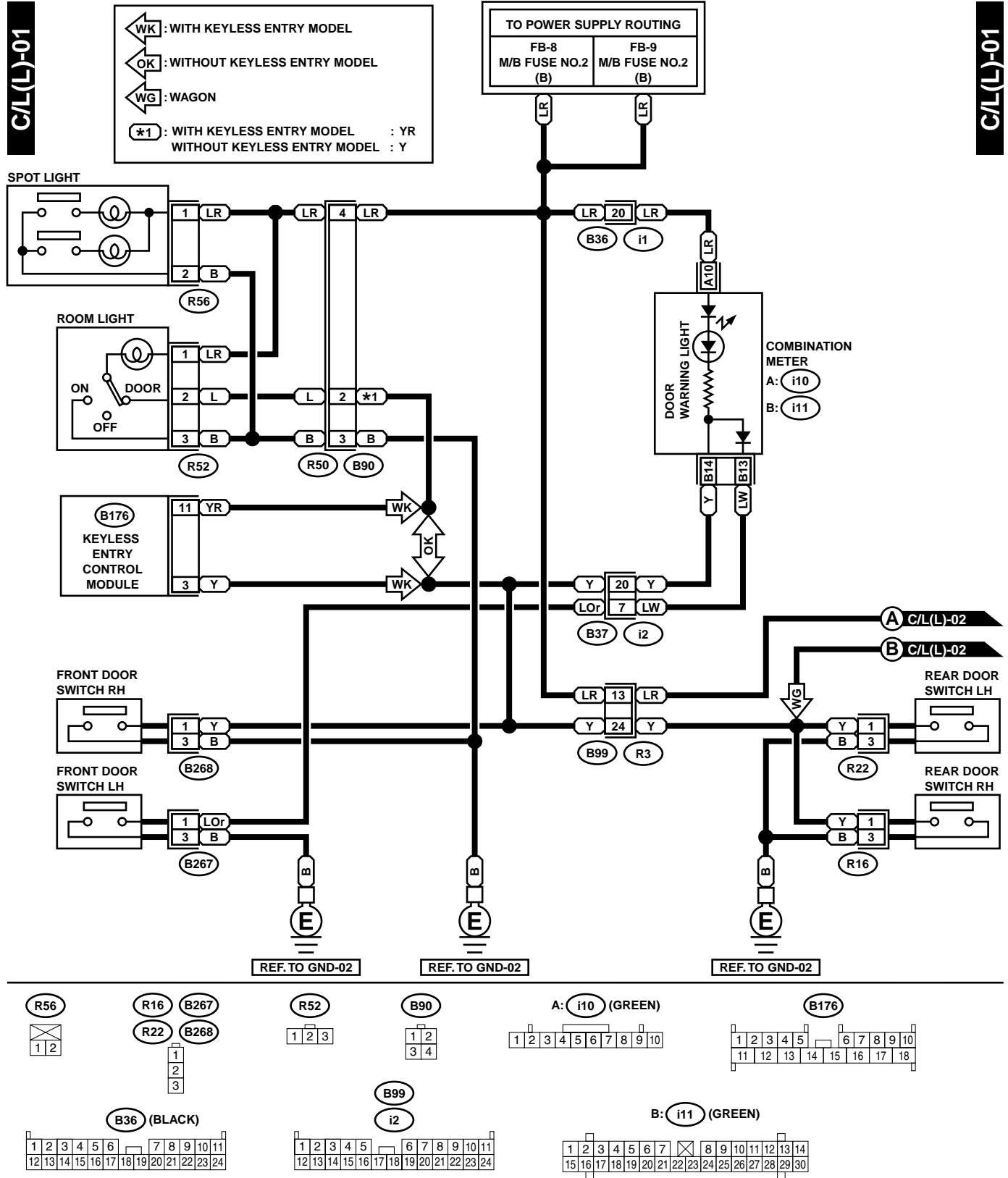
28.In Compartment Light System

A: SCHEMATIC

IN COMPARTMENT LIGHT SYSTEM

WIRING SYSTEM

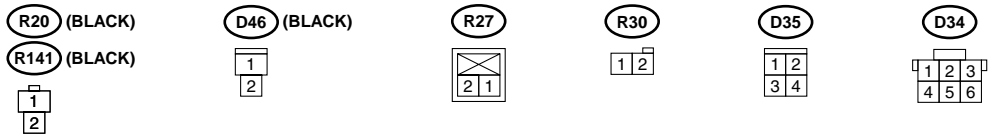
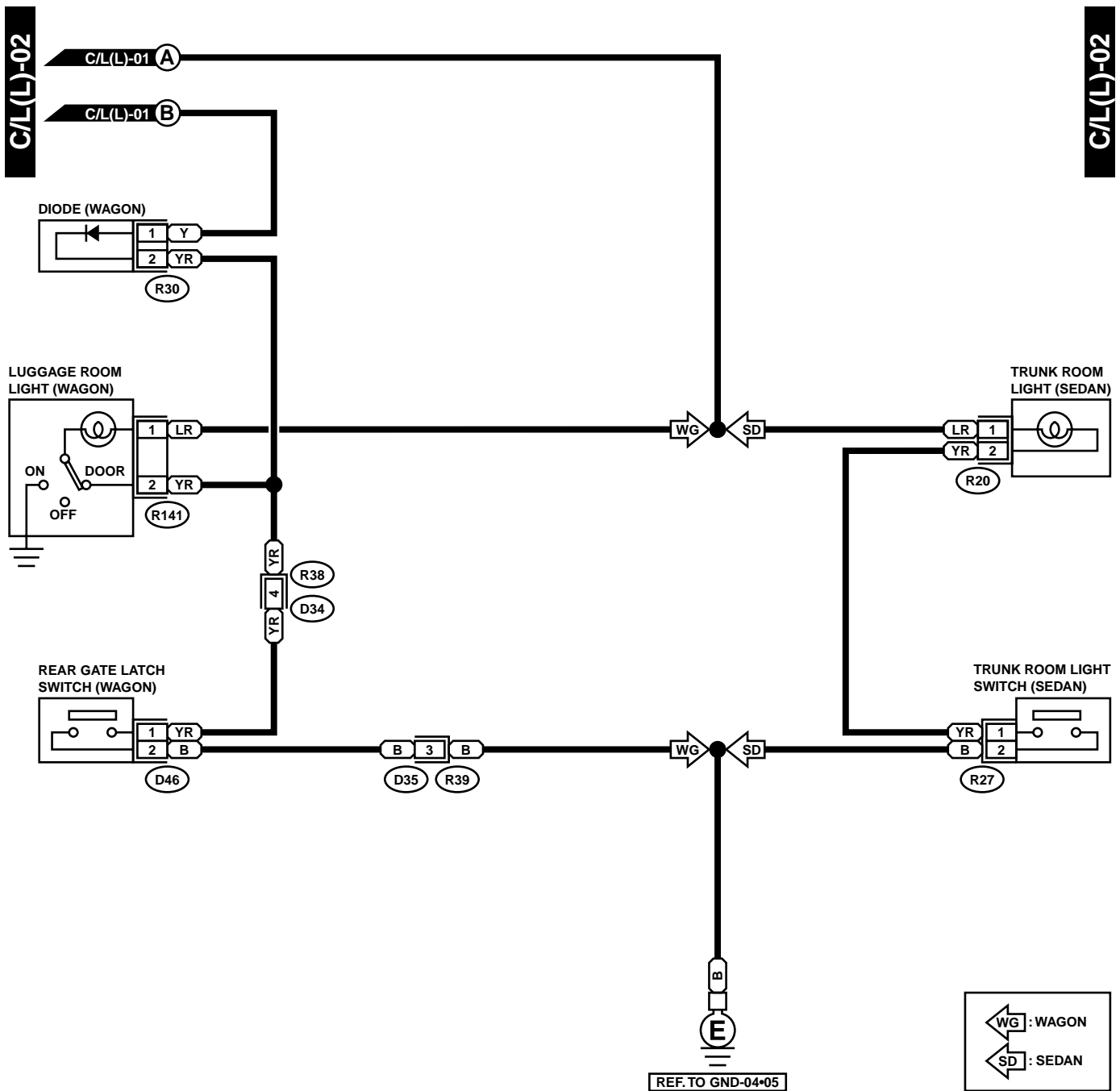
1. LHD MODEL



GL21-20A

IN COMPARTMENT LIGHT SYSTEM

WIRING SYSTEM

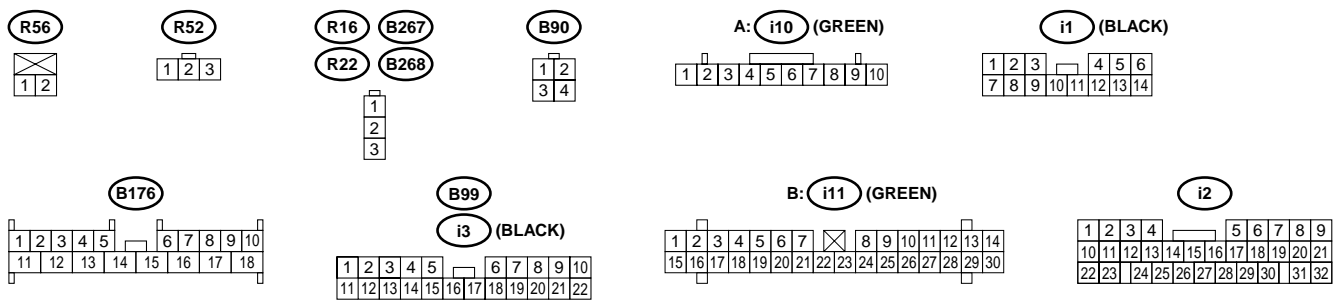
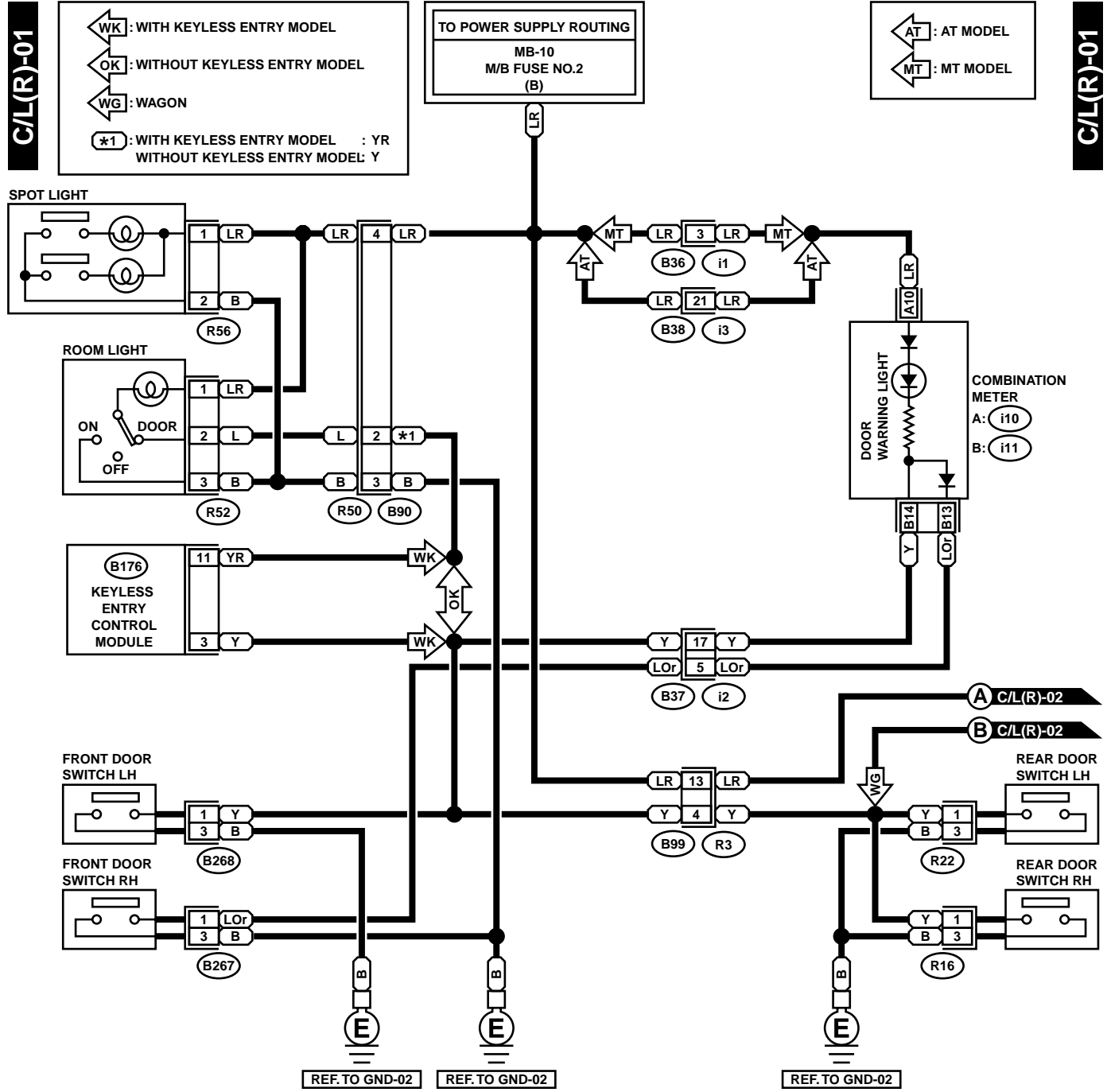


GL21-20B

IN COMPARTMENT LIGHT SYSTEM

WIRING SYSTEM

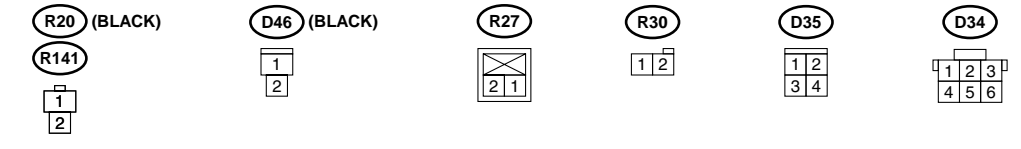
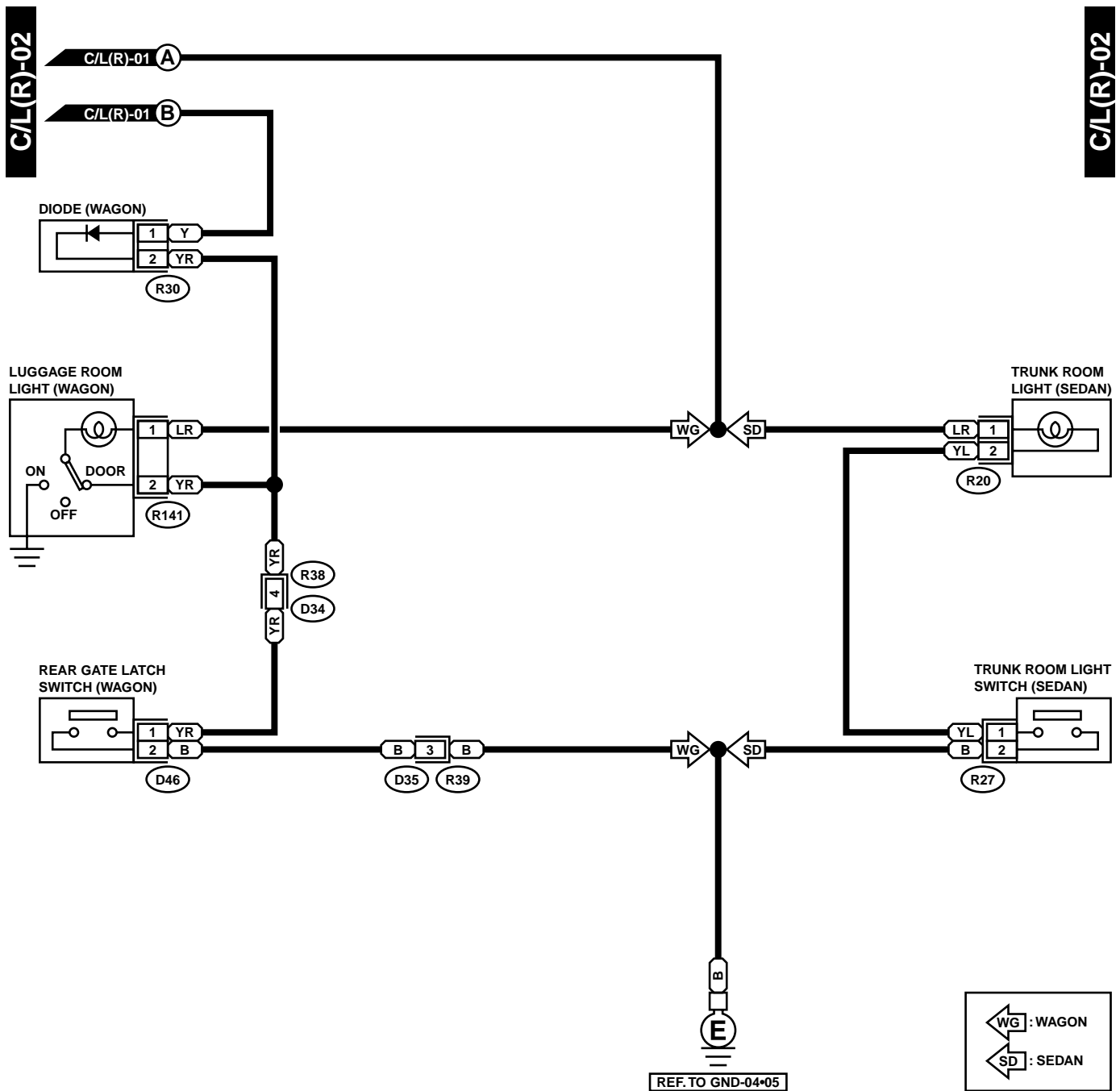
2. RHD MODEL



GR21-20A

IN COMPARTMENT LIGHT SYSTEM

WIRING SYSTEM



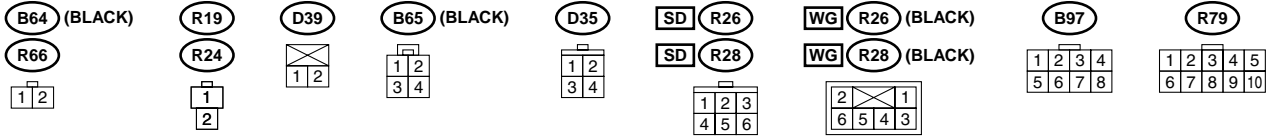
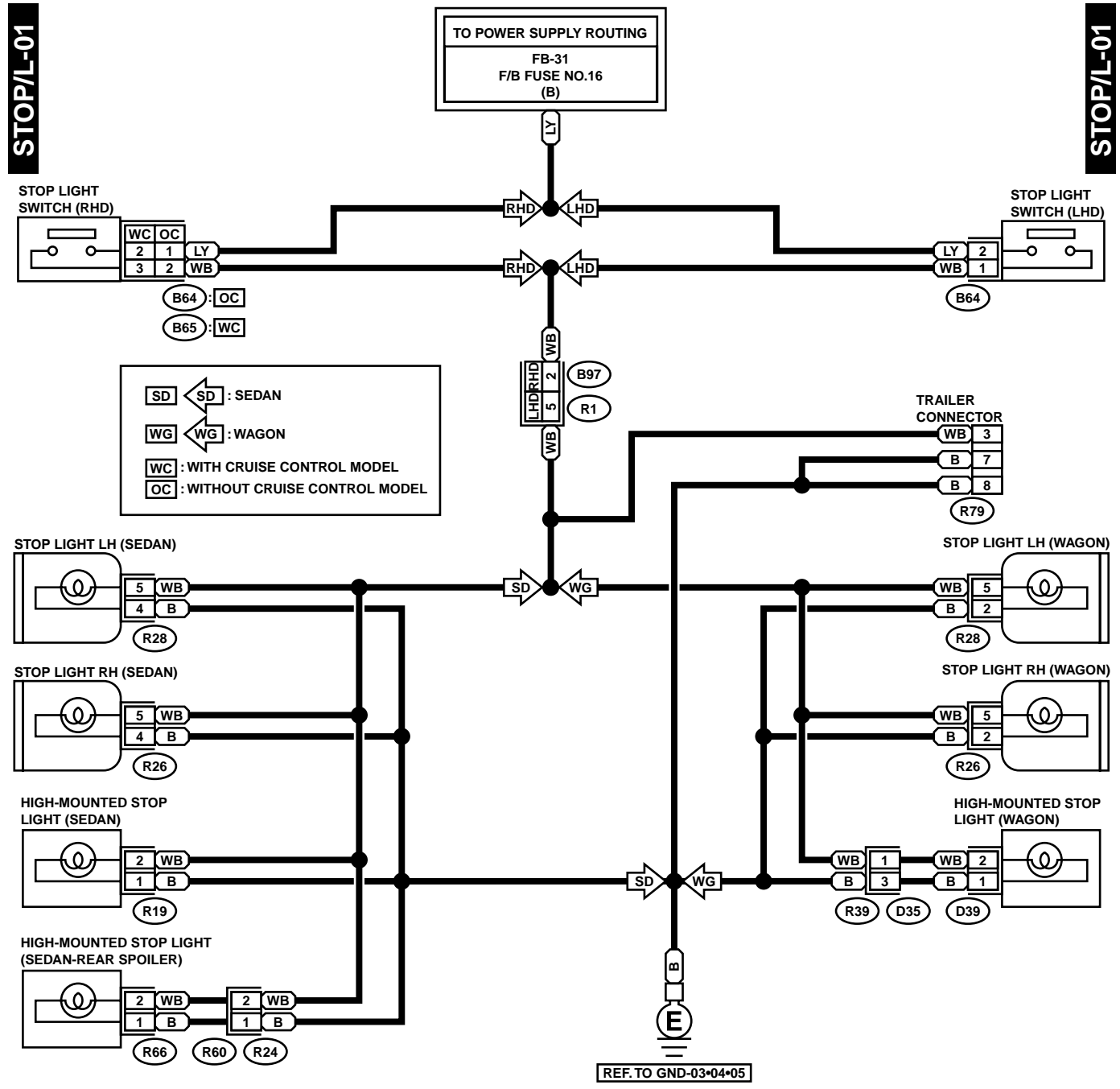
GR21-20B

STOP LIGHT SYSTEM

WIRING SYSTEM

29. Stop Light System

A: SCHEMATIC



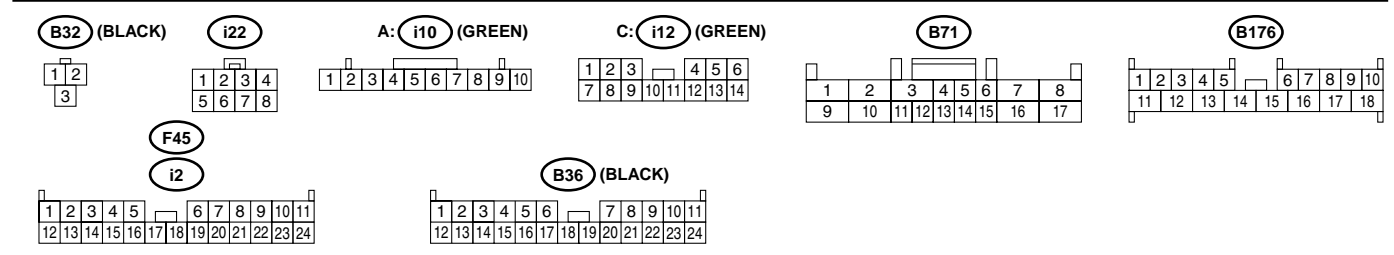
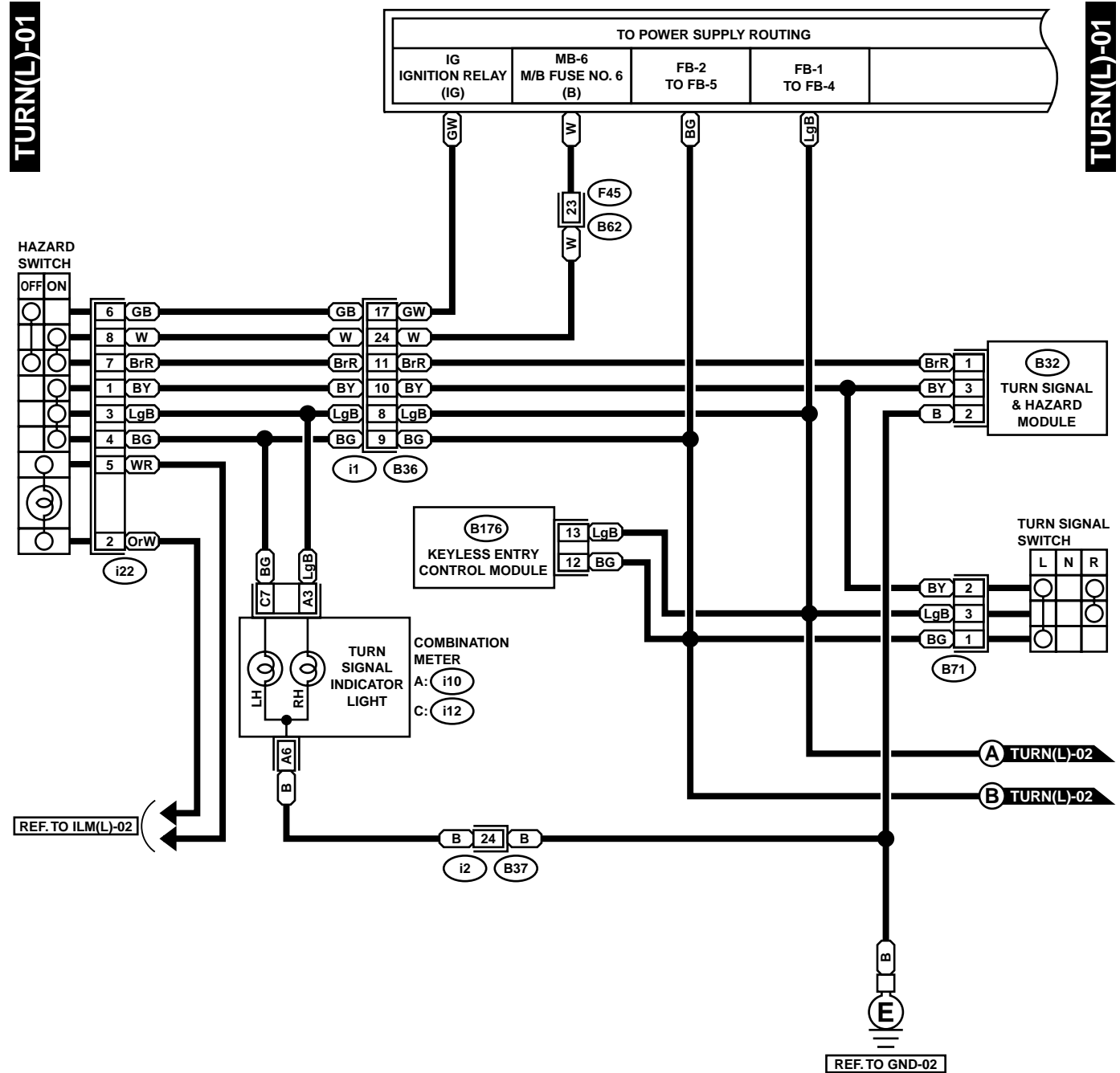
30. Turn Signal Light and Hazard Light System

A: SCHEMATIC

TURN SIGNAL LIGHT AND HAZARD LIGHT SYSTEM

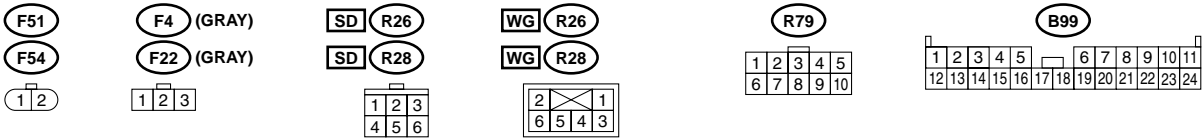
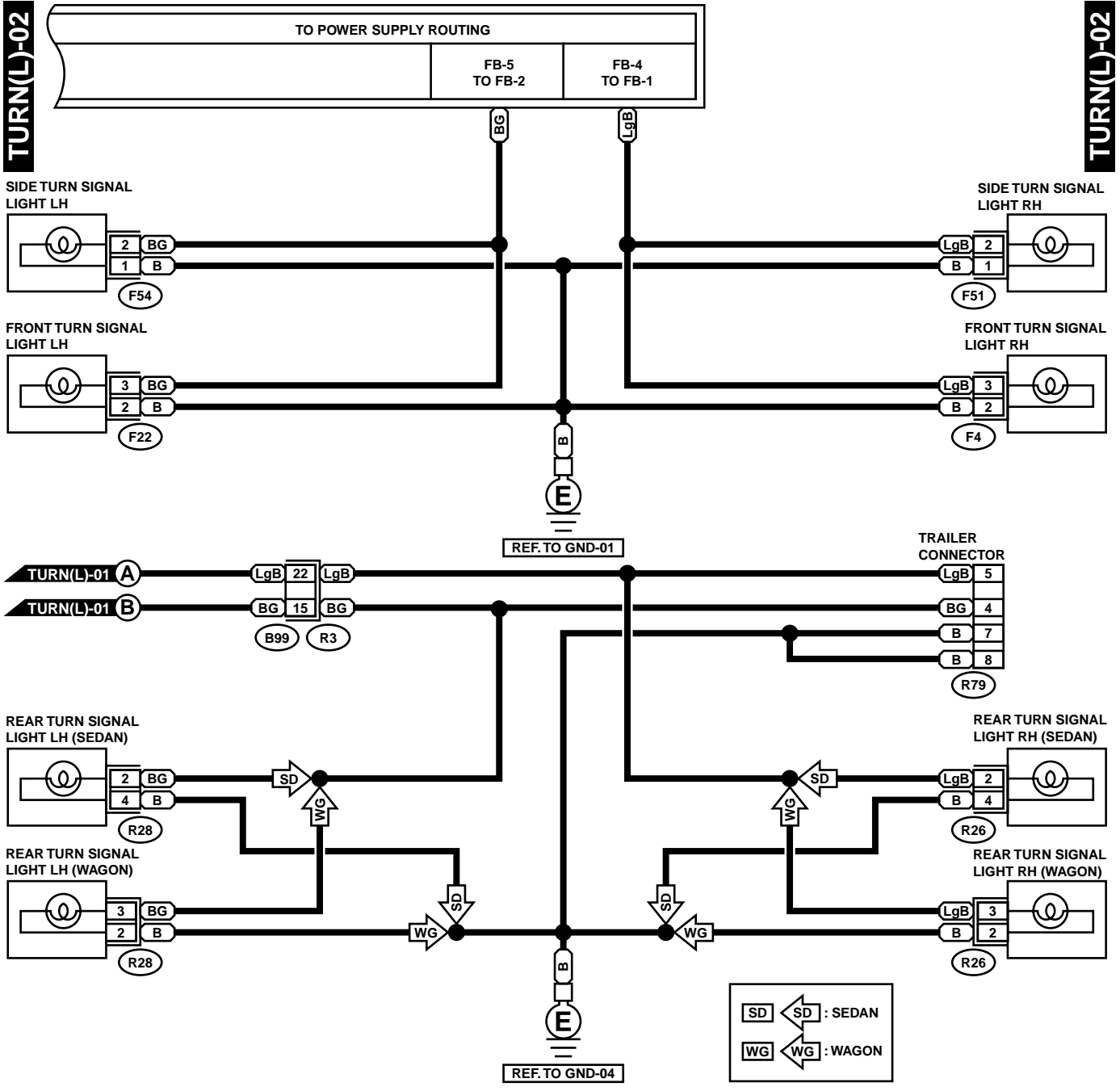
WIRING SYSTEM

1. LHD MODEL



TURN SIGNAL LIGHT AND HAZARD LIGHT SYSTEM

WIRING SYSTEM

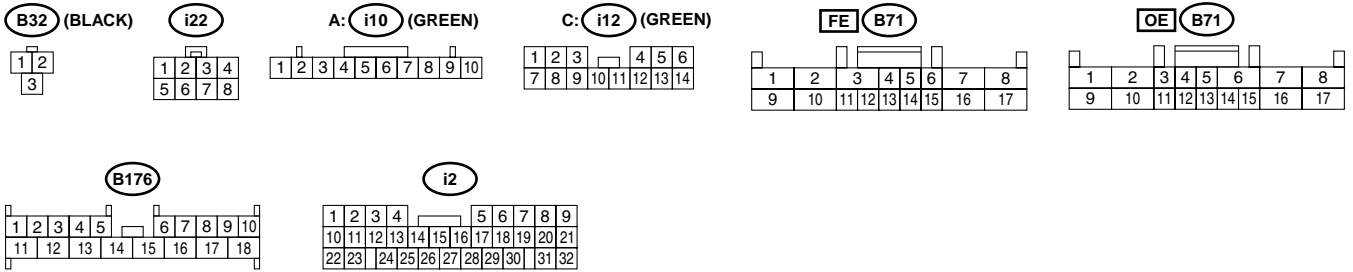
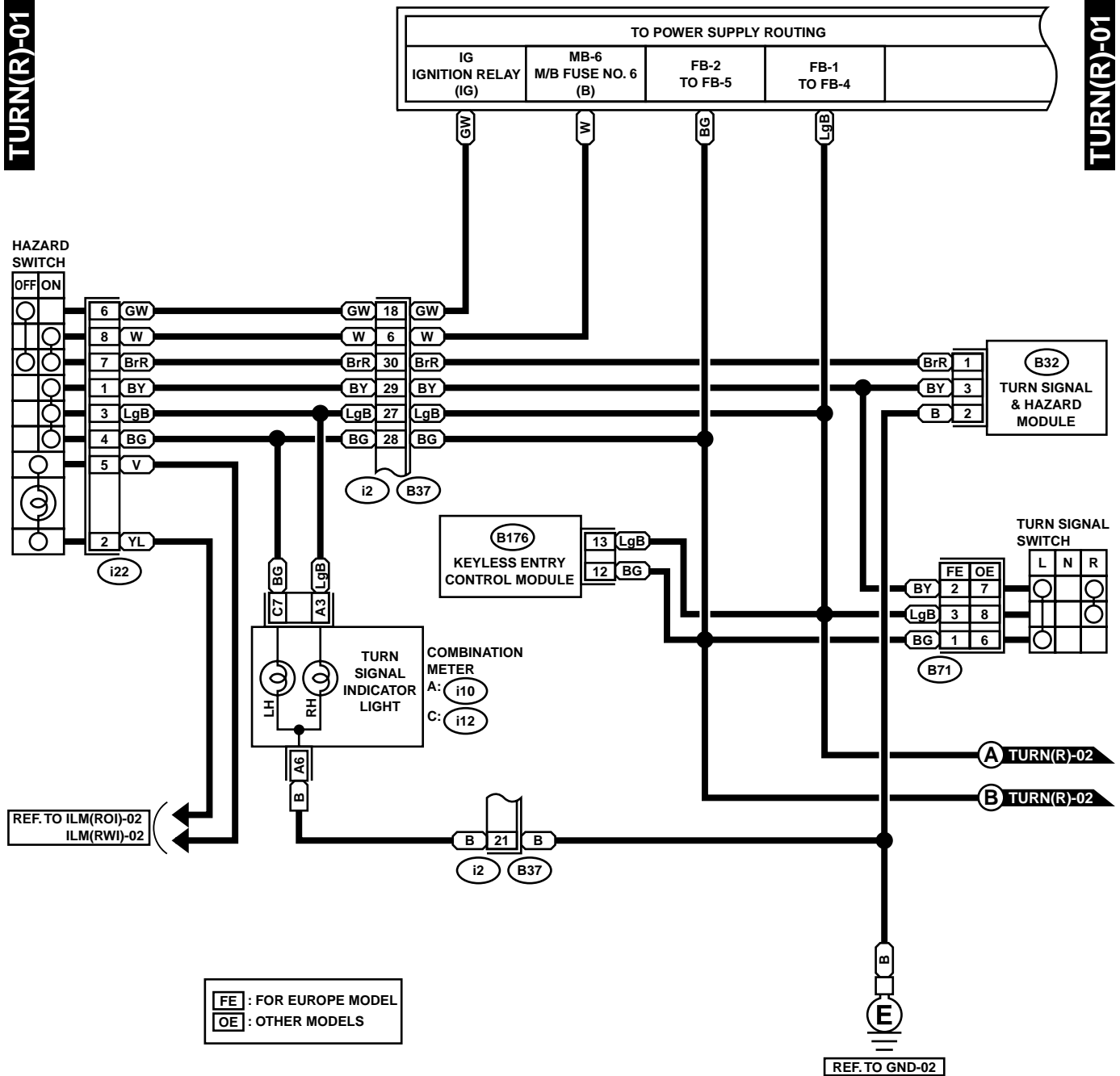


GL26-20B

TURN SIGNAL LIGHT AND HAZARD LIGHT SYSTEM

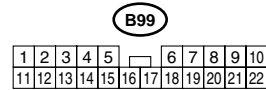
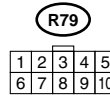
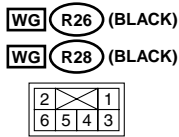
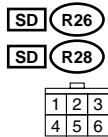
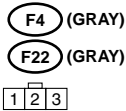
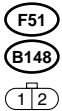
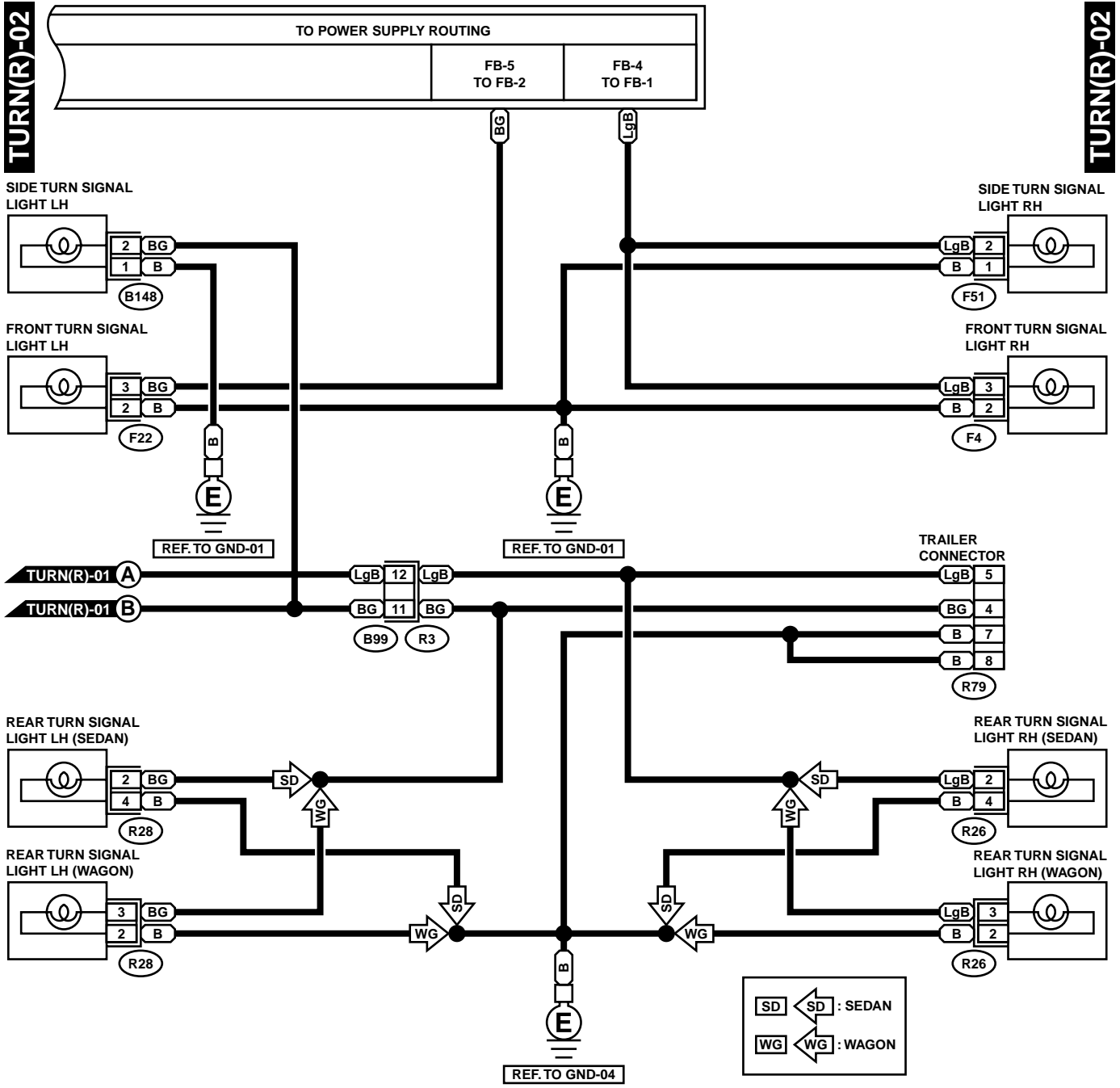
WIRING SYSTEM

2. RHD MODEL



TURN SIGNAL LIGHT AND HAZARD LIGHT SYSTEM

WIRING SYSTEM



GR26-20B

31.Oil Pressure Warning Light System

A: SCHEMATIC

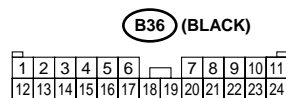
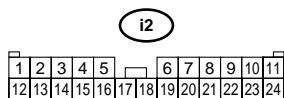
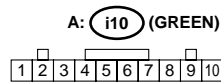
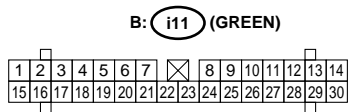
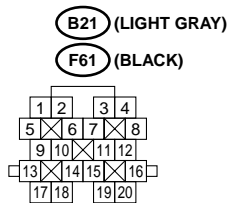
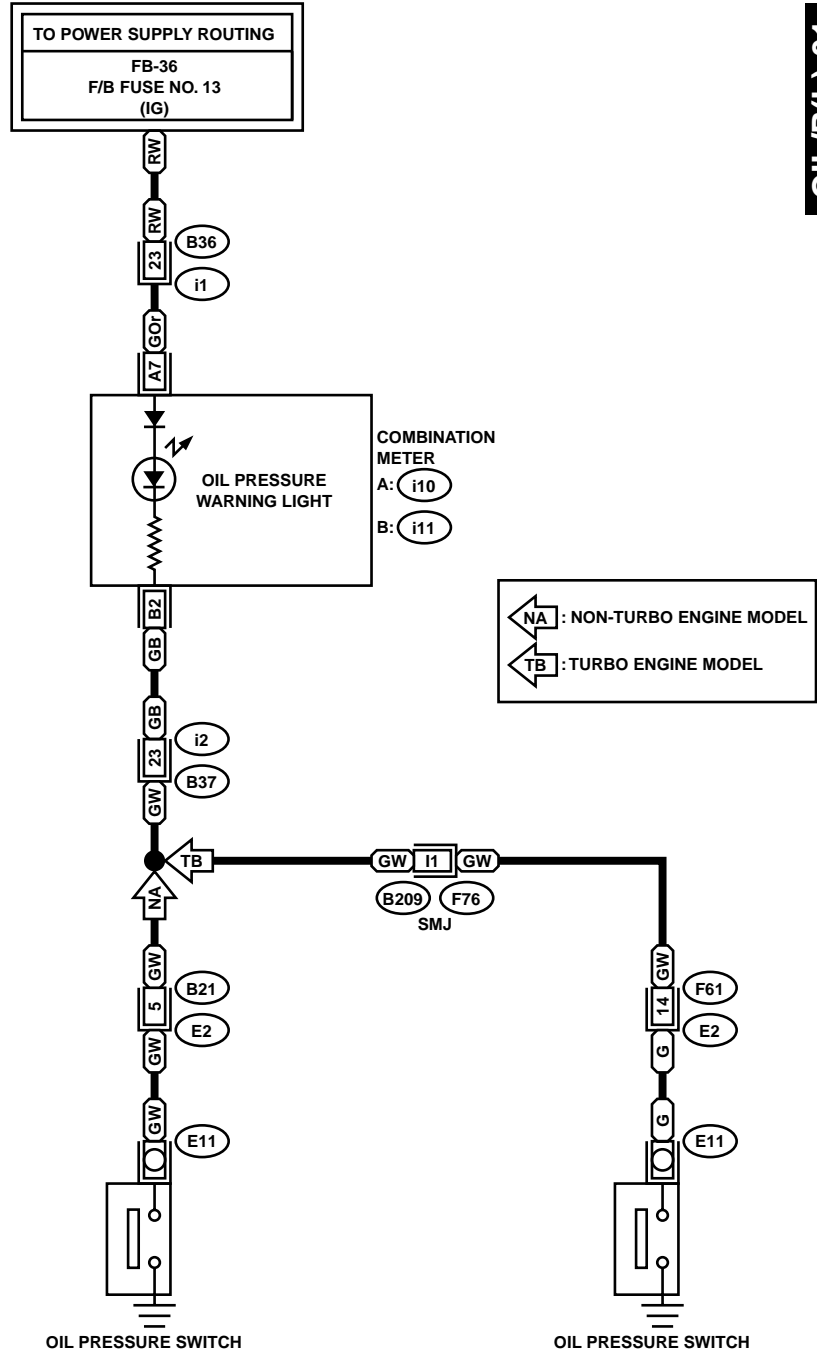
OIL PRESSURE WARNING LIGHT SYSTEM

WIRING SYSTEM

1. LHD MODEL

OIL/P(L)-01

OIL/P(L)-01



GL66-20

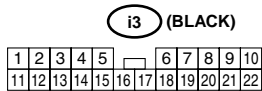
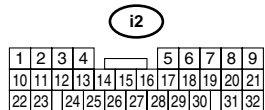
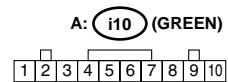
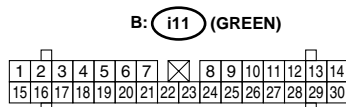
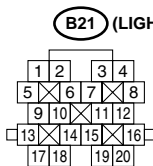
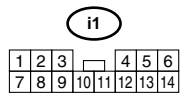
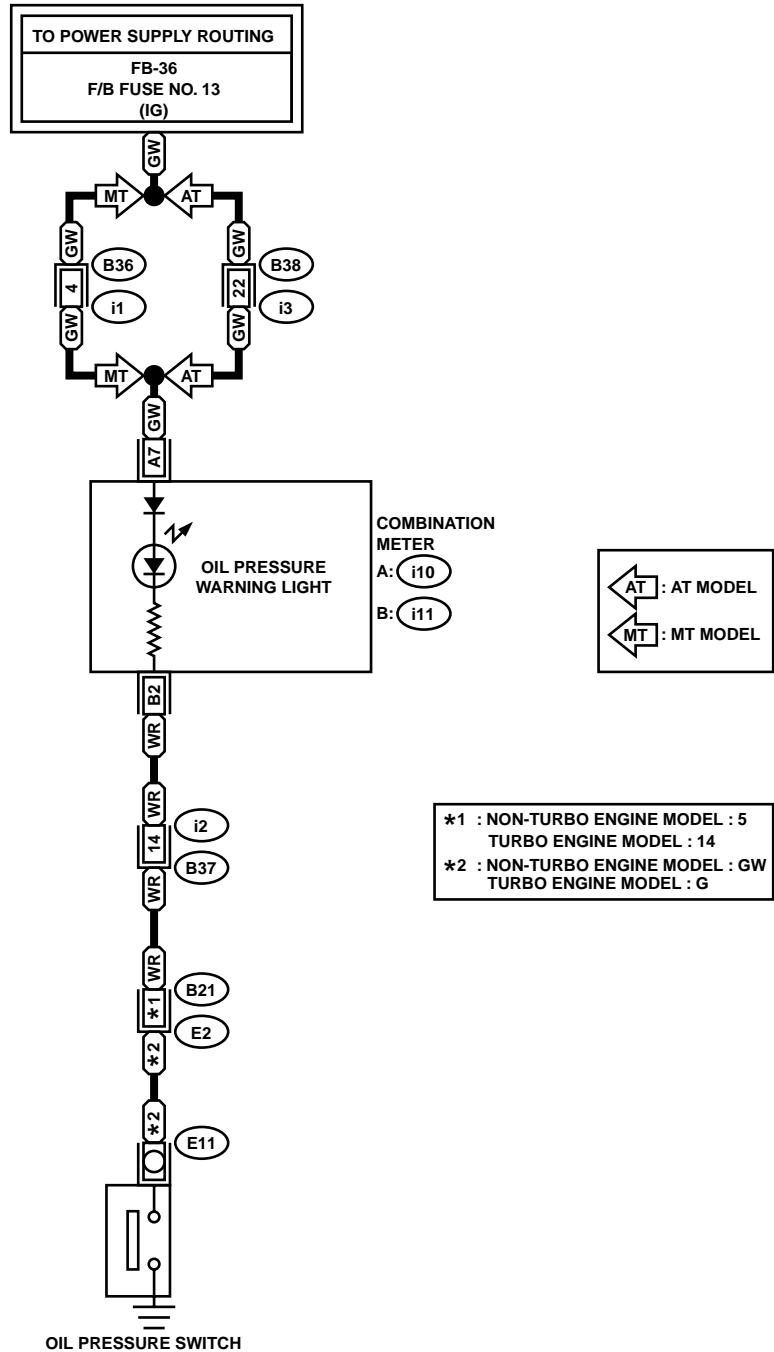
OIL PRESSURE WARNING LIGHT SYSTEM

WIRING SYSTEM

2. RHD MODEL

OIL/P(R)-01

OIL/P(R)-01



GR66-20

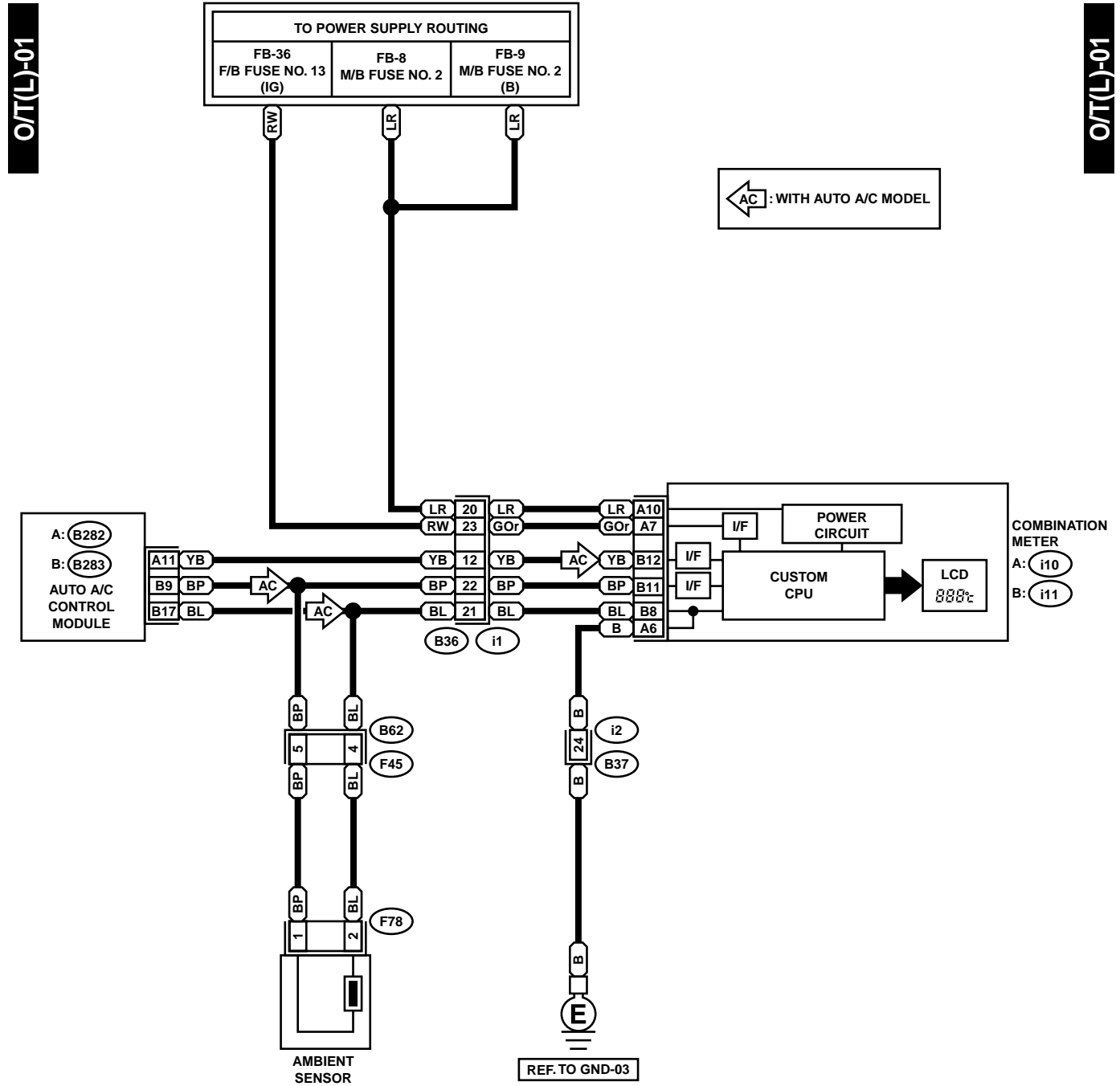
32. Outside Temperature Display System

A: SCHEMATIC

OUTSIDE TEMPERATURE DISPLAY SYSTEM

WIRING SYSTEM

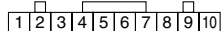
1. LHD MODEL



F78



A: i10 (GREEN)



A: B282 (GRAY)



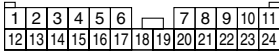
B: B283 (GRAY)



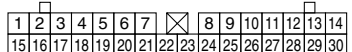
i2



B36 (BLACK)



B: i11 (GREEN)



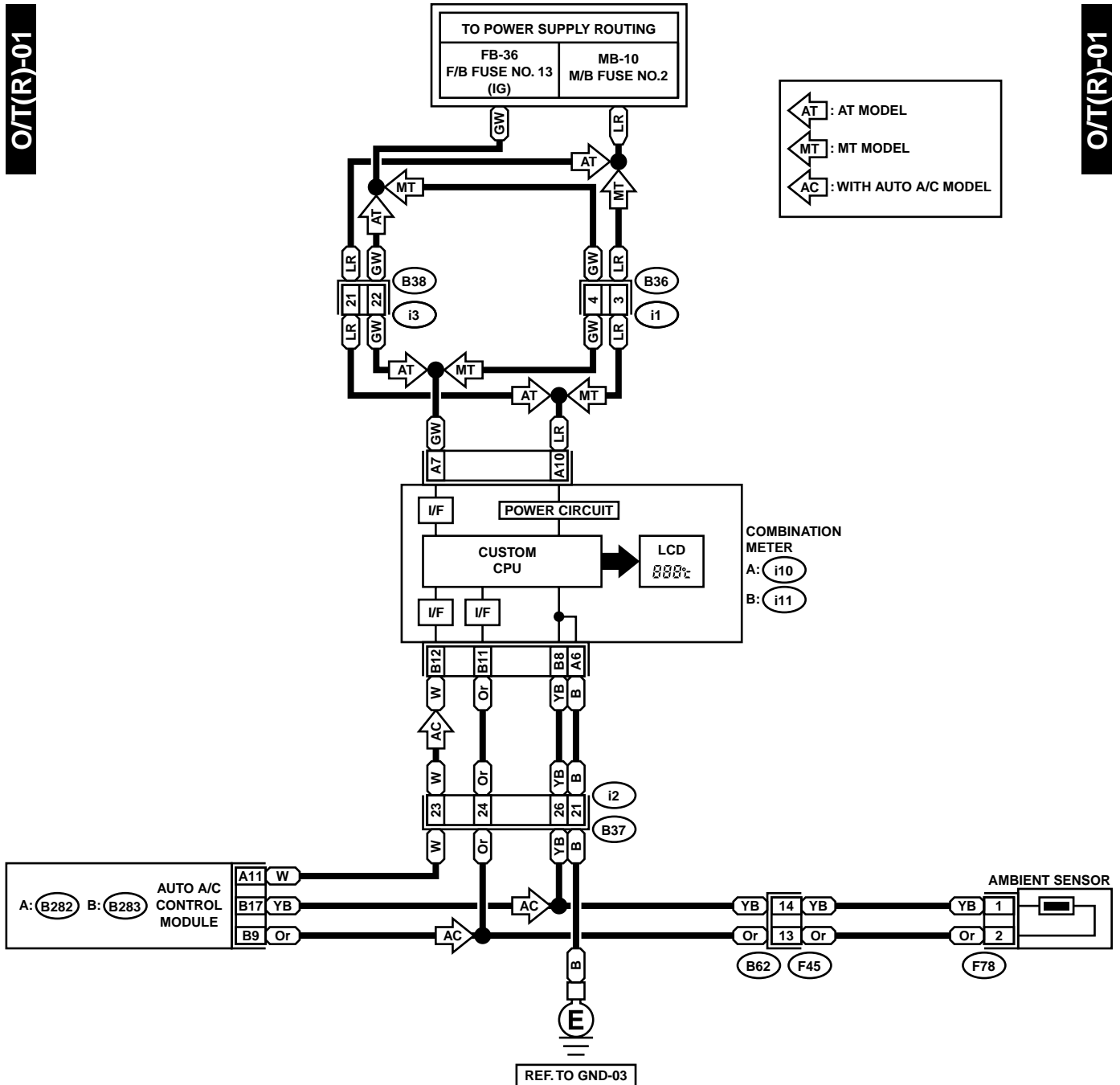
OUTSIDE TEMPERATURE DISPLAY SYSTEM

WIRING SYSTEM

2. RHD MODEL

O/T(R)-01

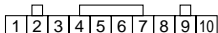
O/T(R)-01



F78 (BLACK)



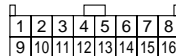
A: i10 (GREEN)



i1 (BLACK)



A: B282 (GRAY)

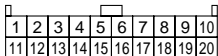


F45 (BLACK)

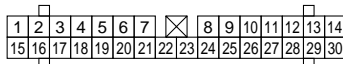


i3 (BLACK)

B: B283 (GRAY)



B: i11 (GREEN)



i2



33.Parking Brake and Brake Fluid Level Warning System

A: SCHEMATIC

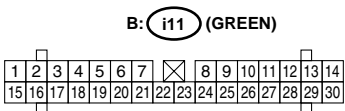
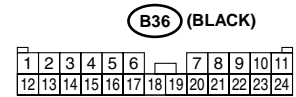
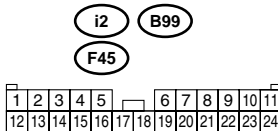
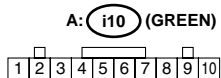
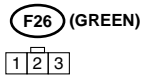
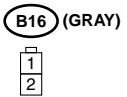
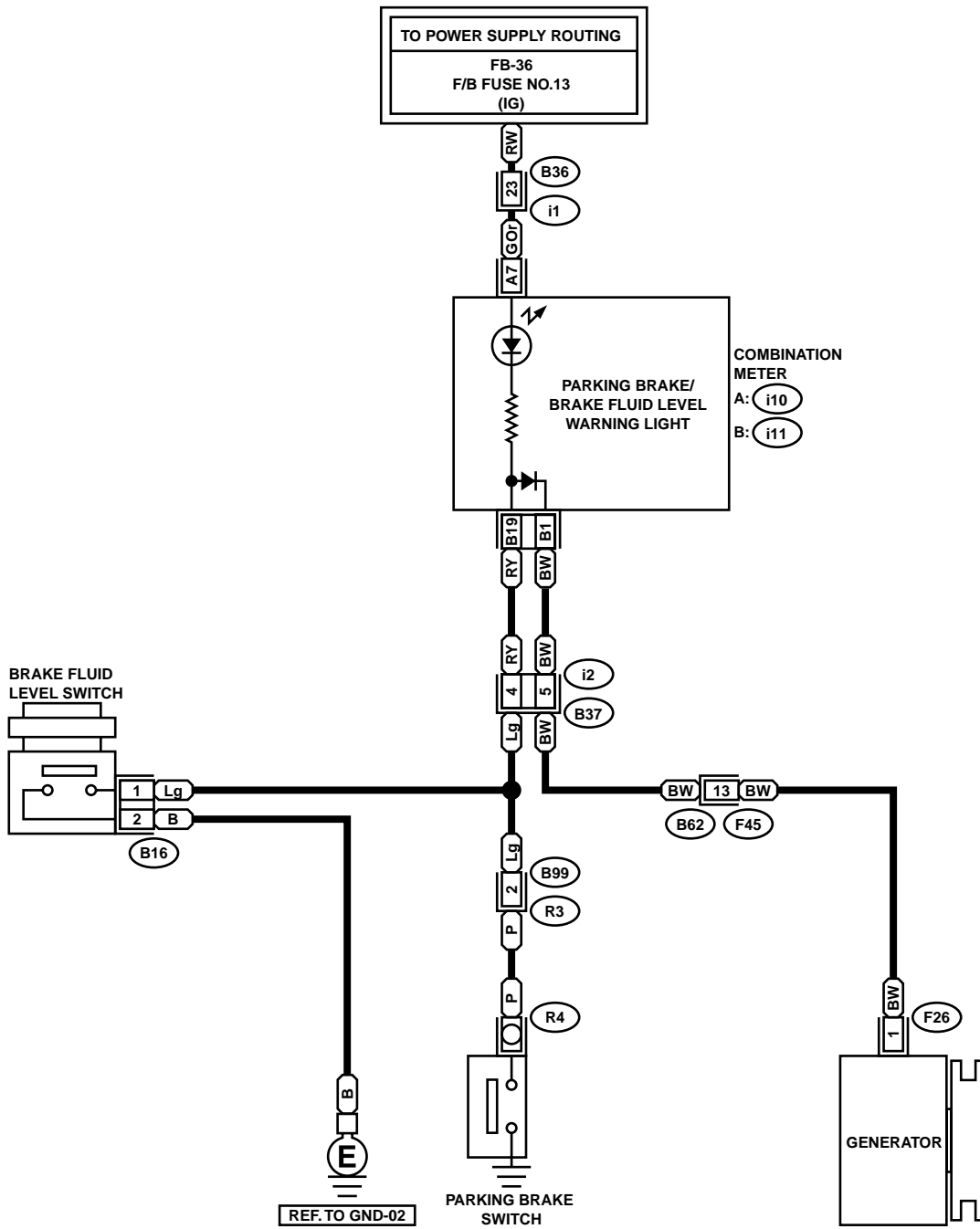
PARKING BRAKE AND BRAKE FLUID LEVEL WARNING SYSTEM

WIRING SYSTEM

1. LHD MODEL

BR/W(L)-01

BR/W(L)-01



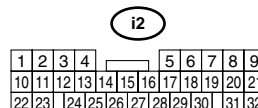
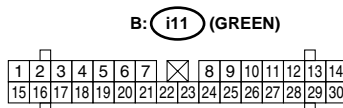
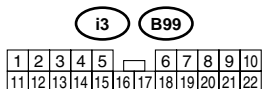
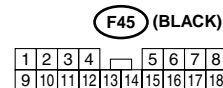
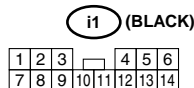
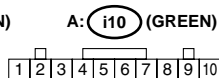
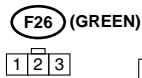
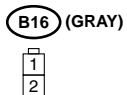
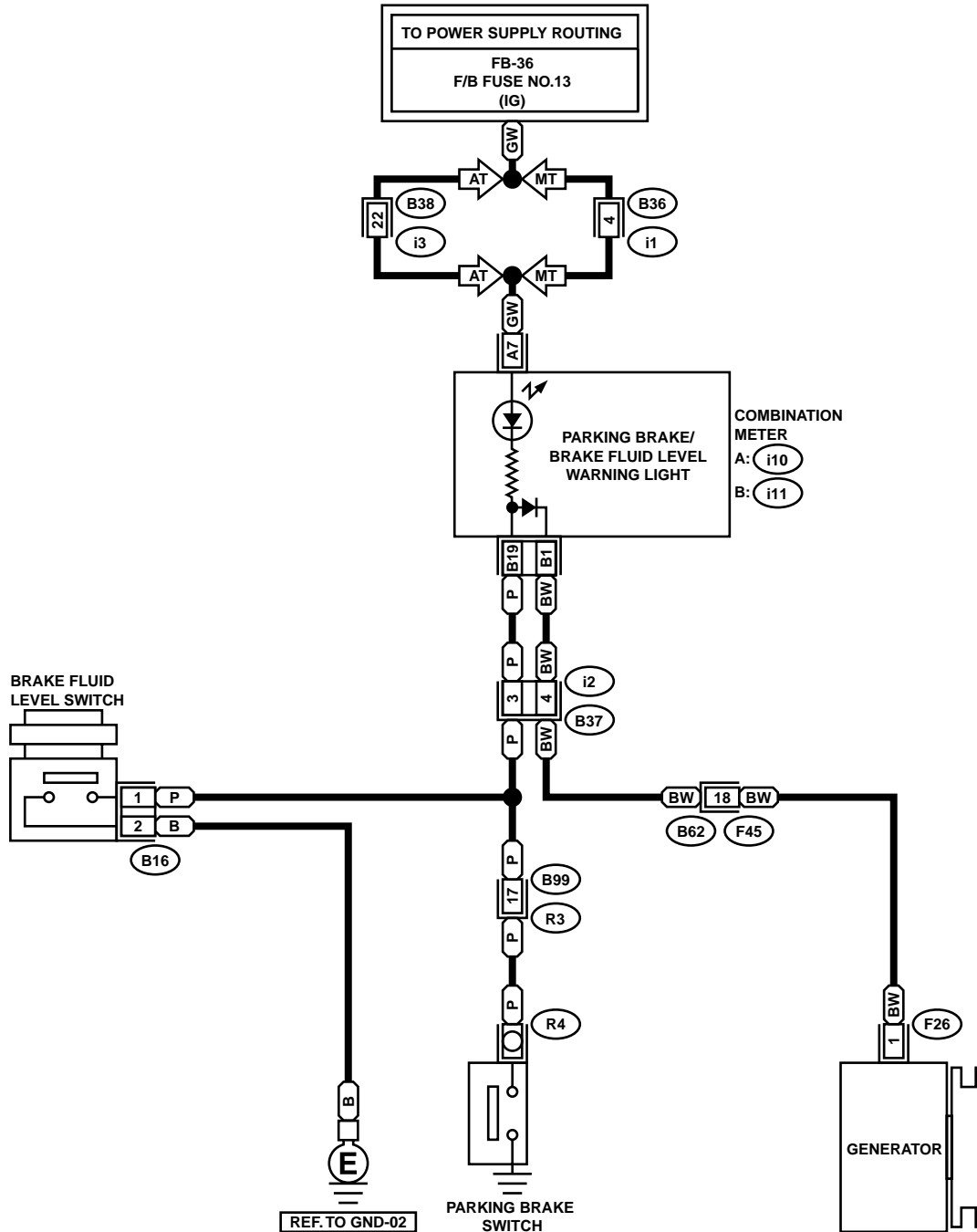
PARKING BRAKE AND BRAKE FLUID LEVEL WARNING SYSTEM

WIRING SYSTEM

2. RHD MODEL

BR/W(R)-01

BR/W(R)-01



GR60-20

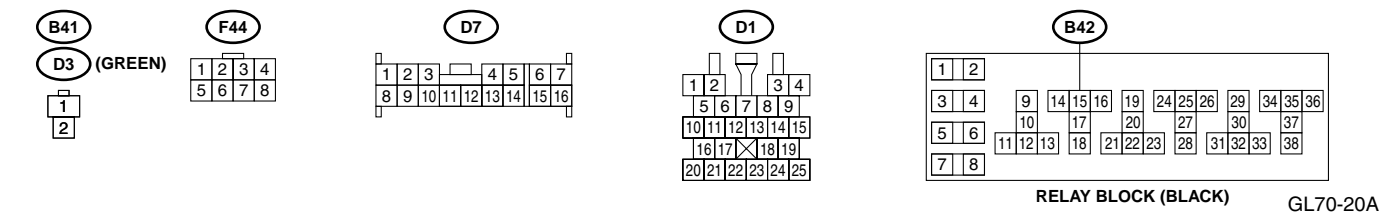
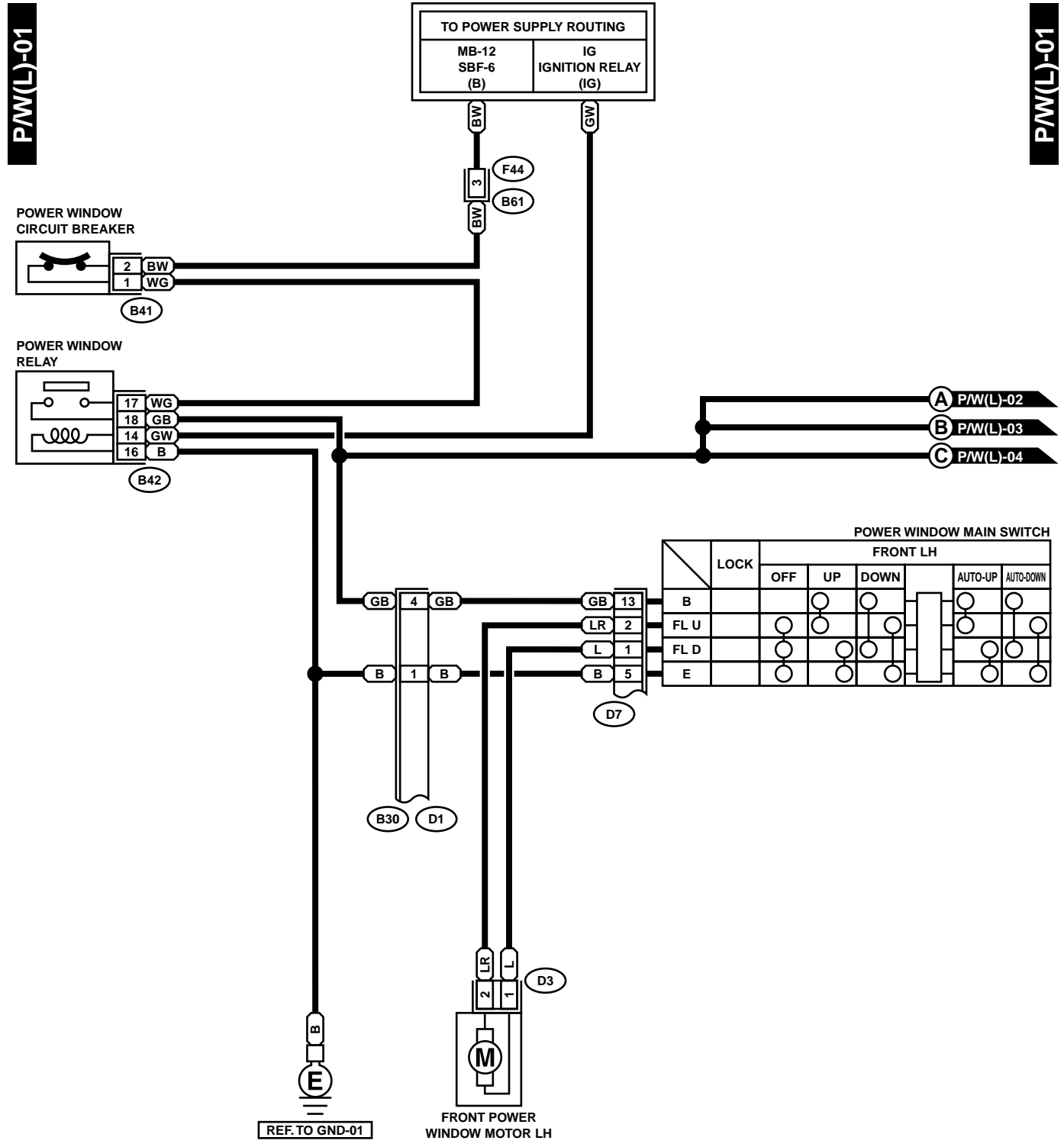
34.Power Window System

A: SCHEMATIC

POWER WINDOW SYSTEM

WIRING SYSTEM

1. LHD MODEL

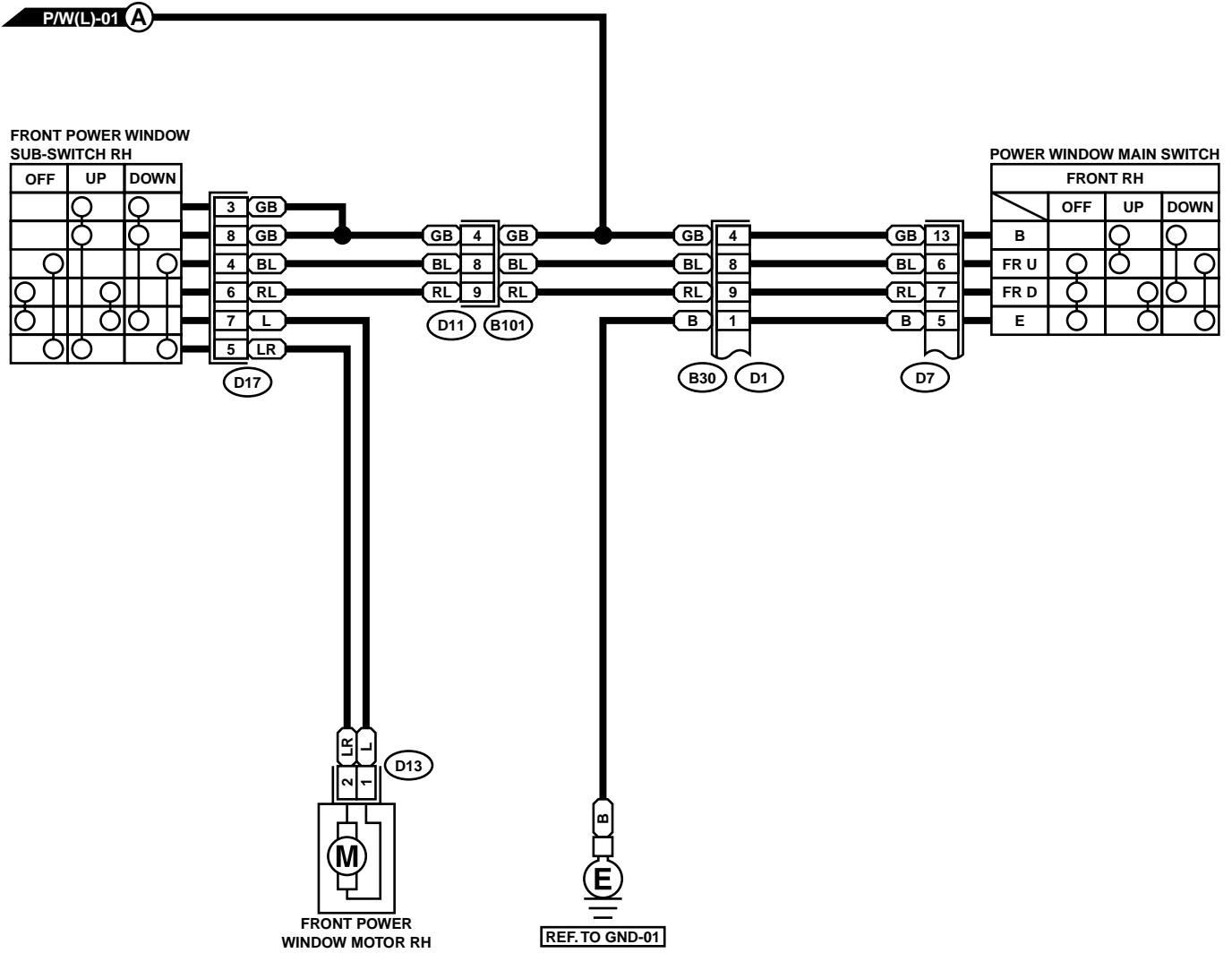


POWER WINDOW SYSTEM

WIRING SYSTEM

P/W(L)-02

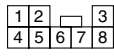
P/W(L)-02



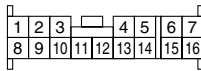
D13 (GREEN)



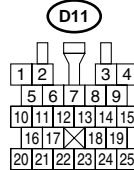
D17



D7



D1



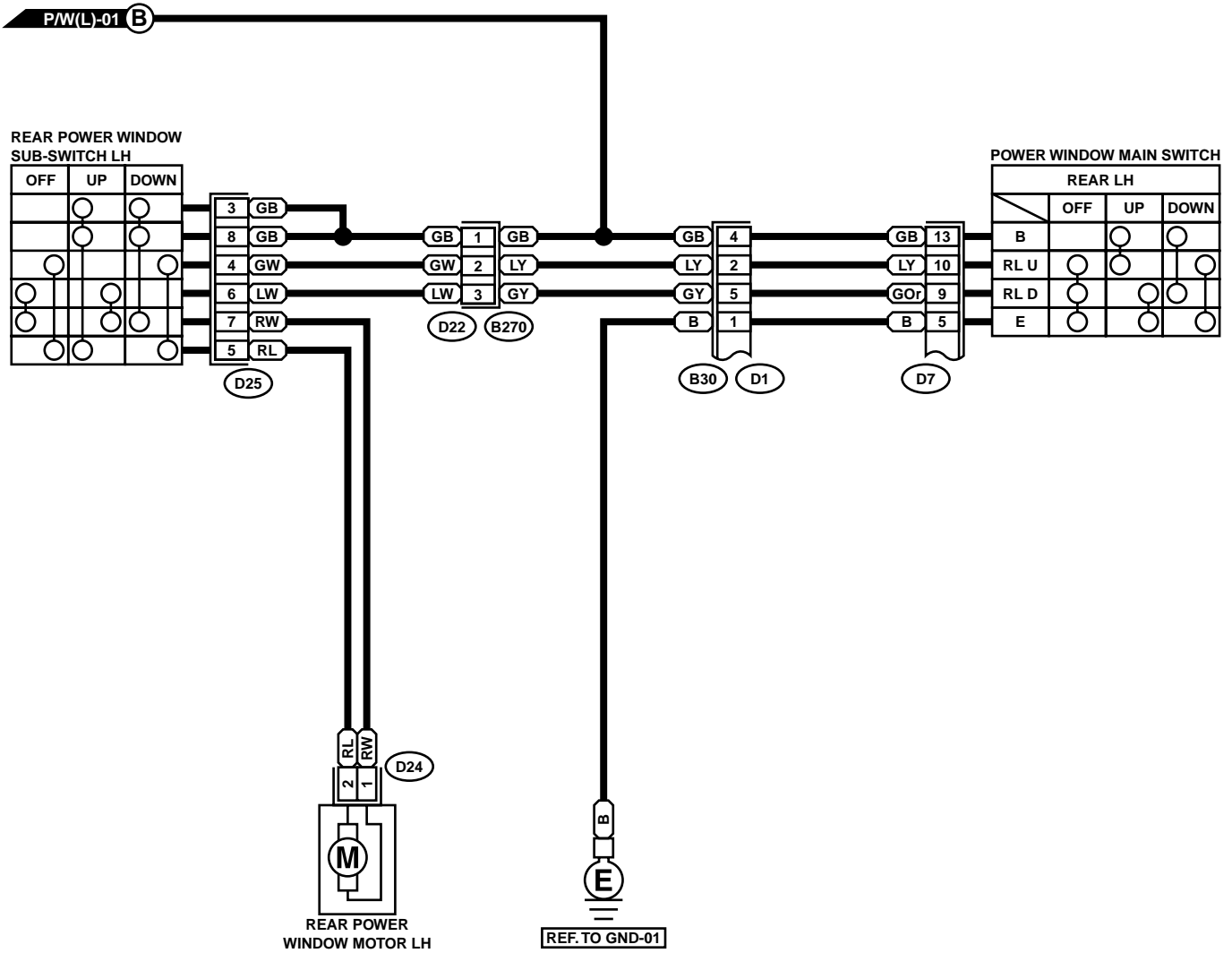
GL70-20B

POWER WINDOW SYSTEM

WIRING SYSTEM

P/W(L)-03

P/W(L)-03



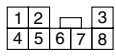
D24 (GREEN)



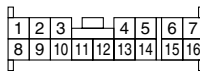
D22



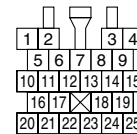
D25



D7



D1



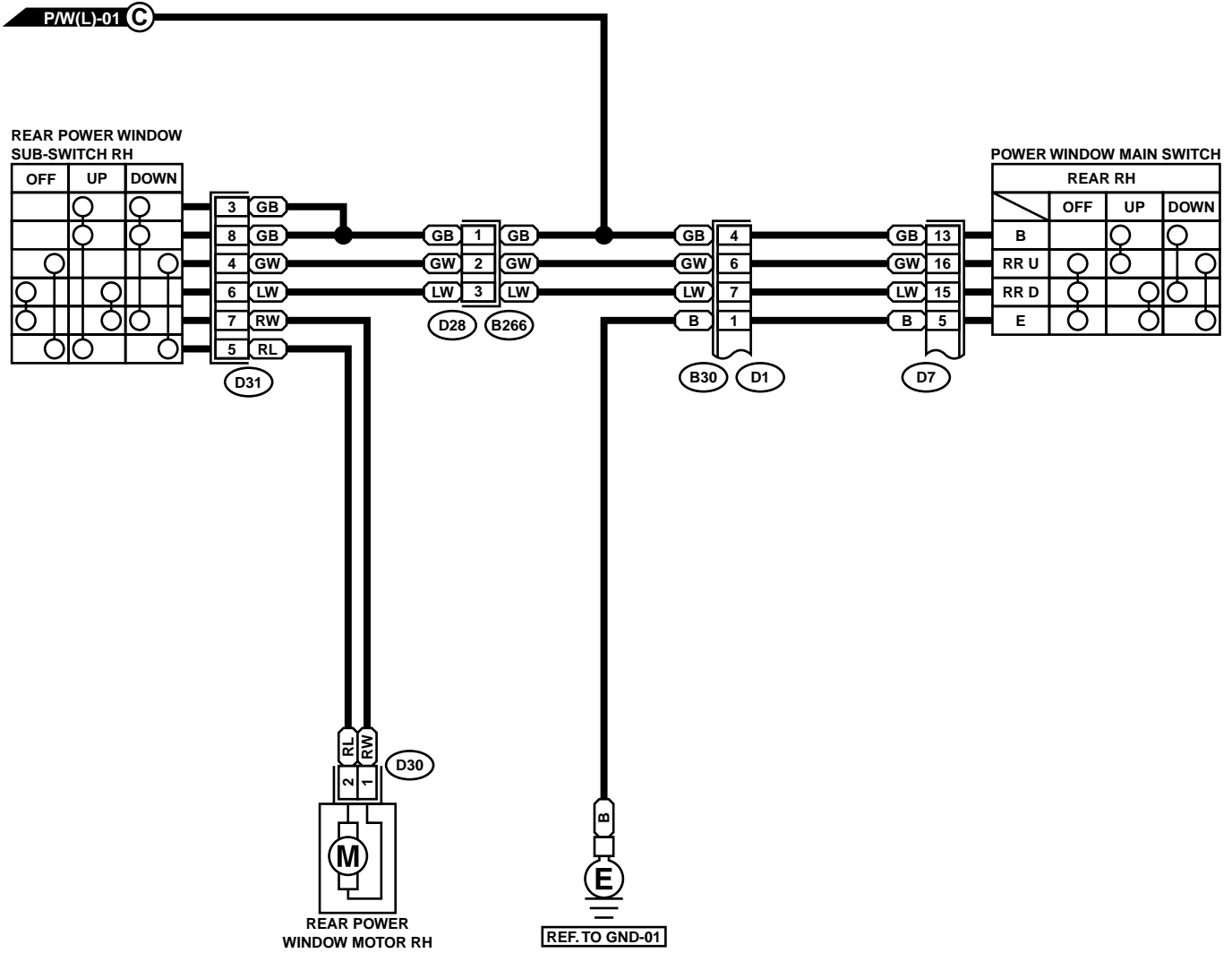
GL70-20C

POWER WINDOW SYSTEM

WIRING SYSTEM

P/W(L)-04

P/W(L)-04



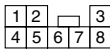
D30 (GREEN)



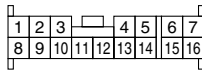
D28



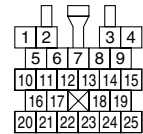
D31



D7



D1

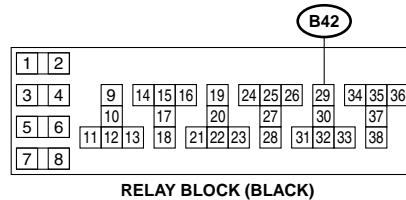
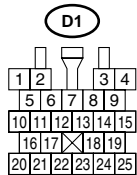
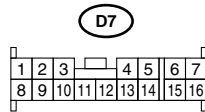
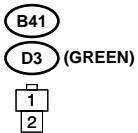
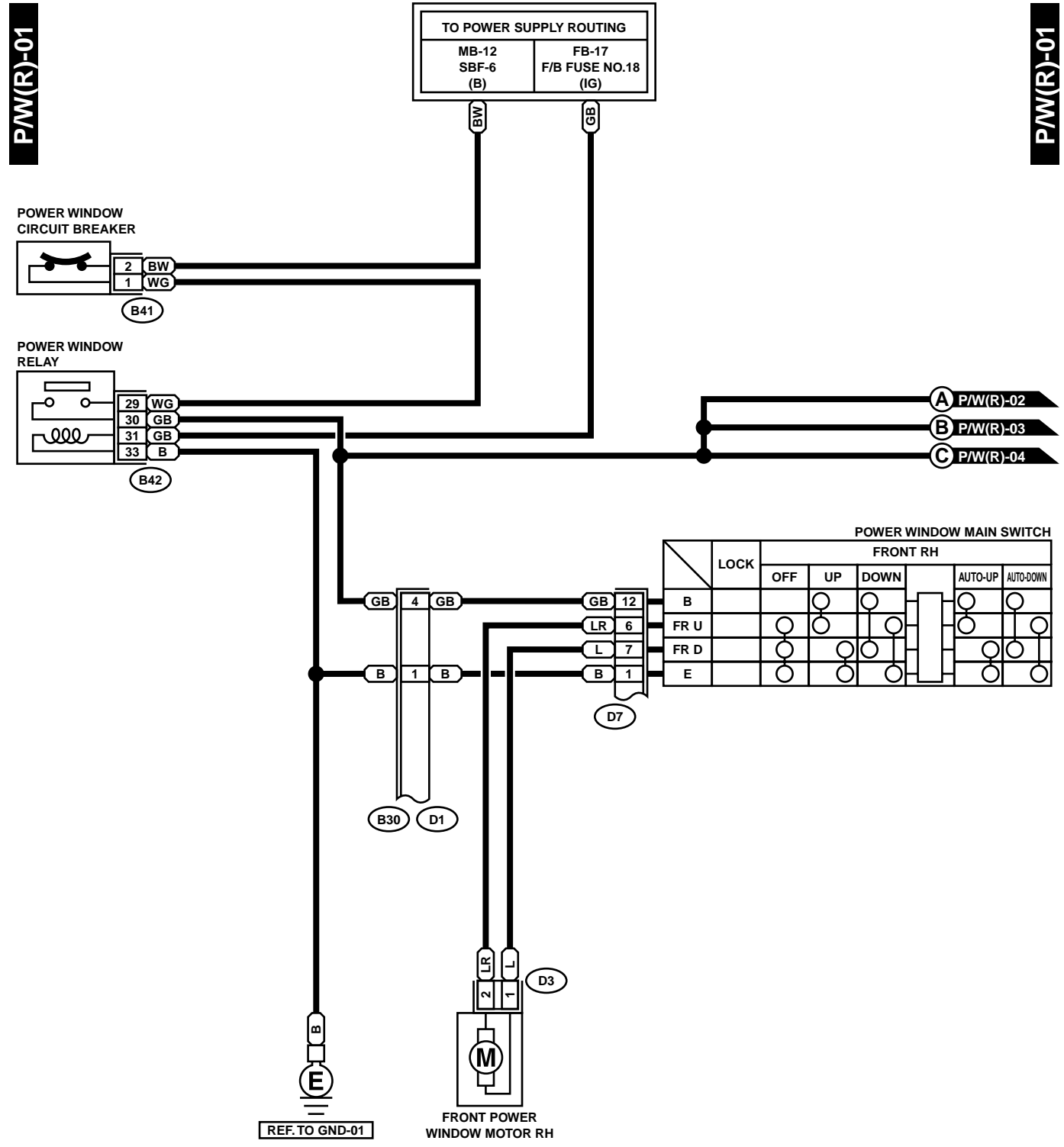


GL70-20D

POWER WINDOW SYSTEM

WIRING SYSTEM

2. RHD MODEL



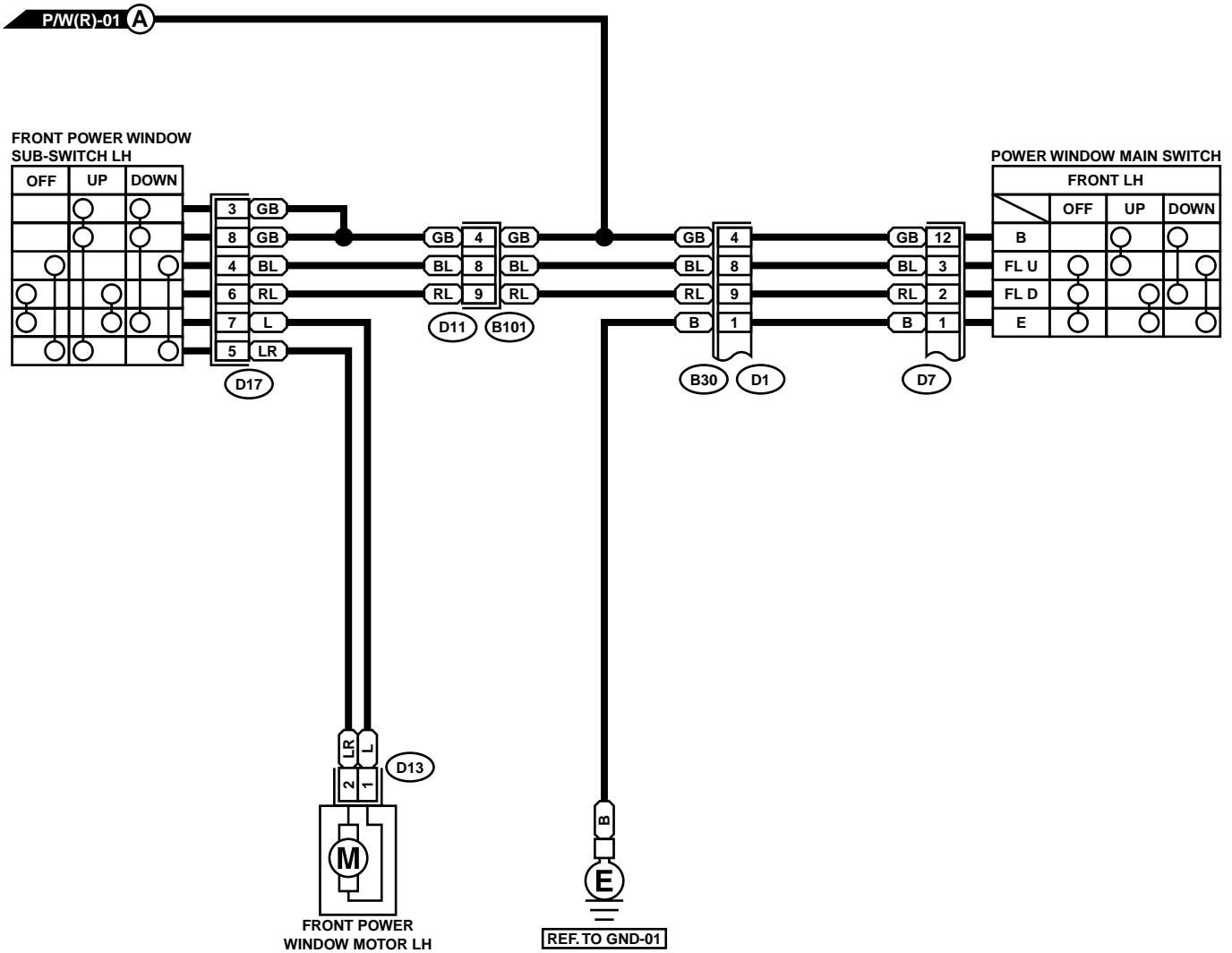
GR70-20A

POWER WINDOW SYSTEM

WIRING SYSTEM

P/W(R)-02

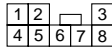
P/W(R)-02



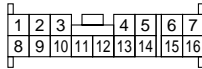
D13 (GREEN)



D17

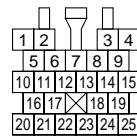


D7



D1

D11



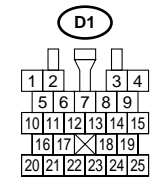
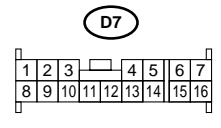
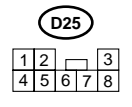
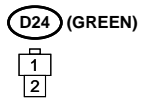
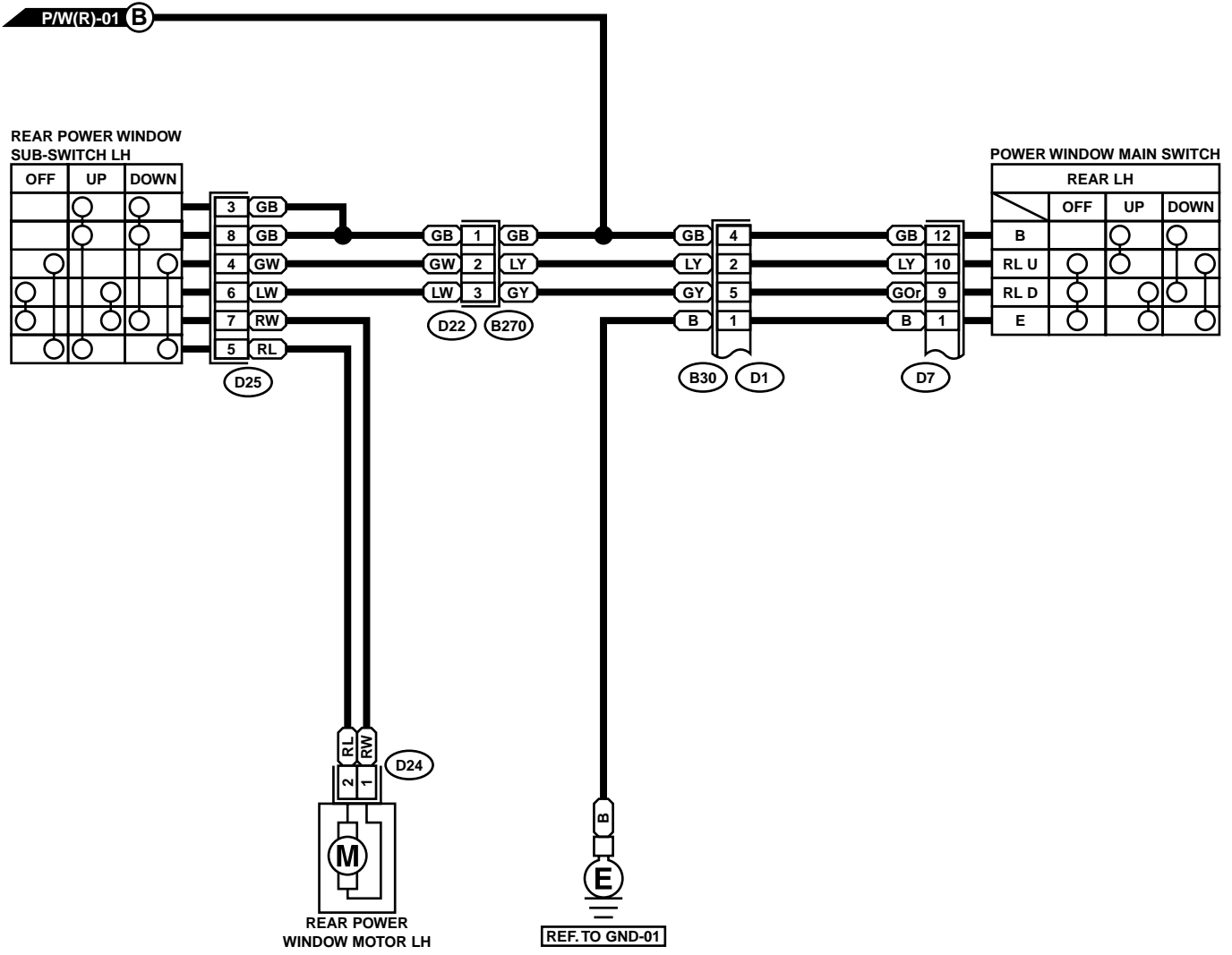
GR70-20B

POWER WINDOW SYSTEM

WIRING SYSTEM

P/W(R)-03

P/W(R)-03



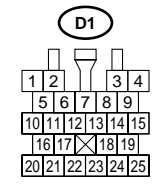
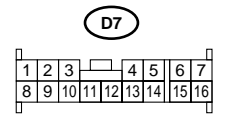
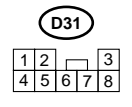
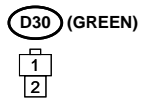
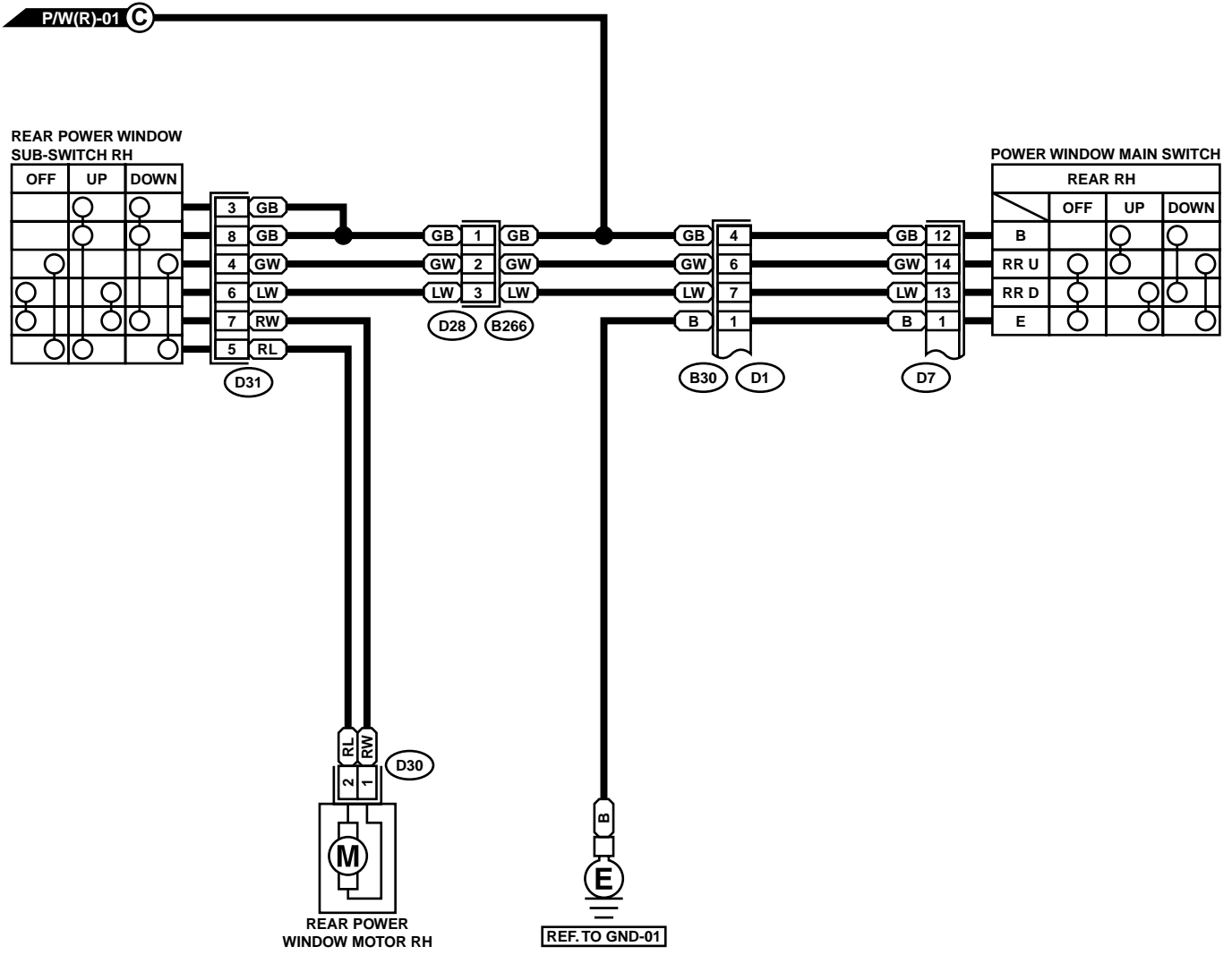
GR70-20C

POWER WINDOW SYSTEM

WIRING SYSTEM

P/W(R)-04

P/W(R)-04



GR70-20D

35.Radiator Fan System

A: SCHEMATIC

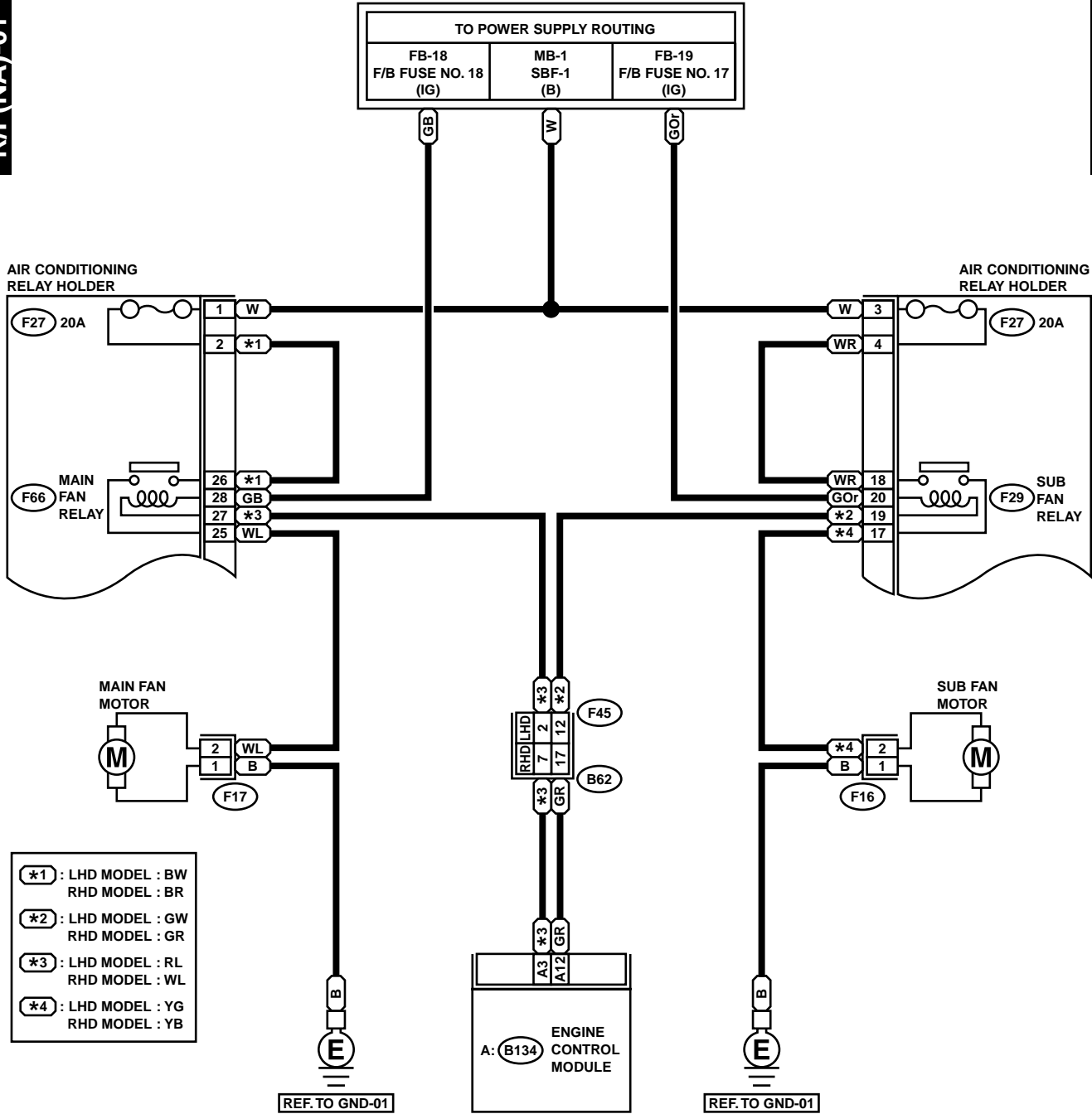
RADIATOR FAN SYSTEM

WIRING SYSTEM

1. NON-TURBO ENGINE MODEL

R/F(NA)-01

R/F(NA)-01



F16 (BLACK)

RHD: F45 (BLACK)

LHD: F45

F27

F29

F66

F17 (BLACK)

| | | | | | | | | | |
|---|----|----|----|----|----|----|----|----|----|
| 1 | 2 | 3 | 4 | 5 | 6 | 7 | 8 | | |
| 9 | 10 | 11 | 12 | 13 | 14 | 15 | 16 | 17 | 18 |

| | | | | | | | | | | | | |
|----|----|----|----|----|----|----|----|----|----|----|----|----|
| 1 | 2 | 3 | 4 | 5 | 6 | 7 | 8 | 9 | 10 | 11 | | |
| 12 | 13 | 14 | 15 | 16 | 17 | 18 | 19 | 20 | 21 | 22 | 23 | 24 |

| | | | | | | | | | | | |
|---|---|---|----|----|----|----|----|----|----|----|----|
| 1 | 2 | 5 | 6 | 9 | 13 | 14 | 17 | 21 | 22 | 25 | 29 |
| 3 | 4 | 7 | 10 | 15 | 18 | 23 | 26 | | | | |
| | | 8 | 11 | 12 | 16 | 19 | 20 | 24 | 27 | 28 | 30 |

RELAY HOLDER (BLACK)

A: B134

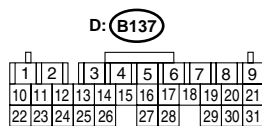
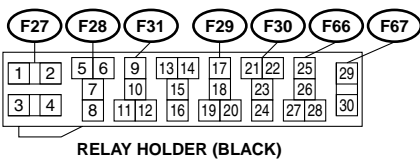
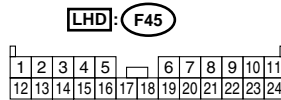
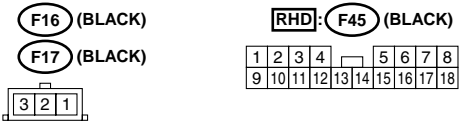
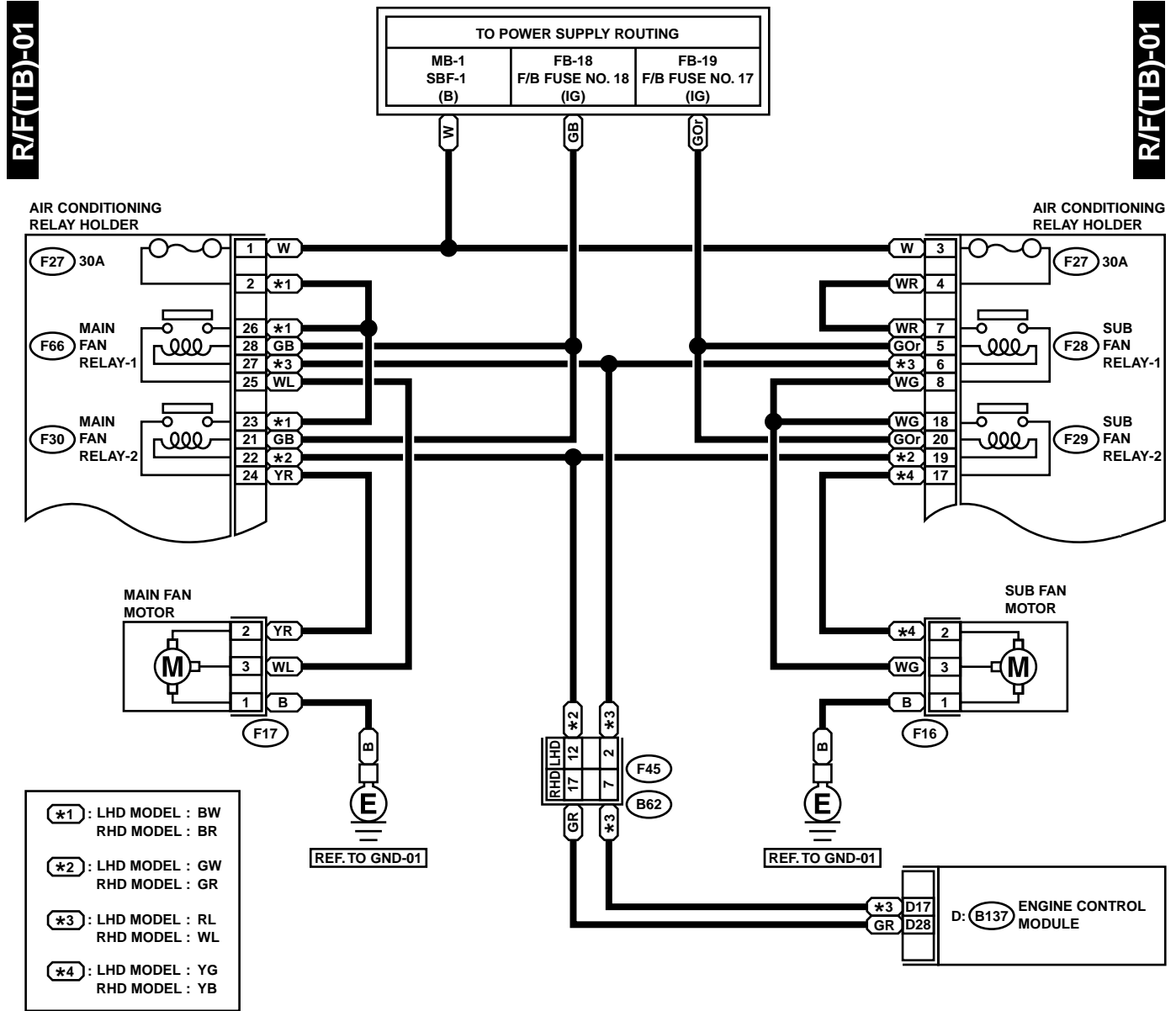
| | | | | | | | | | | | | | | |
|----|----|----|----|----|----|----|----|----|----|----|----|----|----|----|
| 1 | 2 | 3 | 4 | 5 | 6 | 7 | 8 | | | | | | | |
| 9 | 10 | 11 | 12 | 13 | 14 | 15 | 16 | 17 | 18 | 19 | 20 | 21 | 22 | 23 |
| 24 | 25 | 26 | 27 | 28 | 29 | 30 | 31 | 32 | 33 | 34 | 35 | | | |

GG14-21

RADIATOR FAN SYSTEM

WIRING SYSTEM

2. TURBO ENGINE MODEL



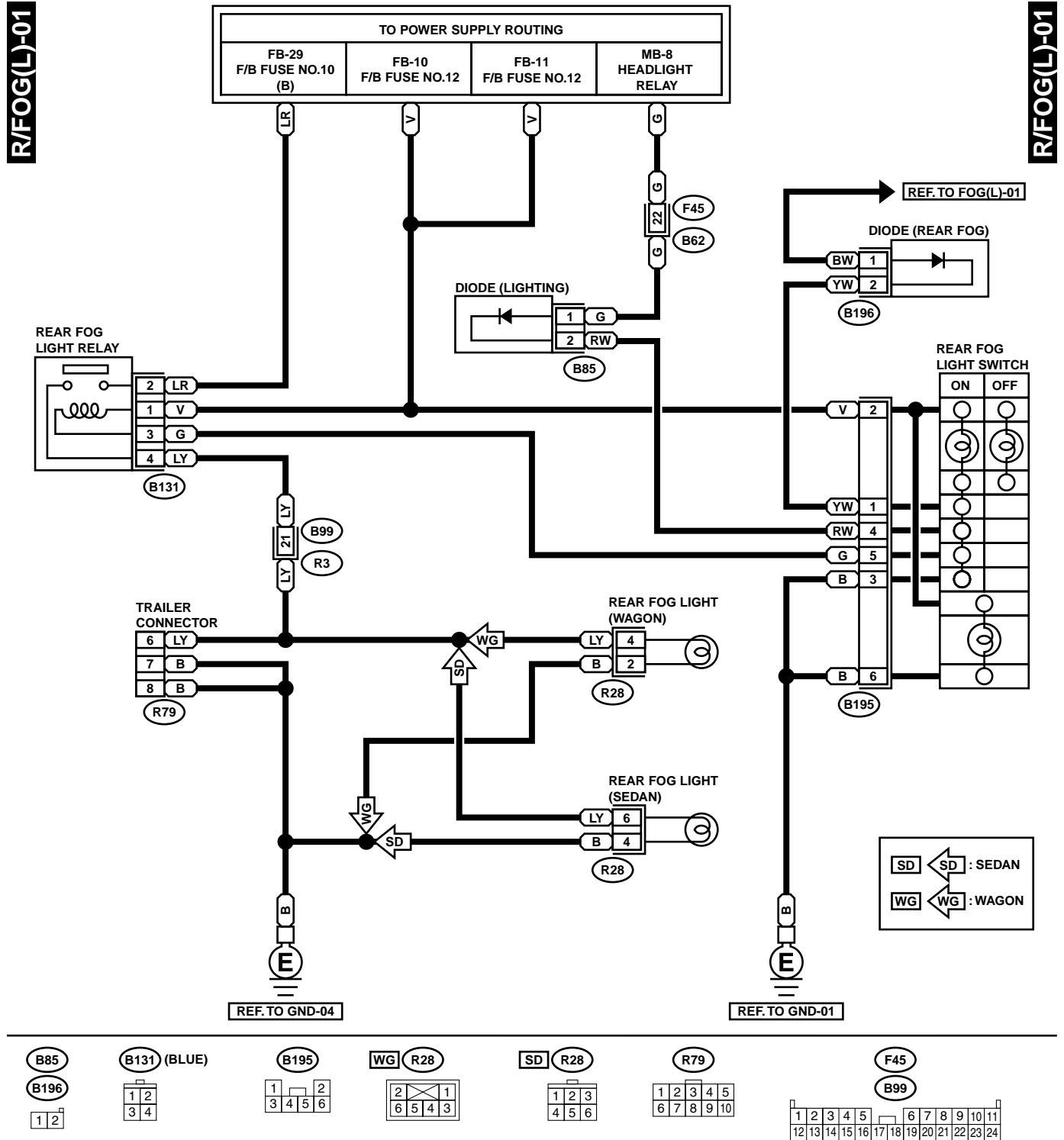
36.Rear Fog Light System

A: SCHEMATIC

REAR FOG LIGHT SYSTEM

WIRING SYSTEM

1. LHD MODEL



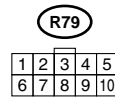
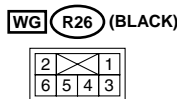
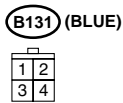
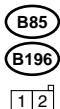
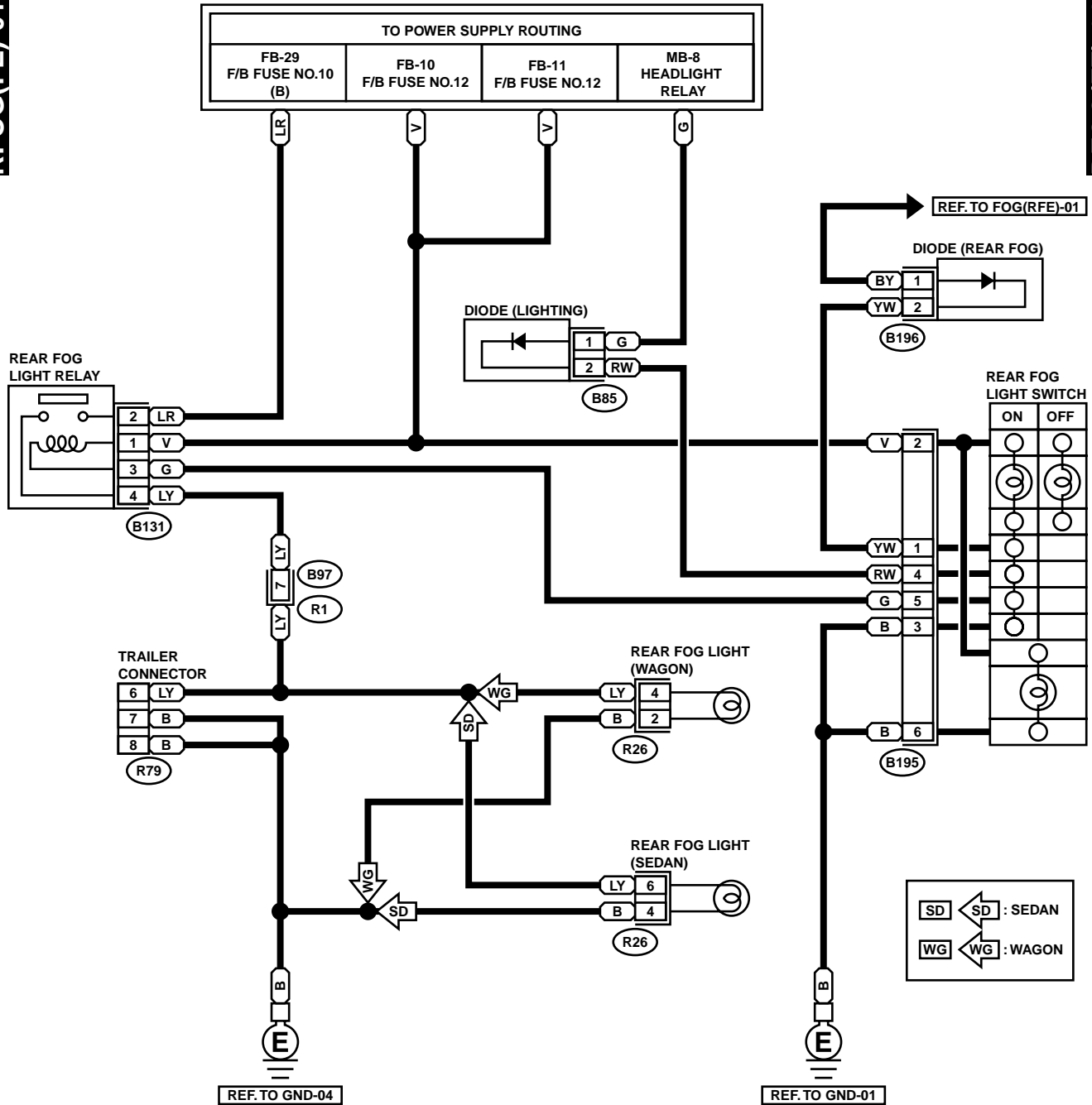
REAR FOG LIGHT SYSTEM

WIRING SYSTEM

2. RHD FOR EUROPE MODEL

RFOG(FE)-01

RFOG(FE)-01



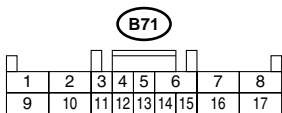
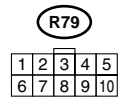
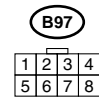
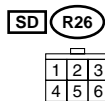
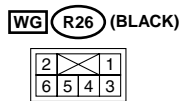
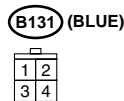
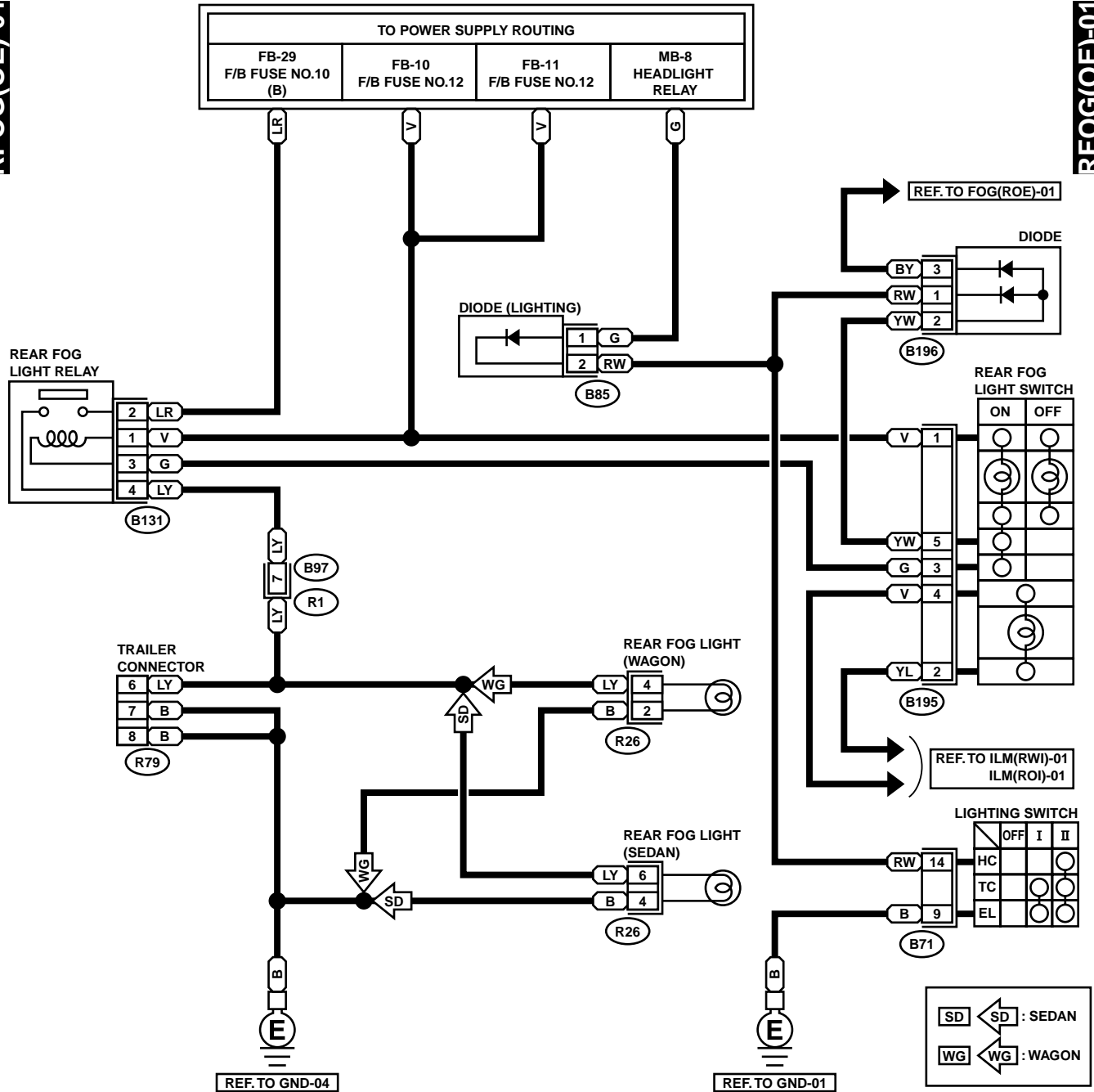
REAR FOG LIGHT SYSTEM

WIRING SYSTEM

3. RHD EXCEPT FOR EUROPE MODEL

RFOG(OE)-01

RFOG(OE)-01



GR30-21

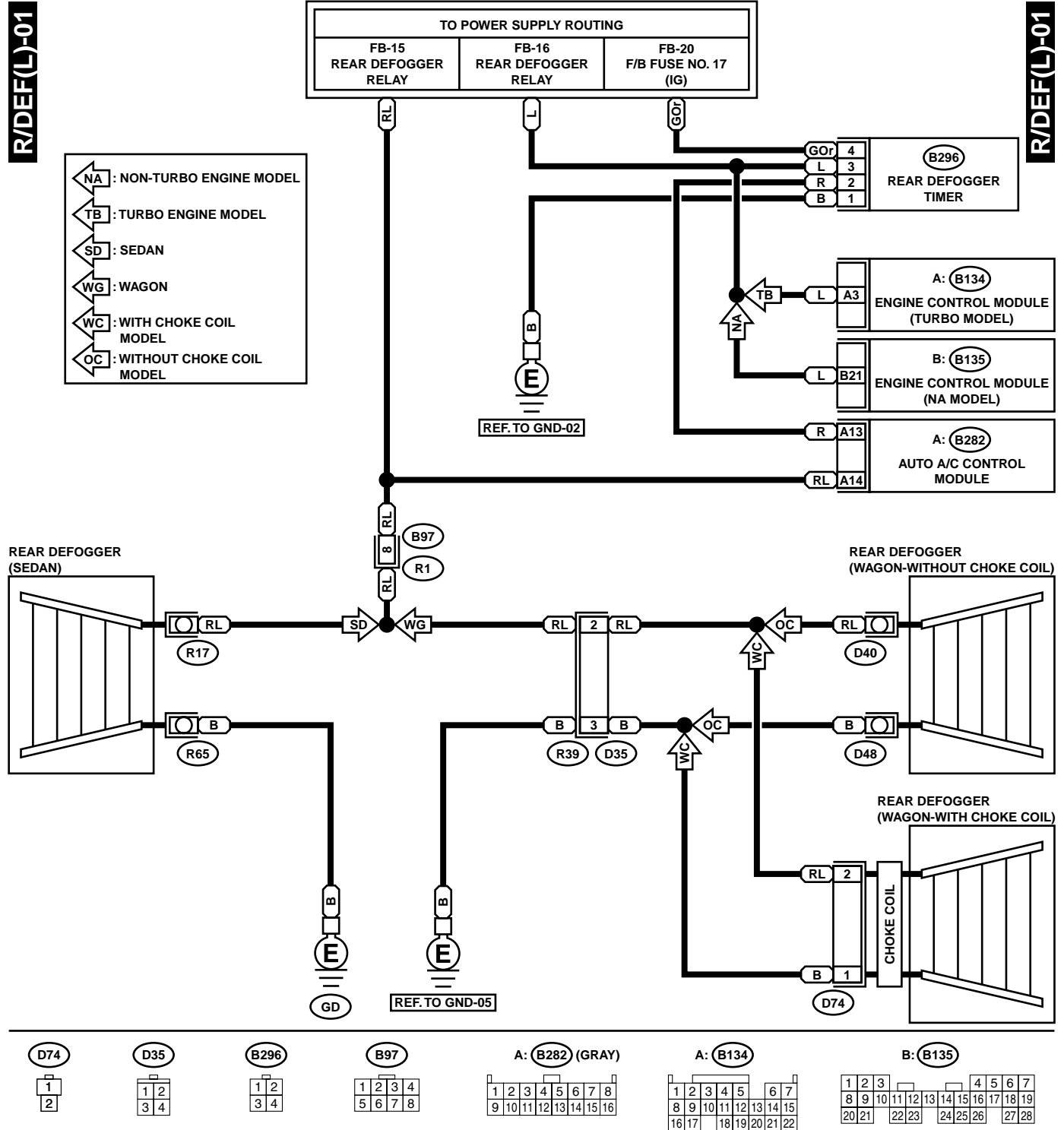
37.Rear Window Defogger System

A: SCHEMATIC

REAR WINDOW DEFOGGER SYSTEM

WIRING SYSTEM

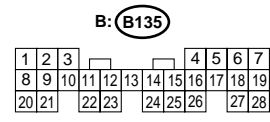
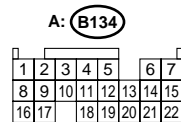
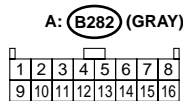
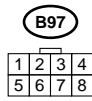
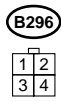
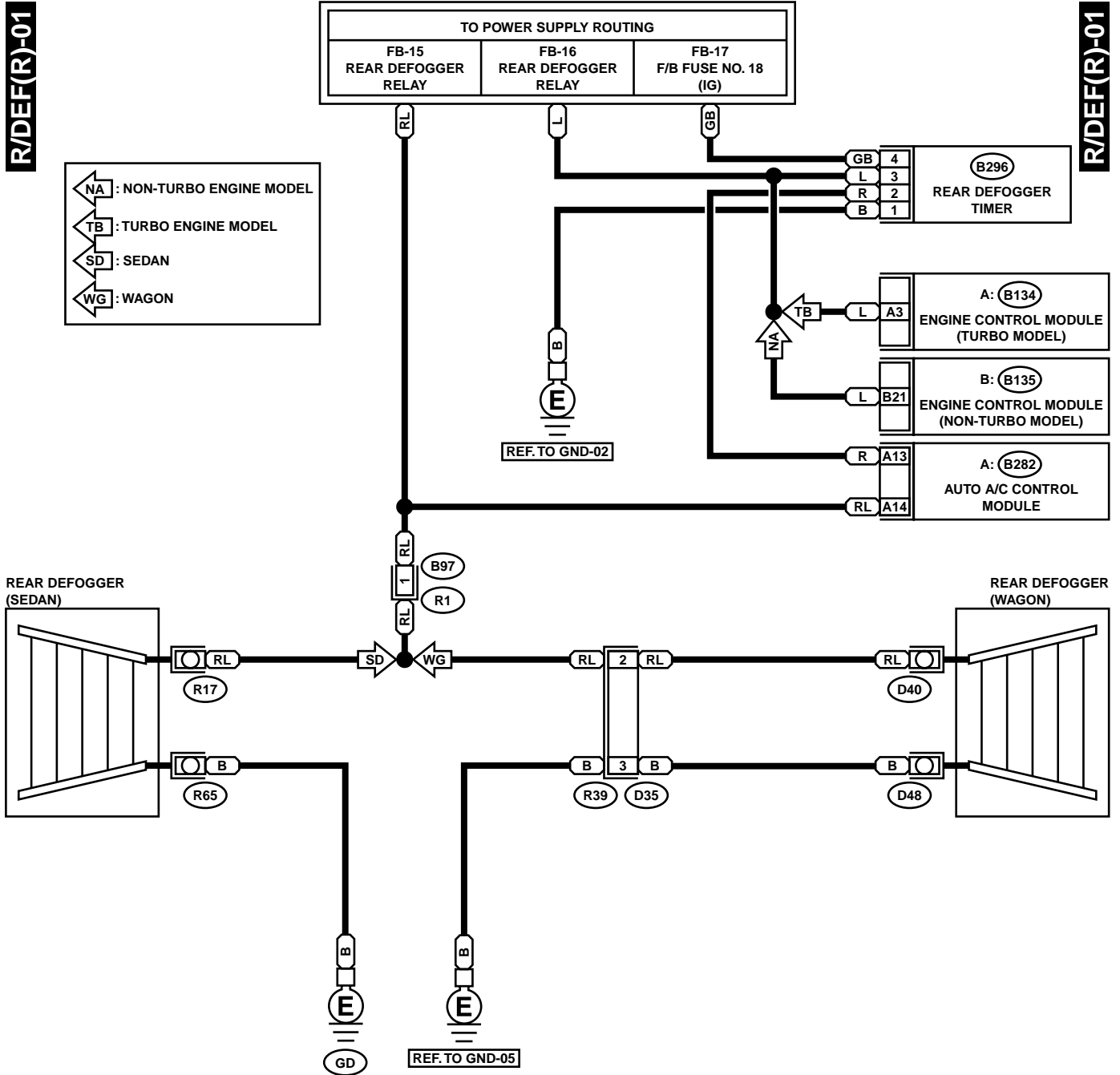
1. LHD MODEL



REAR WINDOW DEFOGGER SYSTEM

WIRING SYSTEM

2. RHD MODEL



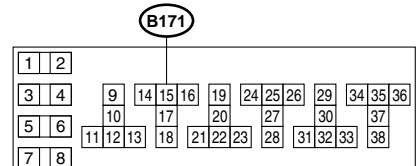
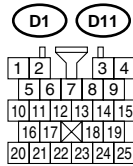
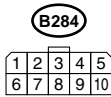
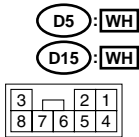
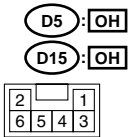
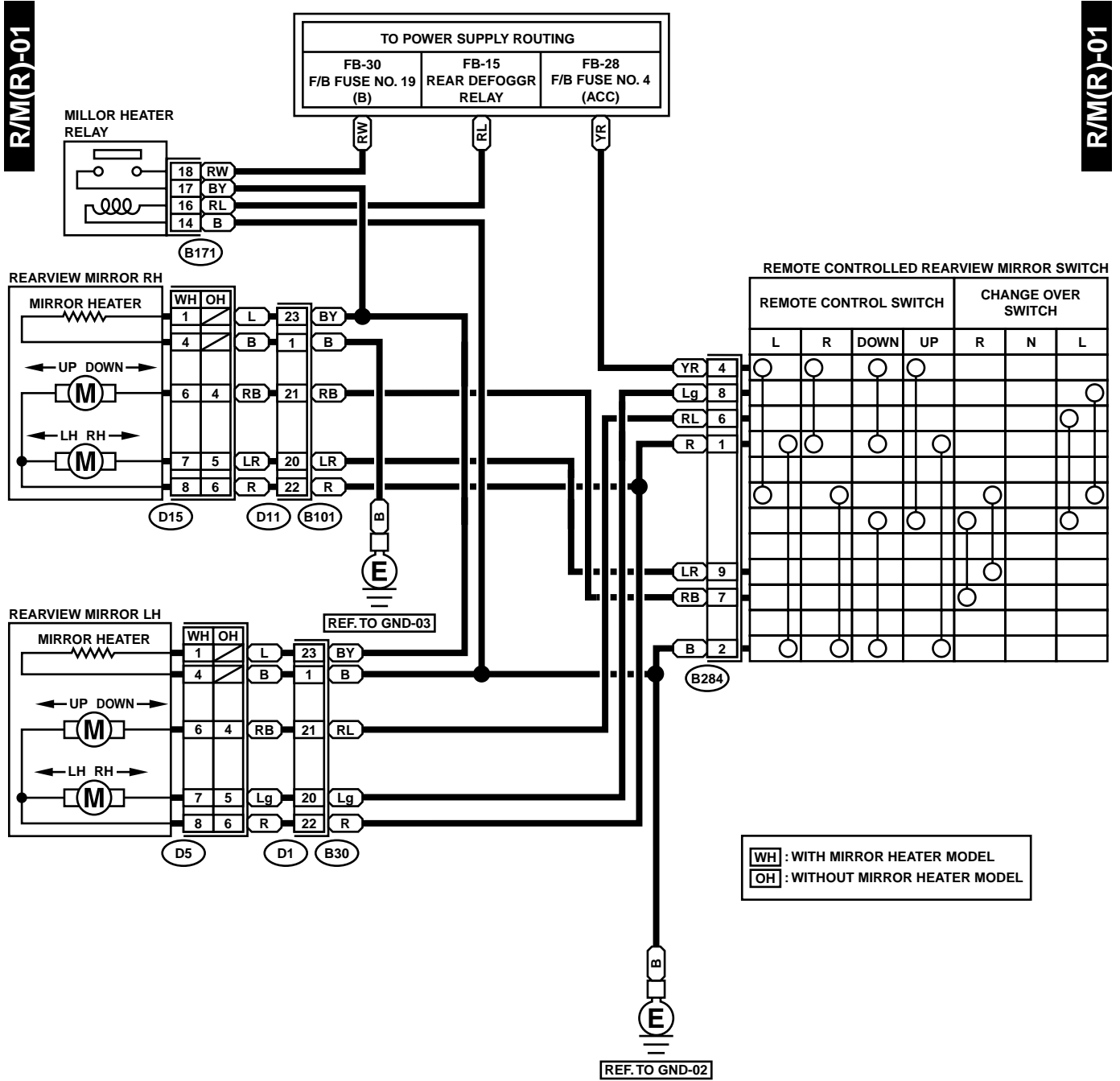
38.Remote Controlled Rearview Mirror System

A: SCHEMATIC

REMOTE CONTROLLED REARVIEW MIRROR SYSTEM

WIRING SYSTEM

2. RHD MODEL



RELAY BLOCK (BLACK)

39.Seat Belt Warning System

A: SCHEMATIC

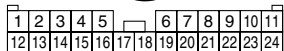
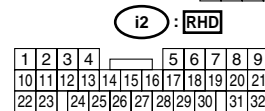
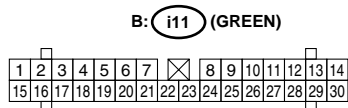
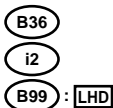
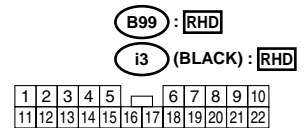
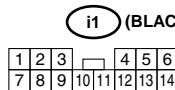
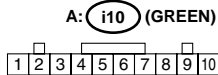
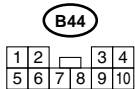
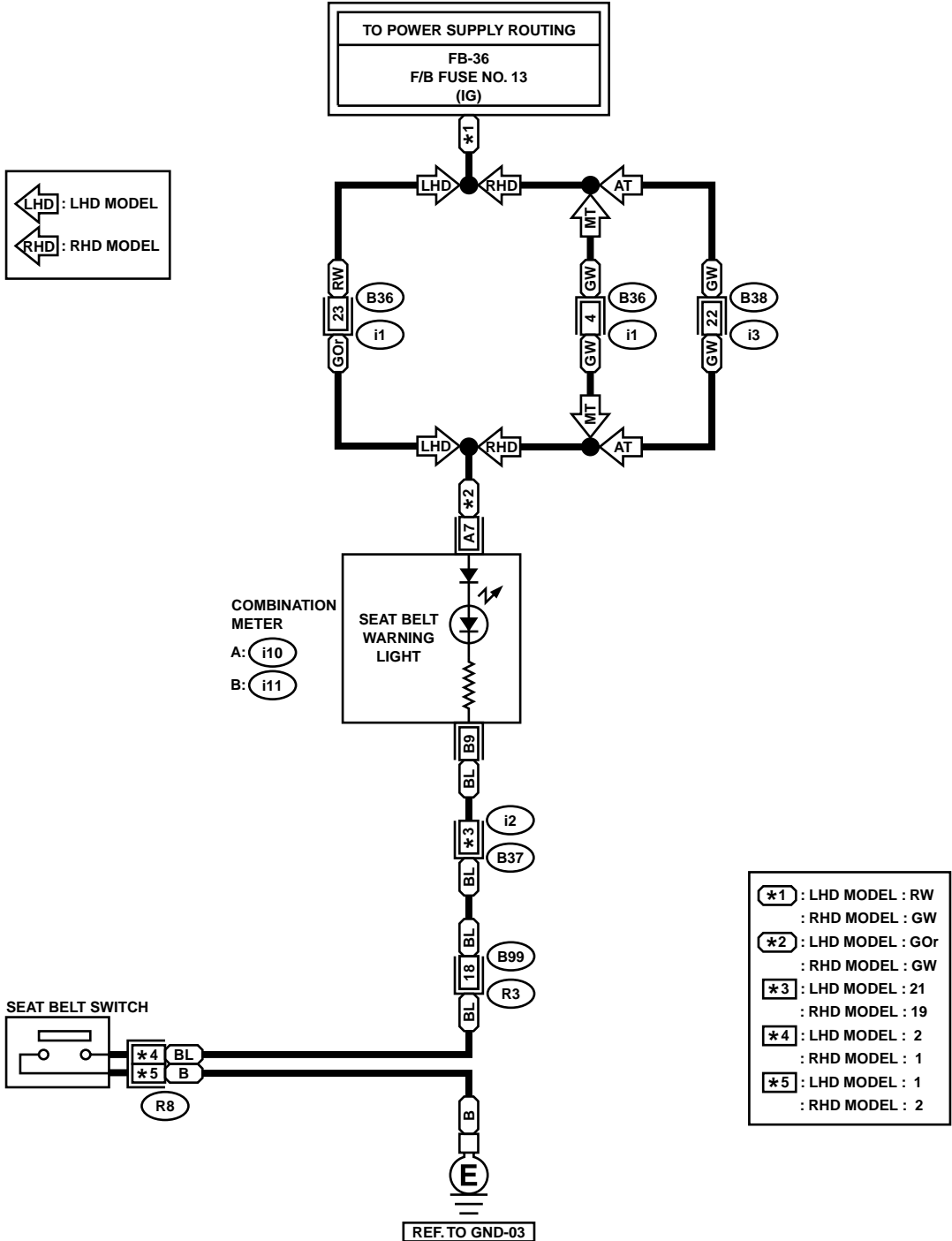
SEAT BELT WARNING SYSTEM

WIRING SYSTEM

1. WITHOUT SEAT BELT TIMER MODEL

S/BELT-01

S/BELT-01



GG87-20

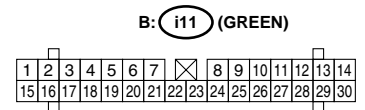
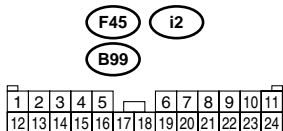
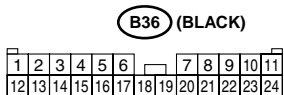
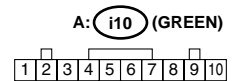
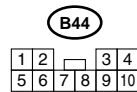
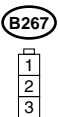
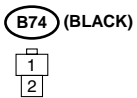
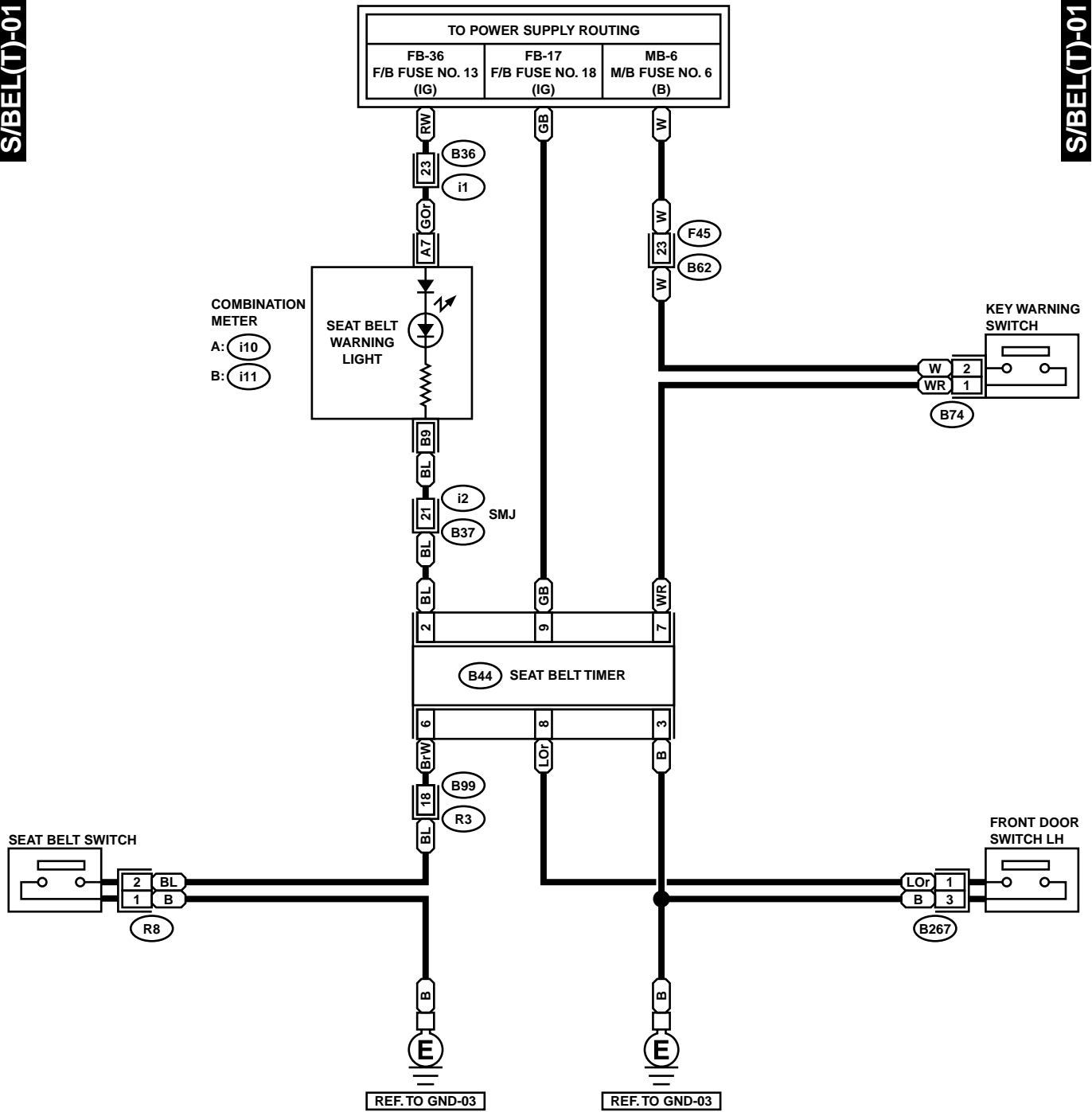
SEAT BELT WARNING SYSTEM

WIRING SYSTEM

2. WITH SEAT BELT TIMER MODEL

S/BEL(T)-01

S/BEL(T)-01



GL87-20

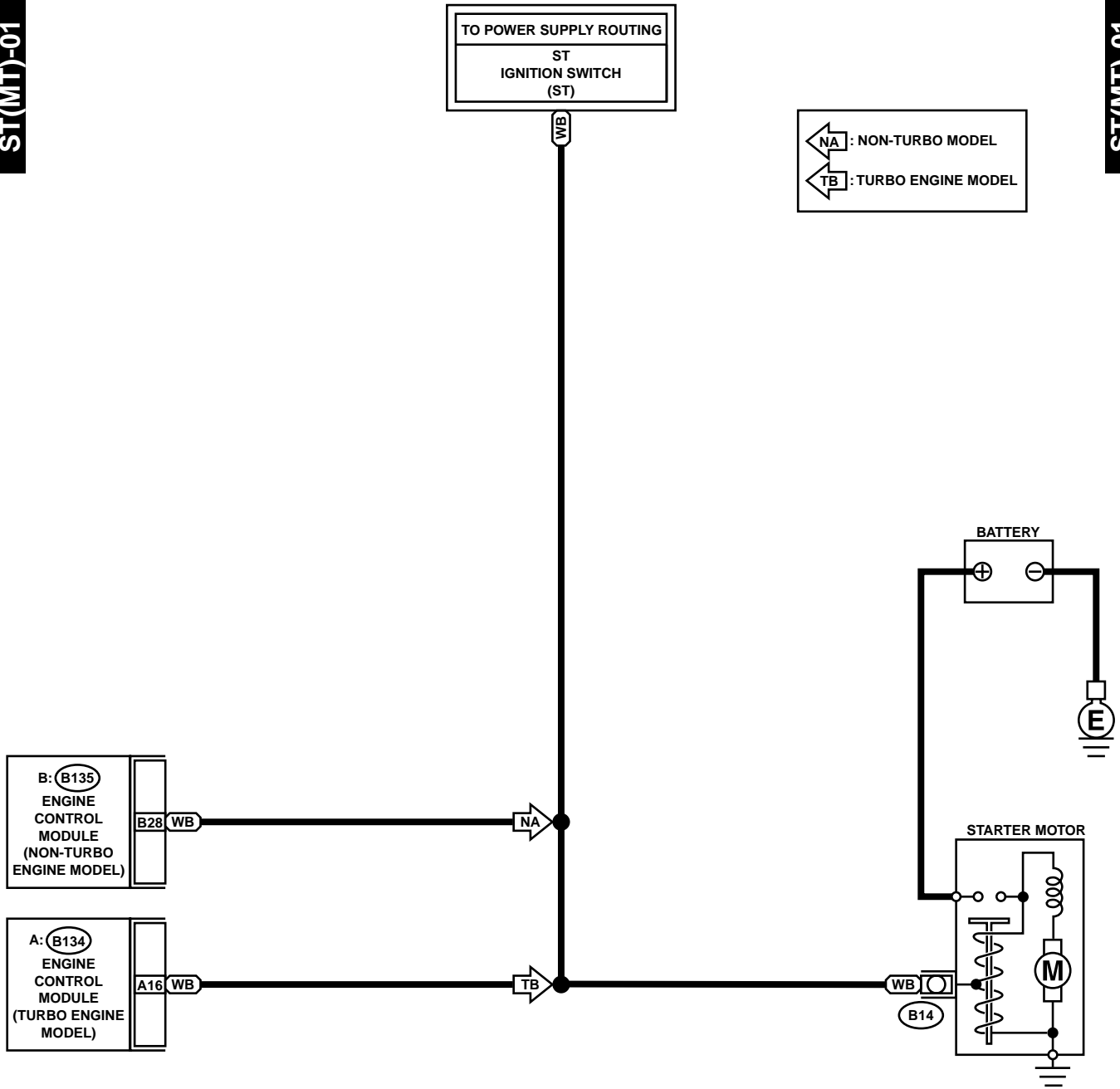
40.Starter System

A: SCHEMATIC

1. MT MODEL

ST(MT)-01

ST(MT)-01



A: (B134)

| | | | | | | | |
|----|----|----|----|----|----|----|----|
| 1 | 2 | 3 | 4 | 5 | 6 | 7 | |
| 8 | 9 | 10 | 11 | 12 | 13 | 14 | 15 |
| 16 | 17 | 18 | 19 | 20 | 21 | 22 | |

B: (B135)

| | | | | | | | | | | | |
|----|----|----|----|----|----|----|----|----|----|----|----|
| 1 | 2 | 3 | | | | 4 | 5 | 6 | 7 | | |
| 8 | 9 | 10 | 11 | 12 | 13 | 14 | 15 | 16 | 17 | 18 | 19 |
| 20 | 21 | 22 | 23 | 24 | 25 | 26 | 27 | 28 | | | |

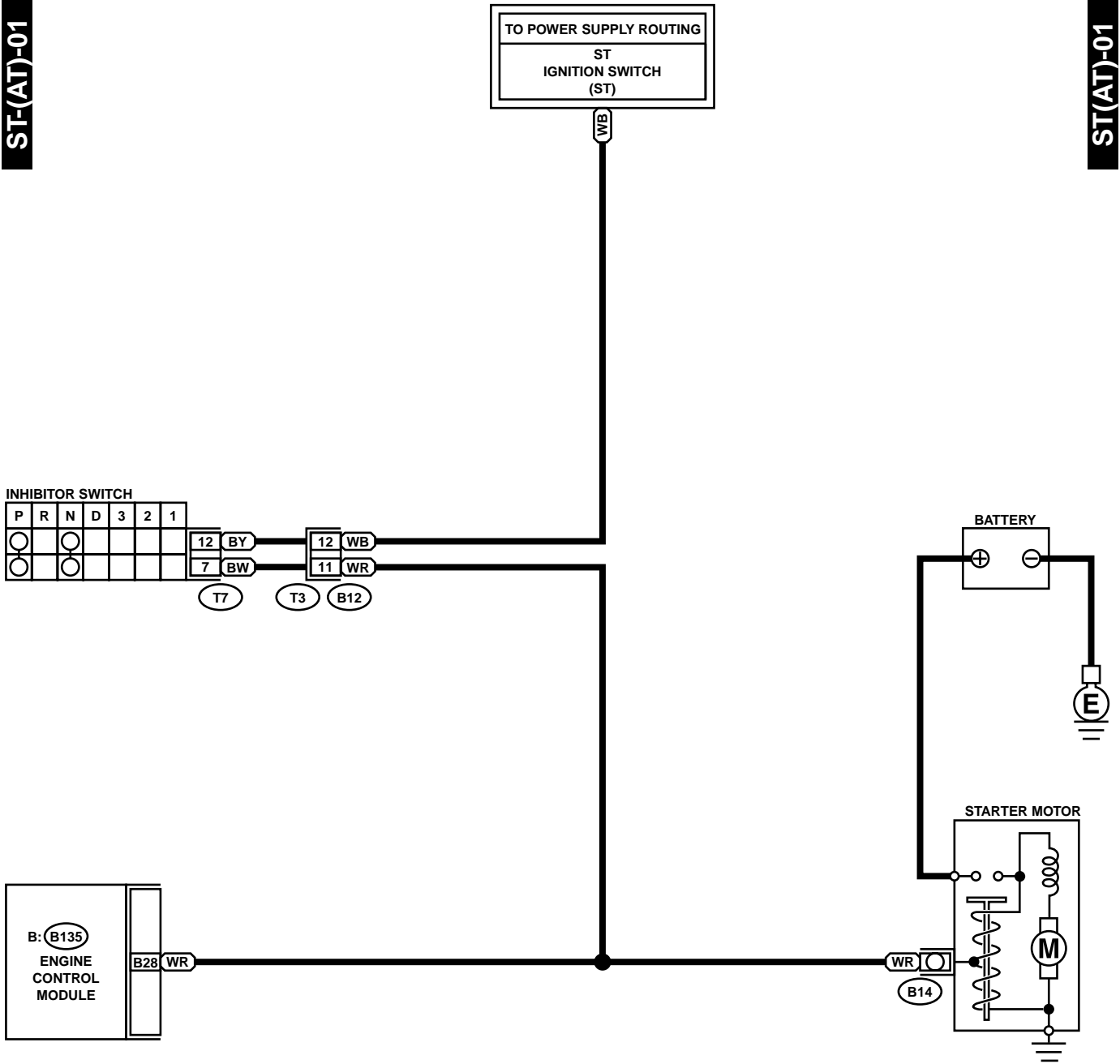
STARTER SYSTEM

WIRING SYSTEM

2. AT MODEL

ST(AT)-01

ST(AT)-01



(T7)

| | | | | | |
|---|---|---|----|----|----|
| 1 | 2 | 3 | 4 | 5 | 6 |
| 7 | 8 | 9 | 10 | 11 | 12 |

(B12)

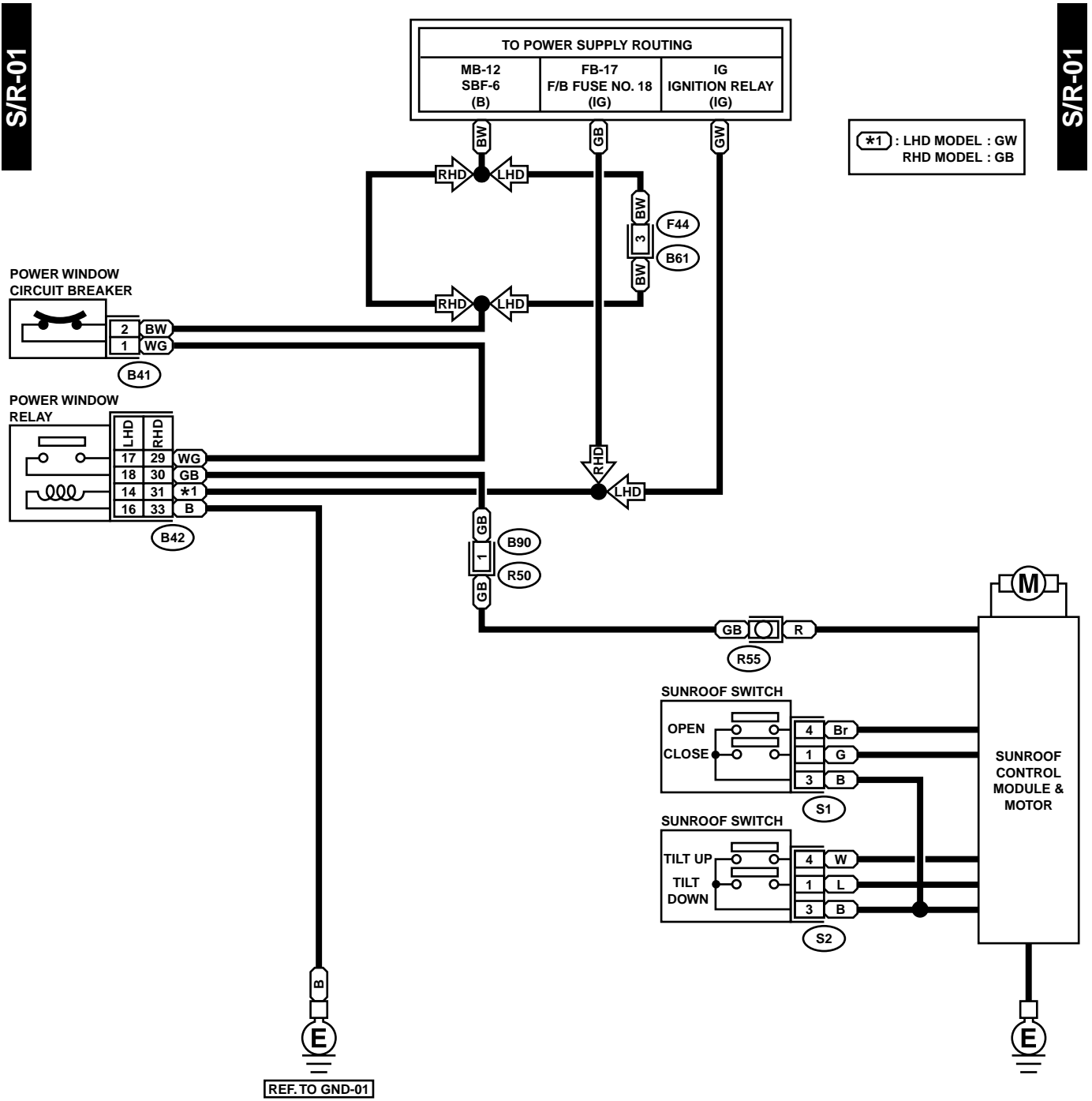
| | | | |
|---|----|----|----|
| 1 | 2 | 3 | 4 |
| 5 | 6 | 7 | 8 |
| 9 | 10 | 11 | 12 |

B: (B135)

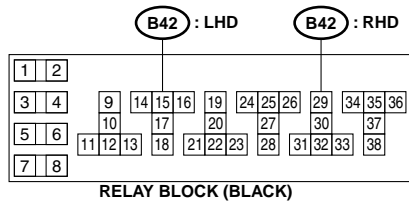
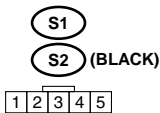
| | | | | | | | | |
|----|----|----|----|----|----|----|----|----|
| 1 | 2 | 3 | | | 4 | 5 | 6 | 7 |
| 8 | 9 | 10 | 11 | 12 | 13 | 14 | 15 | 16 |
| 17 | 18 | 19 | 20 | 21 | 22 | 23 | 24 | 25 |
| 26 | 27 | 28 | | | | | | |

41. Sunroof System

A: SCHEMATIC



REF. TO GND-01



WIPER AND WASHER SYSTEM (FRONT)

WIRING SYSTEM

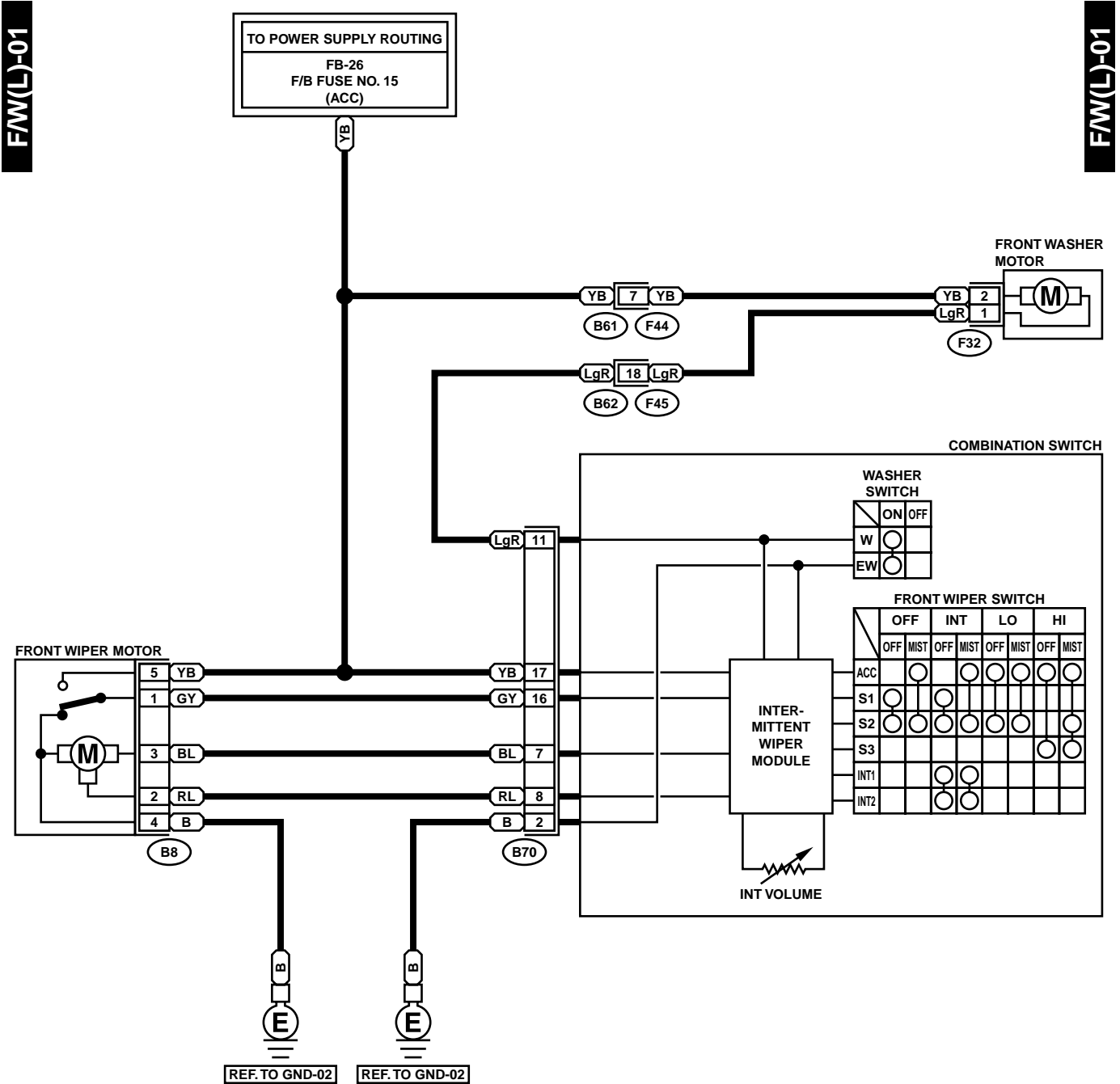
42. Wiper and Washer System (Front)

A: SCHEMATIC

WIPER AND WASHER SYSTEM (FRONT)

WIRING SYSTEM

1. LHD MODEL



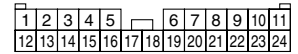
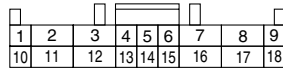
F32 (GREEN)

B8

B70

F44

F45



GL50-20

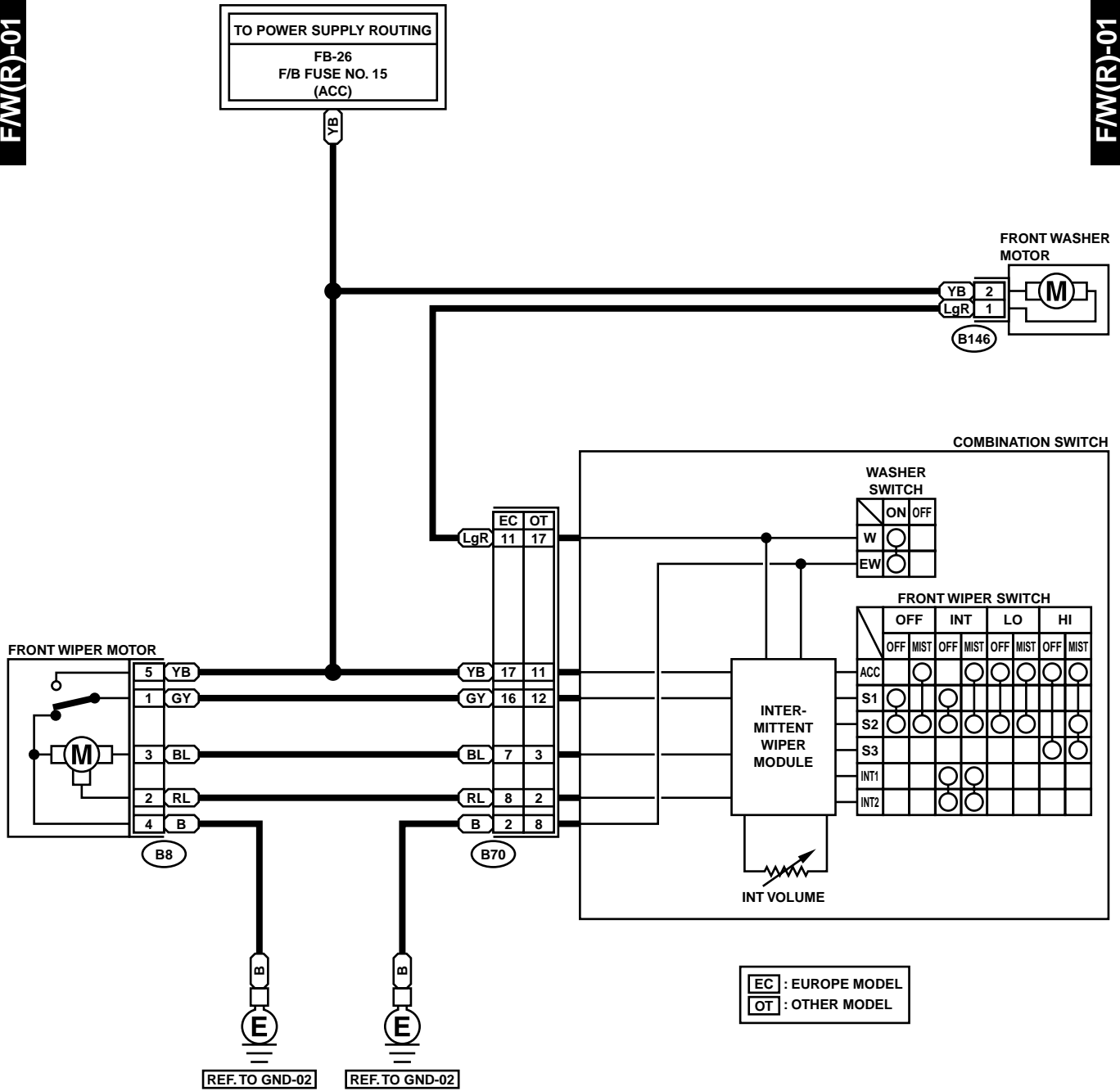
WIPER AND WASHER SYSTEM (FRONT)

WIRING SYSTEM

2. RHD MODEL

F/W(R)-01

F/W(R)-01



EC : EUROPE MODEL
OT : OTHER MODEL



43. Wiper and Washer System (Rear)

A: SCHEMATIC

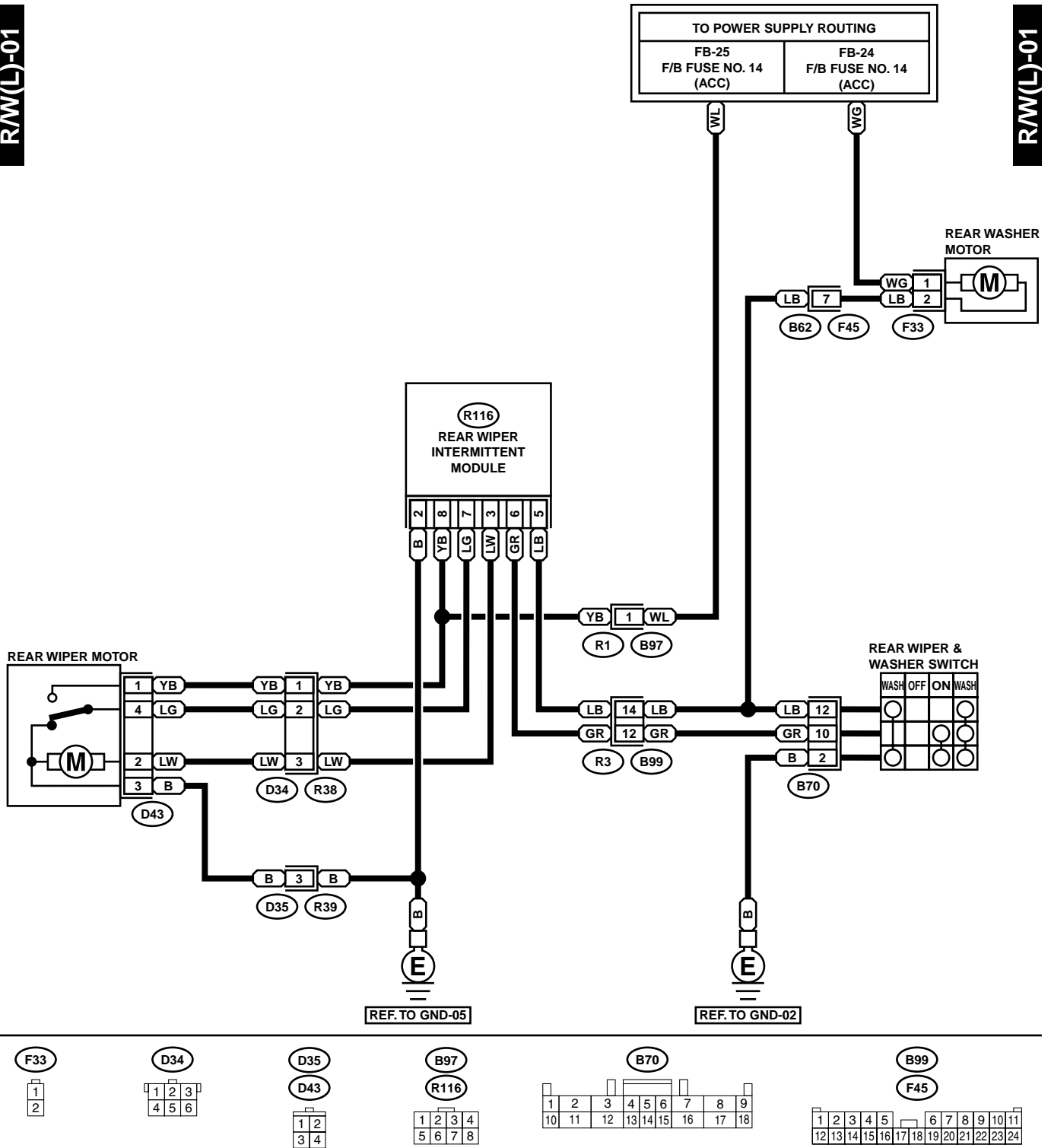
WIPER AND WASHER SYSTEM (REAR)

WIRING SYSTEM

1. LHD MODEL

R/W(L)-01

R/W(L)-01



WIPER AND WASHER SYSTEM (REAR)

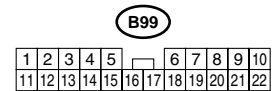
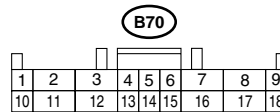
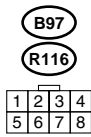
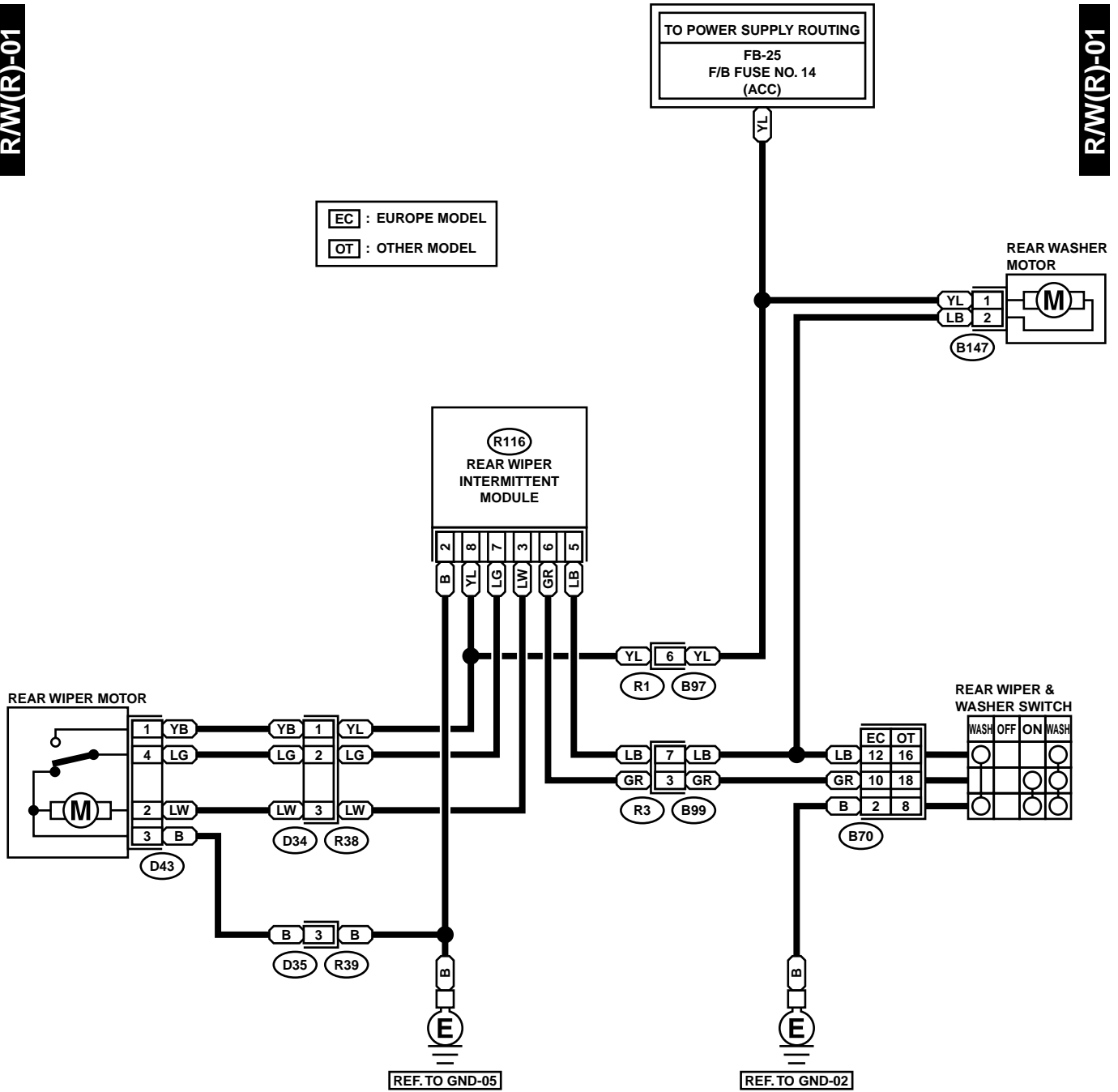
WIRING SYSTEM

2. RHD MODEL

R/W(R)-01

R/W(R)-01

EC : EUROPE MODEL
OT : OTHER MODEL

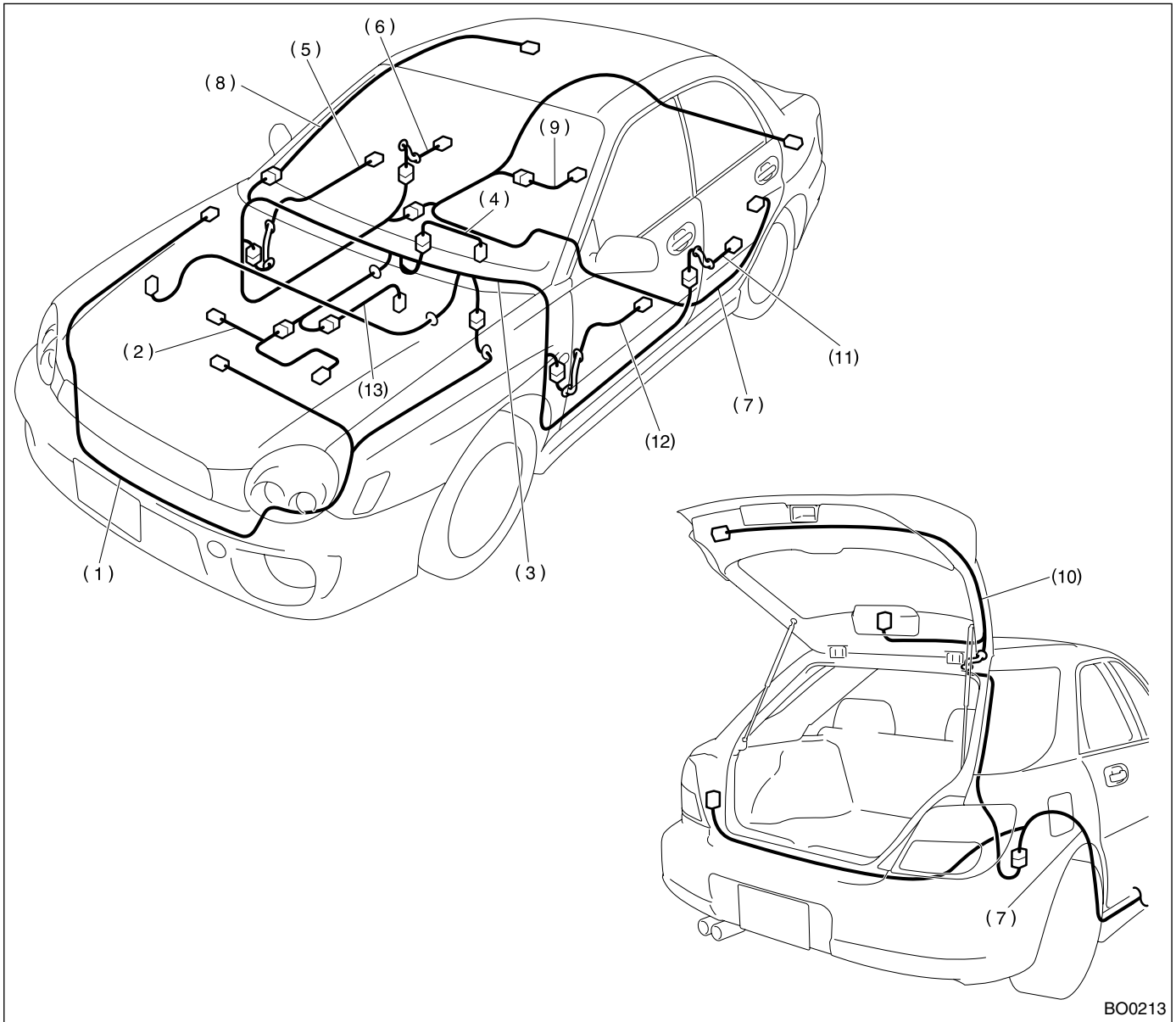


GR51-20

44. Overall Systems

A: LOCATION

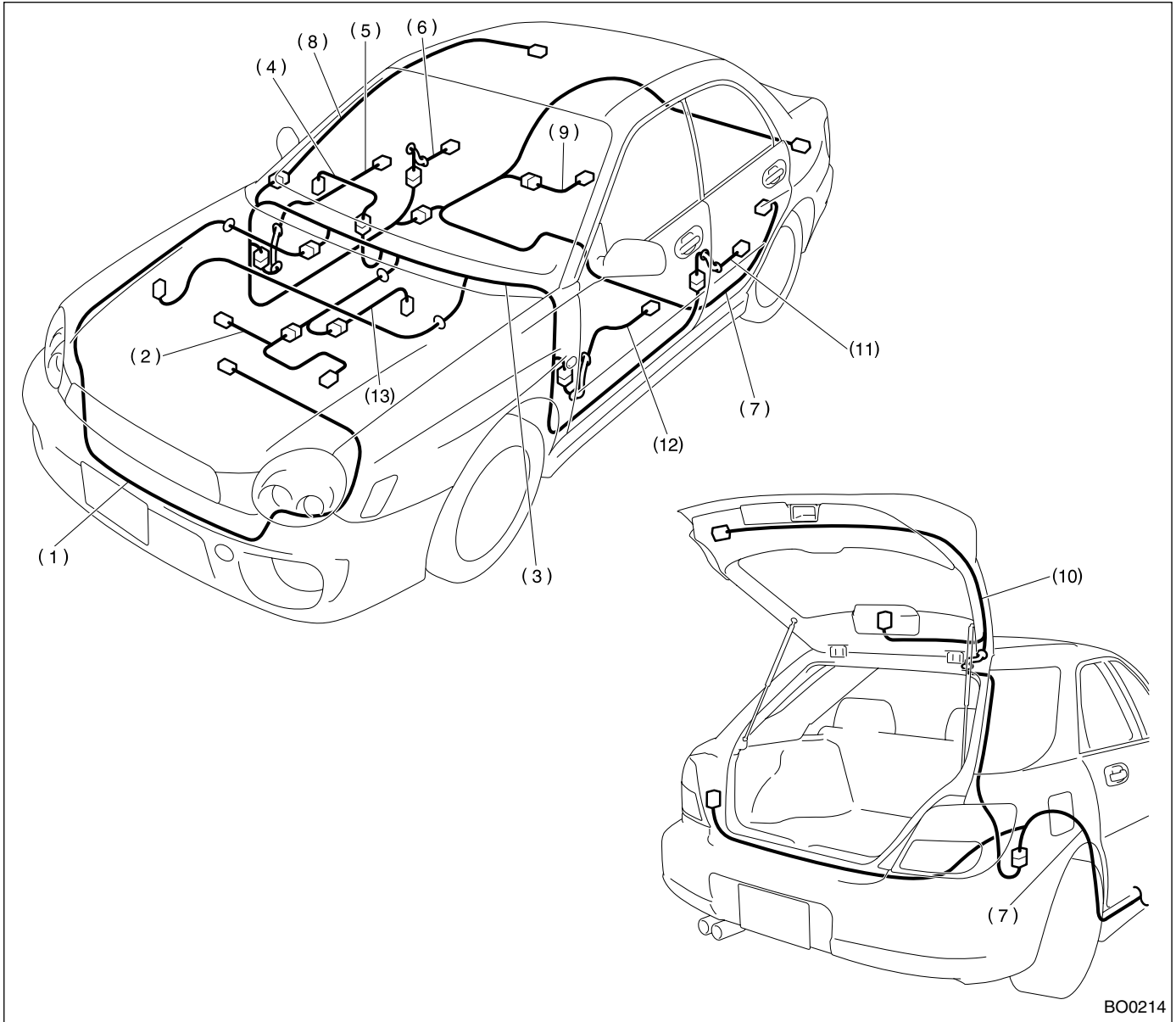
1. LHD MODEL



BO0213

- | | | |
|-------------------------------------|-------------------------|-------------------------|
| (1) Front wiring harness | (6) Rear door cord RH | (11) Rear door cord LH |
| (2) Engine wiring harness | (7) Rear wiring harness | (12) Front door cord LH |
| (3) Bulkhead wiring harness | (8) Roof cord | (13) Transmission cord |
| (4) Instrument panel wiring harness | (9) Fuel tank cord | |
| (5) Front door cord RH | (10) Trunk lid cord | |

2. RHD MODEL



BO0214

- | | | |
|-------------------------------------|-------------------------|-------------------------|
| (1) Front wiring harness | (6) Rear door cord RH | (11) Rear door cord LH |
| (2) Engine wiring harness | (7) Rear wiring harness | (12) Front door cord LH |
| (3) Bulkhead wiring harness | (8) Roof cord | (13) Transmission cord |
| (4) Instrument panel wiring harness | (9) Fuel tank cord | |
| (5) Front door cord RH | (10) Trunk lid cord | |

FRONT WIRING HARNESS

WIRING SYSTEM

45. Front Wiring Harness

A: LOCATION

1. LHD MODEL

| Connector | | | | Connecting to | |
|-----------|------|-------|------|---------------|---|
| No. | Pole | Color | Area | No. | Name |
| F4 | 3 | Gray | B-1 | | Front clearance light RH and front turn signal light RH |
| F5 | 1 | Black | C-2 | | Horn |
| F6 | 2 | Black | C-1 | | Front fog light RH |
| F7 | 3 | ★ | B-1 | | Headlight RH |
| F16 | 2 | Black | D-1 | | Sub fan motor (Non-turbo model) |
| | 3 | Black | D-1 | | Sub fan motor (Turbo model) |
| F17 | 2 | Black | C-2 | | Radiator main fan motor (Non-turbo model) |
| | 3 | Black | C-2 | | Radiator main fan motor (Turbo model) |
| F21 | 2 | Black | D-3 | | Front fog light LH |
| F22 | 3 | Gray | B-3 | | Front clearance light LH and front turn signal light LH |
| F23 | 3 | ★ | C-2 | | Headlight LH |
| F24 | 3 | Gray | B-2 | | A/C compressor |
| F25 | 1 | ★ | B-2 | | Generator |
| F26 | 3 | Green | B-2 | | |
| F27 | 4 | Black | C-4 | | A/C fuse (Relay holder) |
| F28 | 4 | Black | C-4 | | A/C sub fan relay-1 (Relay holder-turbo model) |
| F29 | 4 | Black | C-4 | | A/C sub fan relay (Relay holder-non-turbo model) |
| | 4 | Black | C-4 | | A/C sub fan relay-2 (Relay holder-turbo model) |
| F30 | 4 | Black | C-4 | | Radiator main fan relay-2 (Relay holder-turbo model) |
| F31 | 4 | Black | C-4 | | A/C relay (Relay holder) |
| F32 | 2 | Green | B-4 | | Front washer motor |
| F33 | 2 | ★ | B-4 | | Rear washer motor |
| F34 | 4 | Black | B-4 | | SBF holder |
| F35 | 2 | Black | B-3 | | M/B |
| F36 | 3 | ★ | A-3 | | |
| F37 | 6 | Black | A-3 | | |
| F38 | 1 | ★ | A-3 | | |
| F39 | 8 | Black | B-3 | | F/B |
| F40 | 9 | Brown | B-3 | | |
| F41 | 7 | Gray | A-4 | | |
| F44 | 8 | ★ | A-3 | B61 | Bulkhead wiring harness |
| F45 | 24 | ★ | B-3 | B62 | Bulkhead wiring harness |
| F46 | 2 | Black | B-3 | B108 | Bulkhead wiring harness |
| F47 | 1 | Black | C-2 | | Horn |
| F49 | 31 | Black | A-1 | | ABS control module |
| F51 | 2 | ★ | A-2 | | Side turn signal light RH |
| F54 | 2 | ★ | B-4 | | Side turn signal light LH |
| F58 | 3 | Black | C-4 | | Headlight beam leveler LH |
| F59 | 3 | Black | B-1 | | Headlight beam leveler RH |
| F60 | 16 | Brown | B-4 | E3 | Engine wiring harness (Turbo model) |
| F61 | 20 | Black | B-4 | E2 | Engine wiring harness (Turbo model) |
| F62 | 8 | ★ | B-2 | | Shield joint connector (ABS) |
| F66 | 4 | Black | C-4 | | Radiator main fan relay (Relay holder-non-turbo model) |
| | 4 | Black | C-4 | | Radiator main fan relay-1 (Relay holder-turbo model) |
| F67 | 2 | Black | C-4 | | FWD switch (AWD AT model) |

FRONT WIRING HARNESS

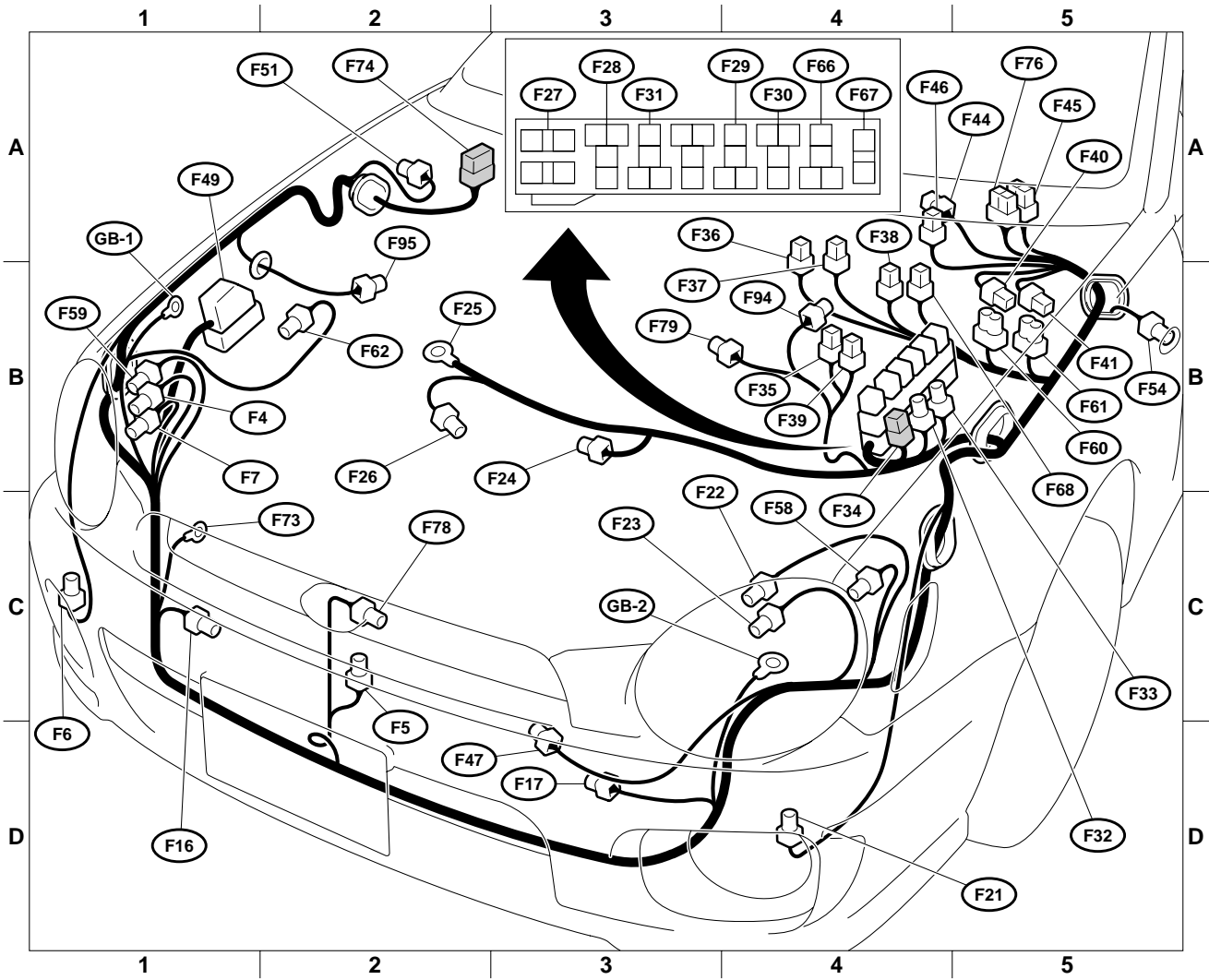
WIRING SYSTEM

| Connector | | | | Connecting to | |
|-----------|------|-------|------|---------------|-------------------------------|
| No. | Pole | Color | Area | No. | Name |
| F68 | 4 | Black | B-3 | | M/B |
| F73 | 1 | ★ | B-1 | | ABS motor ground |
| F74 | 20 | ★ | A-2 | B200 | Bulkhead wiring harness (ABS) |
| F76 | 40 | Gray | A-3 | B209 | Bulkhead wiring harness (SMJ) |
| F78 | 2 | Black | C-2 | | Ambient sensor |
| F79 | 2 | Gray | B-3 | | A/C pressure switch |
| F94 | 2 | Gray | A-3 | | ABS front sensor LH |
| F95 | 2 | Gray | A-2 | | ABS front sensor RH |

★: Non-colored

FRONT WIRING HARNESS

WIRING SYSTEM



BO0215

FRONT WIRING HARNESS

WIRING SYSTEM

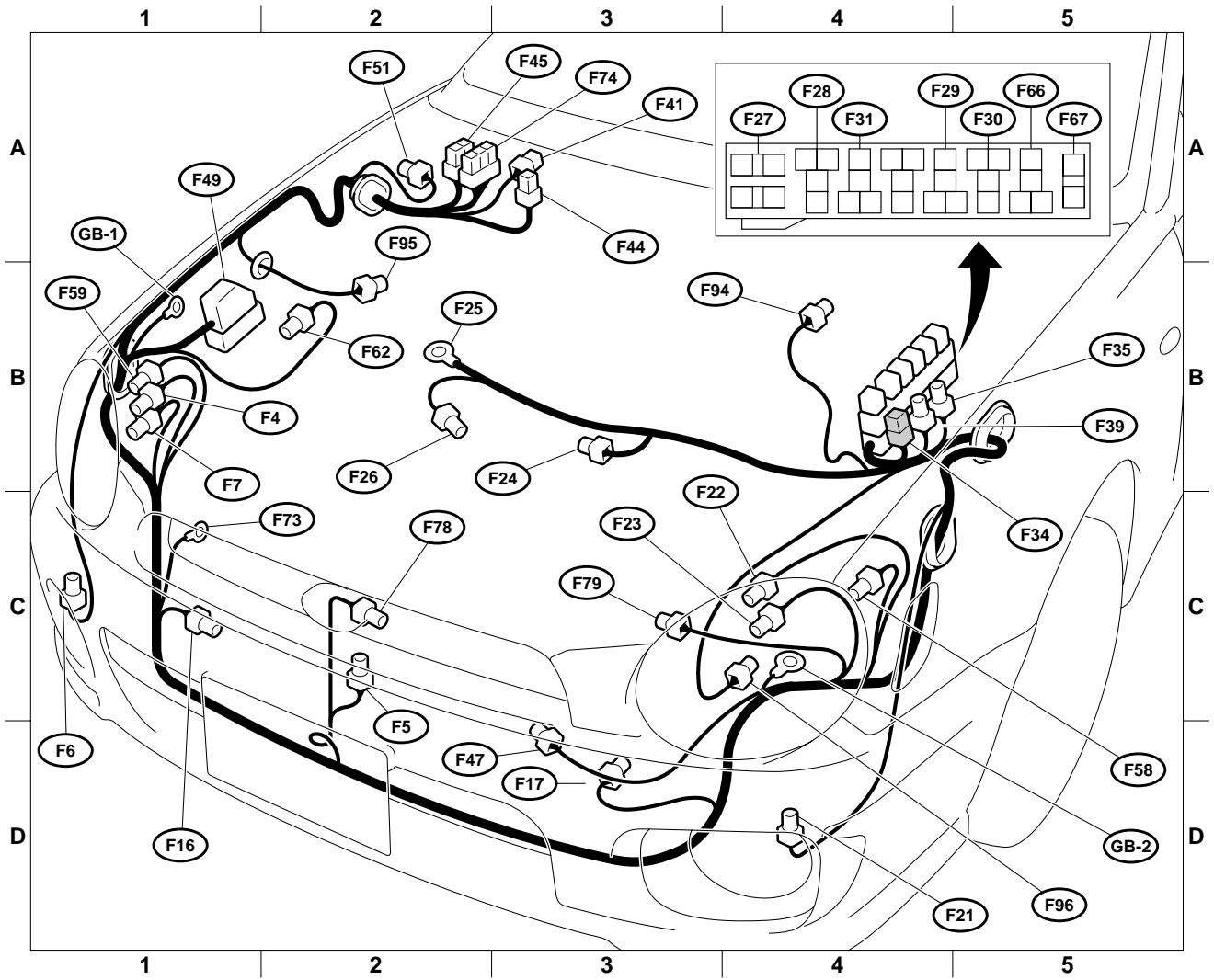
2. RHD MODEL

| Connector | | | | Connecting to | |
|-----------|------|-------|------|---------------|---|
| No. | Pole | Color | Area | No. | Name |
| F4 | 3 | Gray | B-1 | | Front clearance light RH and front turn signal light RH |
| F5 | 1 | Black | C-2 | | Horn |
| F6 | 2 | Black | C-1 | | Front fog light RH |
| F7 | 3 | ★ | B-1 | | Headlight RH |
| F16 | 2 | Black | D-1 | | Sub fan motor (Non-turbo model) |
| | 3 | Black | D-1 | | Sub fan motor (Turbo model) |
| F17 | 2 | Black | D-2 | | Radiator main fan motor (Non-turbo model) |
| | 3 | Black | D-2 | | Radiator main fan motor (Turbo model) |
| F21 | 2 | Black | D-4 | | Front fog light LH |
| F22 | 3 | Gray | C-3 | | Front clearance light LH and front turn signal light LH |
| F23 | 3 | ★ | C-3 | | Headlight LH |
| F24 | 3 | Gray | B-2 | | A/C compressor |
| F25 | 1 | ★ | B-2 | | Generator |
| F26 | 3 | Green | B-2 | | |
| F27 | 4 | Black | A-3 | | A/C fuse (Relay holder) |
| F28 | 4 | Black | A-3 | | A/C sub fan relay-1 (Relay holder-turbo model) |
| F29 | 4 | Black | A-4 | | A/C sub fan relay (Relay holder-non-turbo model) |
| | 4 | Black | A-4 | | A/C sub fan relay-2 (Relay holder-turbo model) |
| F30 | 4 | Black | A-4 | | Radiator main fan relay-2 (Relay holder-turbo model) |
| F31 | 4 | Black | A-3 | | A/C relay (Relay holder) |
| F34 | 4 | Black | B-4 | | SBF holder |
| F35 | 2 | Black | B-4 | | M/B |
| F39 | 8 | Black | B-4 | | |
| F41 | 7 | Gray | A-3 | | F/B |
| F44 | 8 | ★ | A-3 | B61 | Bulkhead wiring harness |
| F45 | 18 | Black | A-2 | B62 | Bulkhead wiring harness |
| F47 | 1 | ★ | C-2 | | Horn |
| F49 | 31 | Black | A-1 | | ABS control module |
| F51 | 2 | ★ | A-2 | | Side turn signal light RH |
| F58 | 3 | Black | C-4 | | Headlight beam leveler LH |
| F59 | 3 | Black | B-1 | | Headlight beam leveler RH |
| F62 | 8 | ★ | B-2 | | Shield joint connector (ABS) |
| F66 | 4 | Black | A-4 | | Radiator main fan relay (Relay holder-non-turbo model) |
| | 4 | Black | A-4 | | Radiator main fan relay-1 (Relay holder) |
| F67 | 2 | Black | A-4 | | FWD switch (AWD AT model) |
| F73 | 1 | ★ | B-2 | | ABS motor ground |
| F74 | 22 | ★ | A-3 | B200 | Bulkhead wiring harness (ABS) |
| F78 | 2 | Black | C-2 | | Ambient sensor |
| F79 | 2 | Gray | C-2 | | A/C pressure switch |
| F94 | 2 | Gray | A-3 | | ABS front sensor LH |
| F95 | 2 | Gray | A-2 | | ABS front sensor RH |
| F96 | 1 | White | D-4 | B255 | Bulkhead wiring harness |

★:Non-colored

FRONT WIRING HARNESS

WIRING SYSTEM



BO0216

BULKHEAD WIRING HARNESS (IN ENGINE ROOM)

WIRING SYSTEM

46. Bulkhead Wiring Harness (In Engine Room)

A: LOCATION

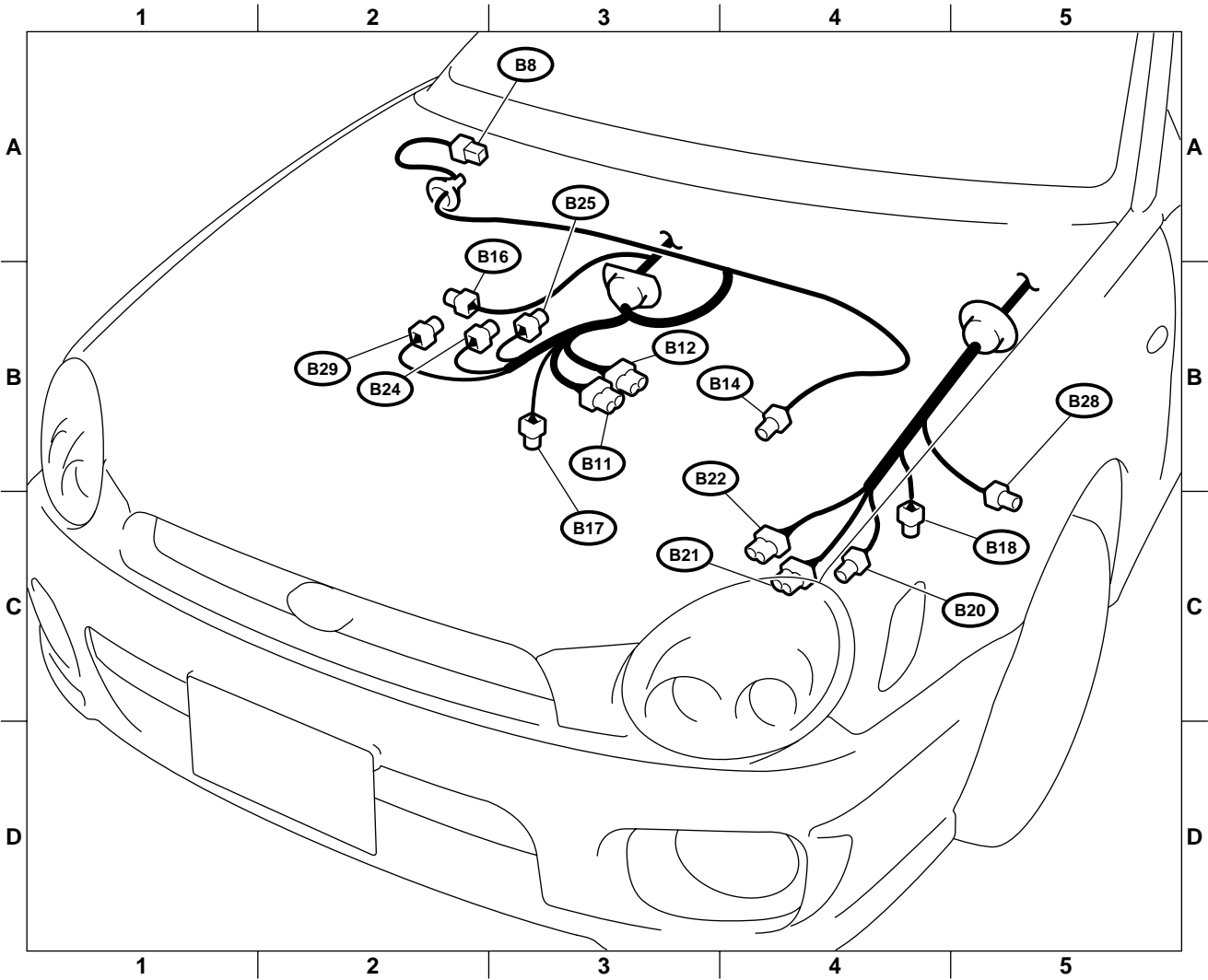
1. LHD NON-TURBO ENGINE MODEL

| Connector | | | | Connecting to | |
|-----------|------|------------|------|---------------|--|
| No. | Pole | Color | Area | No. | Name |
| B8 | 5 | Gray | A-2 | | Front wiper motor |
| B11 | 20 | Black | B-2 | T4 | Transmission (AT) |
| B12 | 12 | ★ | B-3 | T3 | |
| B14 | 1 | ★ | B-3 | | Starter (Magnet) |
| B16 | 2 | Gray | A-2 | | Brake fluid level switch |
| B17 | 3 | ★ | C-2 | | Vehicle speed sensor (MT) |
| B18 | 4 | ★ | C-4 | | Oxygen sensor (Catalytic converter equipped vehicle without OBD) |
| B20 | 10 | ★ | C-4 | E1 | Engine wiring harness |
| B21 | 20 | Light gray | C-3 | E2 | |
| B22 | 16 | Brown | C-3 | E3 | |
| B24 | 2 | Gray | B-2 | T1 | Back-up light switch (MT) |
| B25 | 2 | Brown | A-2 | T2 | Neutral position switch (MT) |
| B28 | 3 | ★ | C-4 | | CO resistor |
| B29 | 2 | ★ | B-2 | T8 | Lo (AWD) indicator light switch (MT) |

★:Non-colored

BULKHEAD WIRING HARNESS (IN ENGINE ROOM)

WIRING SYSTEM



BO0218

BULKHEAD WIRING HARNESS (IN ENGINE ROOM)

WIRING SYSTEM

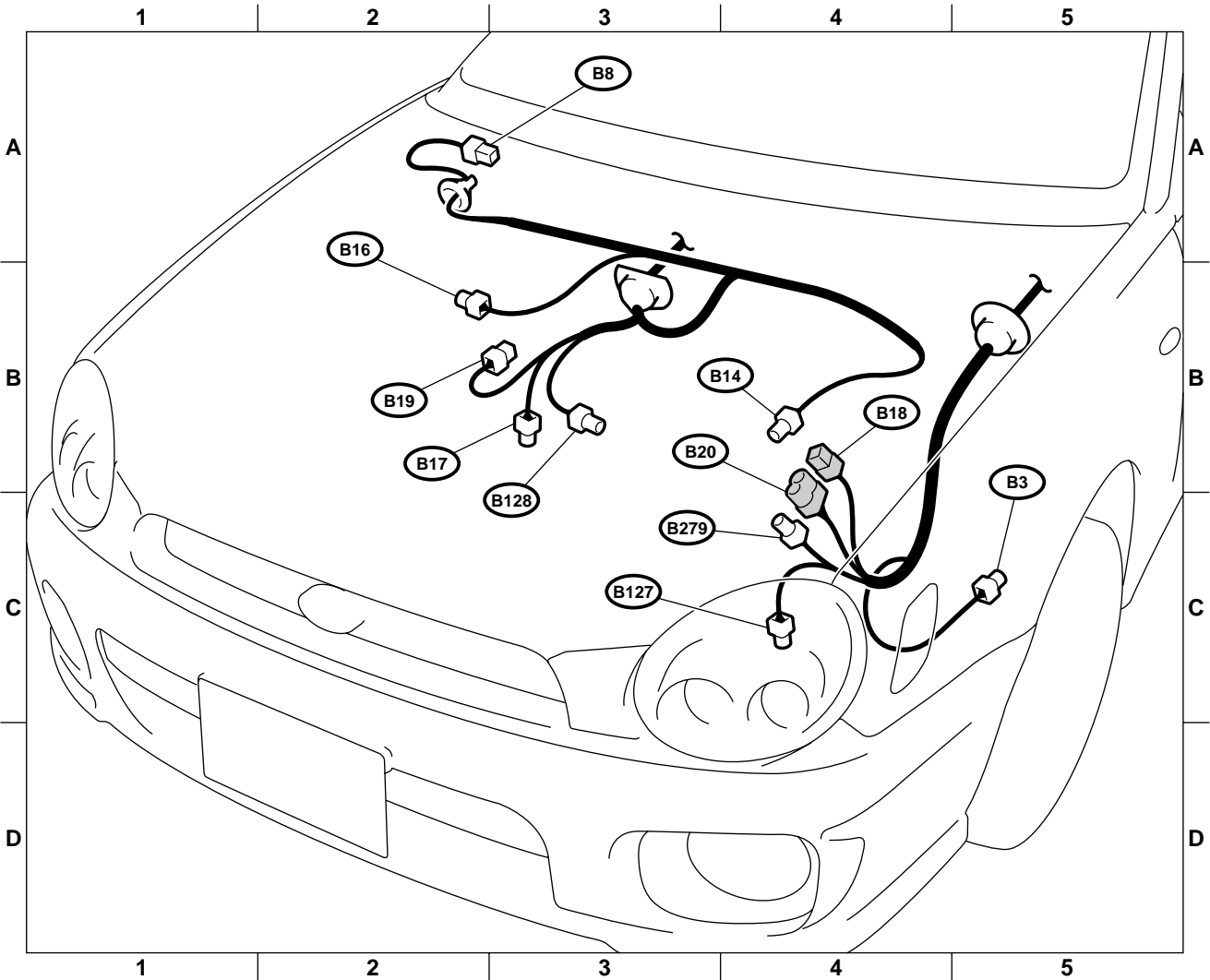
2. LHD TURBO ENGINE MODEL

| Connector | | | | Connecting to | |
|-----------|------|-------|------|---------------|-----------------------------------|
| No. | Pole | Color | Area | No. | Name |
| B3 | 5 | Gray | C-4 | | Mass air flow sensor |
| B8 | 5 | ★ | A-2 | | Front wiper motor |
| B14 | 1 | ★ | B-3 | | Starter (Magnet) |
| B16 | 2 | Gray | B-2 | | Brake fluid level switch |
| B17 | 4 | ★ | B-2 | | Vehicle speed sensor (MT) |
| B18 | 4 | ★ | C-4 | | Front oxygen (A/F) sensor |
| B19 | 4 | ★ | B-2 | | Rear oxygen sensor |
| B20 | 10 | ★ | C-4 | E1 | Engine wiring harness |
| B127 | 2 | ★ | D-4 | | Waist gate control solenoid valve |
| B128 | 4 | ★ | B-2 | T9 | Transmission (MT) |
| B279 | 2 | ★ | C-4 | | Exhaust temperature sensor |

★:Non-colored

BULKHEAD WIRING HARNESS (IN ENGINE ROOM)

WIRING SYSTEM



BO0217

BULKHEAD WIRING HARNESS (IN ENGINE ROOM)

WIRING SYSTEM

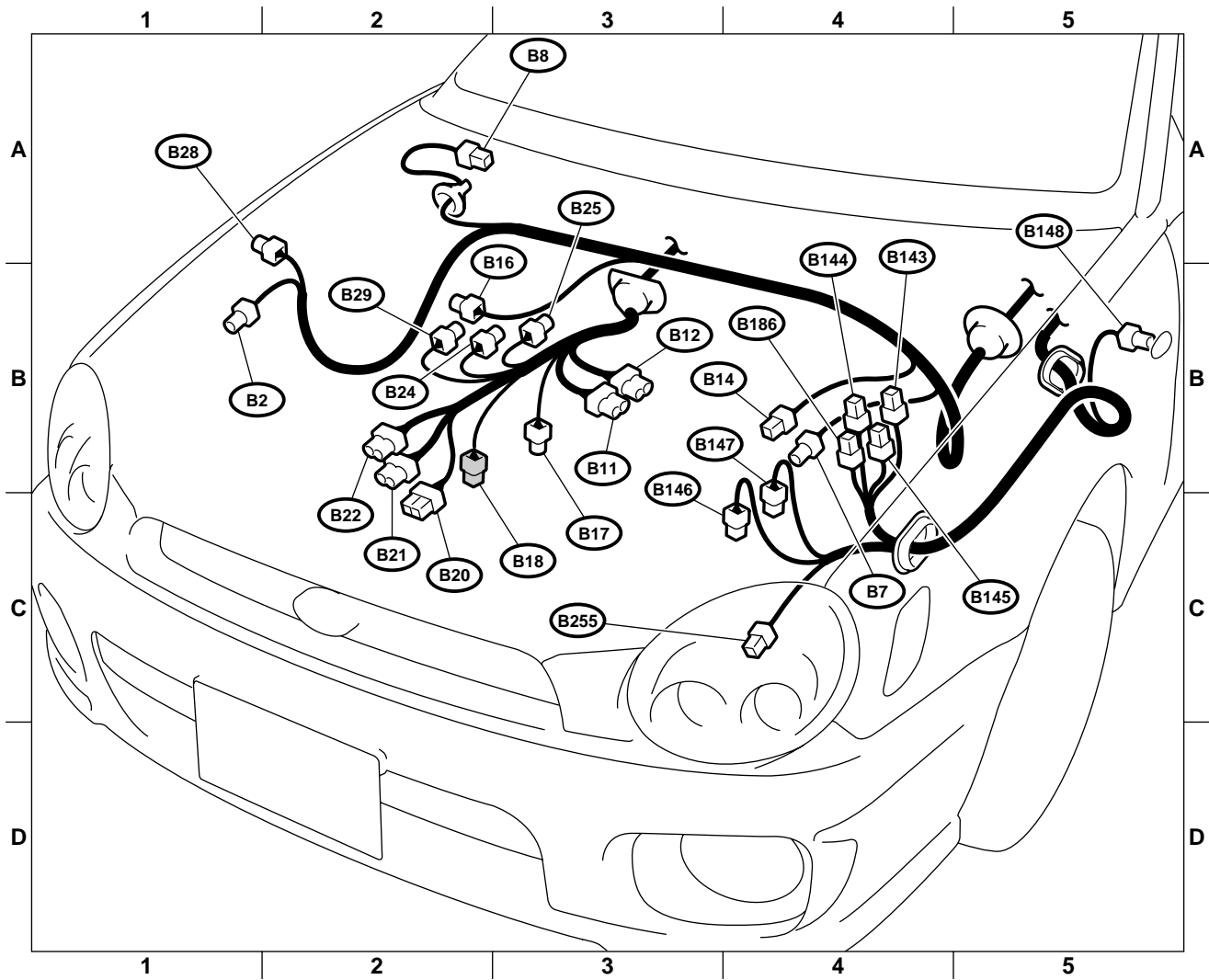
3. RHD NON-TURBO ENGINE MODEL

| Connector | | | | Connecting to | |
|-----------|------|------------|------|---------------|--|
| No. | Pole | Color | Area | No. | Name |
| B2 | 3 | ★ | B-1 | | Pressure sensor (With OBD) |
| B7 | 6 | Black | C-4 | | Cruise control actuator |
| B8 | 5 | Gray | A-2 | | Front wiper motor |
| B11 | 20 | Black | B-2 | T4 | Transmission (AT) |
| B12 | 12 | White | B-3 | T3 | |
| B14 | 1 | ★ | B-3 | | Starter (Magnet) |
| B16 | 2 | Gray | A-2 | | Brake fluid level switch |
| B17 | 3 | ★ | C-2 | | Vehicle speed sensor (MT) |
| B18 | 4 | ★ | C-4 | | Oxygen sensor (Catalytic converter equipped vehicle without OBD) |
| B20 | 10 | ★ | C-2 | E1 | Engine wiring harness |
| B21 | 20 | Light gray | C-2 | E2 | |
| B22 | 16 | Brown | C-2 | E3 | |
| B24 | 2 | Gray | B-2 | T1 | Back-up light switch (MT) |
| B25 | 2 | Brown | A-2 | T2 | Neutral position switch (MT) |
| B28 | 3 | ★ | A-1 | | CO resistor (Without catalytic converter) |
| B29 | 2 | ★ | B-2 | T8 | Lo (AWD) indicator light switch (MT) |
| B143 | 3 | ★ | B-3 | | M/B |
| B144 | 6 | Black | B-3 | | |
| B145 | 1 | ★ | C-4 | | |
| B146 | 2 | Green | B-3 | | Front washer motor |
| B147 | 2 | ★ | B-3 | | Rear washer motor |
| B148 | 2 | ★ | A-4 | | Side turn signal light LH |
| B186 | 4 | Black | B-3 | | M/B |
| B255 | 1 | White | C-2 | F96 | Front wiring harness (With ABS) |

★:Non-colored

BULKHEAD WIRING HARNESS (IN ENGINE ROOM)

WIRING SYSTEM



BO0220

BULKHEAD WIRING HARNESS (IN ENGINE ROOM)

WIRING SYSTEM

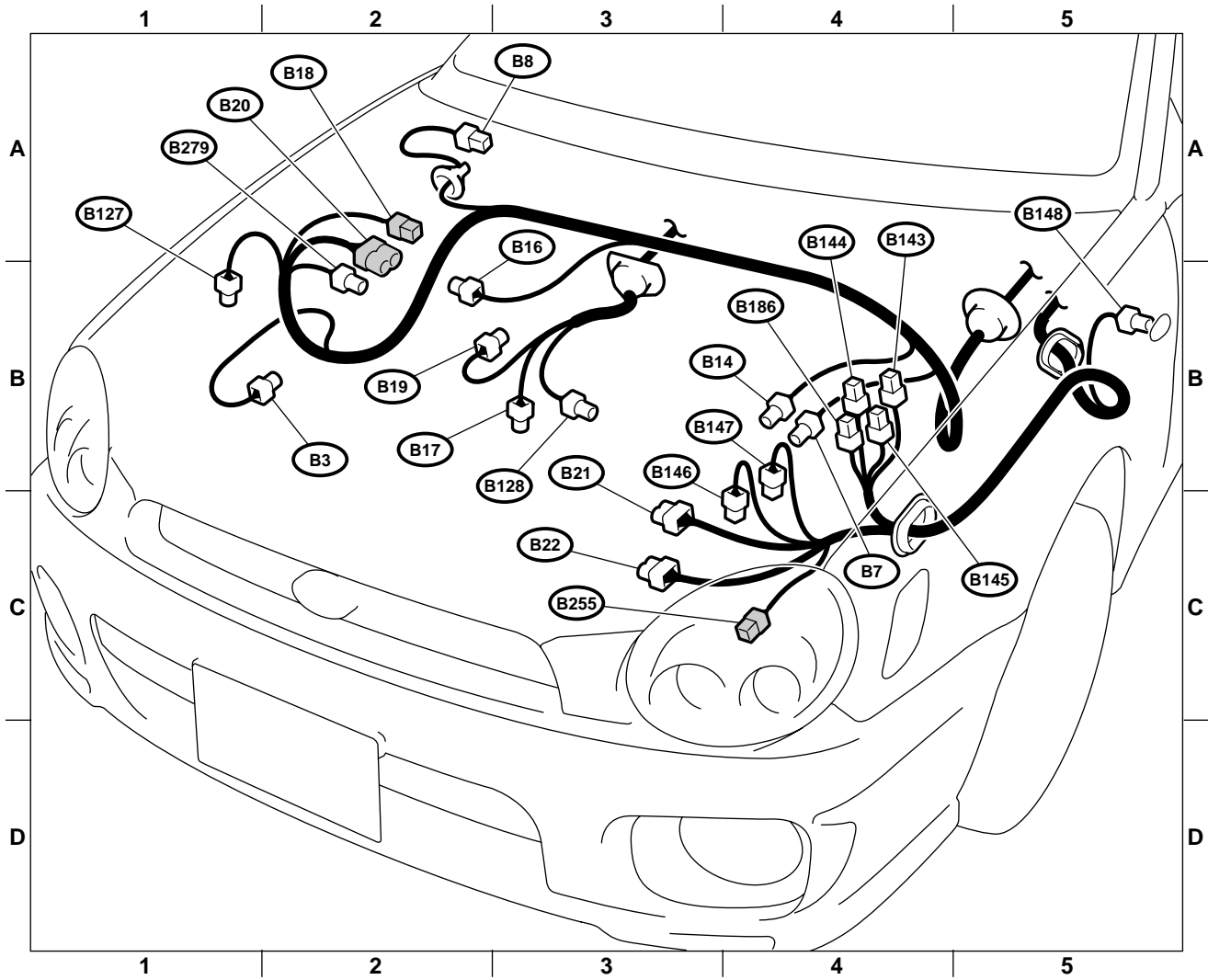
4. RHD TURBO ENGINE MODEL

| Connector | | | | Connecting to | |
|-----------|------|-------|------|---------------|-----------------------------------|
| No. | Pole | Color | Area | No. | Name |
| B3 | 5 | Gray | B-2 | | Mass air flow sensor |
| B7 | 6 | Black | C-4 | | Cruise control actuator |
| B8 | 5 | Gray | A-2 | | Front wiper motor |
| B14 | 1 | ★ | B-3 | | Starter (Magnet) |
| B16 | 2 | Gray | B-2 | | Brake fluid level switch |
| B17 | 4 | ★ | B-2 | | Vehicle speed sensor |
| B18 | 4 | ★ | A-1 | | Front oxygen (A/F) sensor |
| B19 | 4 | ★ | B-2 | | Oxygen sensor |
| B20 | 10 | ★ | A-1 | E-1 | Engine wiring harness |
| B21 | 20 | Black | B-2 | E2 | Engine wiring harness |
| B22 | 16 | Brown | C-2 | E3 | |
| B127 | 2 | ★ | A-1 | | Waste gate control solenoid valve |
| B128 | 4 | ★ | C-2 | T9 | Transmission (MT) |
| B143 | 3 | ★ | A-3 | | M/B |
| B144 | 6 | Black | A-3 | | |
| B145 | 1 | ★ | C-4 | | |
| B146 | 2 | Green | B-3 | | Front washer motor |
| B147 | 2 | ★ | B-3 | | Rear washer motor |
| B148 | 2 | ★ | A-4 | | Side turn signal light LH |
| B186 | 4 | Black | B-3 | | M/B |
| B255 | 1 | White | C-2 | F96 | Front wiring harness (With ABS) |
| B279 | 2 | ★ | A-1 | | Exhaust temperature sensor |

★:Non-colored

BULKHEAD WIRING HARNESS (IN ENGINE ROOM)

WIRING SYSTEM



BO0219

BULKHEAD WIRING HARNESS (IN COMPARTMENT)

WIRING SYSTEM

47. Bulkhead Wiring Harness (In Compartment)

A: LOCATION

1. LHD MODEL

| Connector | | | | Connecting to | |
|-----------|------|--------|------|---------------|--|
| No. | Pole | Color | Area | No. | Name |
| B30 | 25 | ★ | D-1 | D1 | Front door cord LH |
| B31 | 6 | Yellow | D-1 | AB1 | SRS (Airbag) harness |
| B32 | 3 | Black | B-2 | | Turn & hazard module |
| B36 | 24 | Black | B-1 | i1 | Instrument panel wiring harness |
| B37 | 24 | ★ | B-3 | i2 | |
| B40 | 16 | Gray | C-2 | | Data link connector |
| B41 | 2 | ★ | C-1 | | Power window |
| B42 | 5 | ★ | C-1 | | Power window |
| B43 | 6 | Black | C-3 | | Illumination control module |
| B44 | 10 | ★ | | | Seat belt warning module |
| B46 | 4 | Green | C-1 | | Fuel pump relay |
| B47 | 6 | Brown | C-4 | | Main relay |
| B48 | 5 | ★ | C-1 | | Front fog light |
| B50 | 4 | ★ | C-1 | | Blower motor relay |
| B51 | 8 | Blue | C-1 | | F/B |
| B52 | 7 | ★ | B-1 | | |
| B53 | 12 | Black | B-2 | | Shield joint connector (AT) |
| B54 | 24 | ★ | A-2 | | Transmission control module |
| B55 | 24 | Gray | A-2 | | |
| B56 | 24 | Green | A-2 | | |
| B61 | 8 | ★ | B-1 | F44 | Front wiring harness |
| B62 | 24 | ★ | B-2 | F45 | |
| B64 | 2 | Black | B-2 | | Stop light switch |
| B68 | 5 | Black | C-3 | | Steering roll connector |
| B69 | 4 | ★ | D-2 | | Combination switch |
| B70 | 18 | ★ | C-2 | | |
| B71 | 17 | ★ | C-2 | | |
| B72 | 4 | Blue | C-2 | | Ignition switch |
| B74 | 2 | Black | C-2 | | Key warning switch |
| B75 | 2 | Green | C-2 | B76 | Test mode connector |
| B76 | 2 | Green | C-2 | B75 | |
| B77 | 3 | ★ | B-3 | | Mode actuator |
| B79 | 14 | Gray | C-2 | | Check connector |
| B81 | 1×2 | ★ | C-2 | | Diagnosis terminal (Ground) |
| B82 | 6 | Black | C-2 | | Diagnosis connector |
| B83 | 6 | ★ | C-4 | | Shield&sensor ground joint connector (E/G) With OBD |
| | 8 | ★ | C-4 | | Shield&sensor ground joint connector (E/G) Without OBD |
| B84 | 17 | ★ | B-3 | | Engine control module |

| Connector | | | | Connecting to | |
|-----------|------|-------|------|---------------|----------------------------------|
| No. | Pole | Color | Area | No. | Name |
| B85 | 2 | ★ | A-2 | | Diode (Rear fog light) |
| B86 | 4 | ★ | B-3 | | Blower motor resistor |
| B87 | 2 | ★ | B-4 | | Blower motor |
| B88 | 4 | ★ | B-3 | | Evaporator thermostat |
| B90 | 4 | ★ | B-4 | R50 | Roof cord |
| B91 | 6 | Black | C-4 | | FRESH/RECIRC actuator |
| B92 | 8 | ★ | C-2 | | Door lock timer |
| B101 | 25 | ★ | B-4 | D11 | Front door cord RH |
| B108 | 2 | ★ | B-1 | F46 | Front wiring harness |
| B116 | 6 | ★ | D-3 | | Select lever illumination |
| B119 | 4 | ★ | C-3 | | Cigarette lighter (Power) |
| B120 | 14 | ★ | B-3 | | Radio |
| B121 | | ★ | B-3 | | Audio ground |
| B125 | 1 | Black | C-2 | B126 | Read memory connector |
| B126 | 1 | Black | C-2 | B125 | |
| B129 | 2 | ★ | B-1 | | Kick down switch (AT) |
| B131 | 4 | ★ | C-1 | | Rear fog light relay |
| B132 | 4 | ★ | C-2 | | Head light beam leveler switch |
| B133 | 6 | ★ | D-4 | | AT power mode & hold mode switch |
| B134 | 35 | ★ | C-4 | | Engine control module |
| B135 | 28 | ★ | C-4 | | |
| B136 | 30 | ★ | C-4 | | |
| B137 | 31 | ★ | B-3 | | |
| B141 | 12 | ★ | B-2 | | Immobilizer control module |
| B152 | 12 | ★ | C-1 | | F/B |
| B157 | 5 | ★ | C-1 | | Ignition relay (Relay block) |
| B158 | 10 | Gray | D-1 | | F/B |
| B160 | 6 | Gray | C-1 | | Front fog light switch |
| B168 | 16 | ★ | C-3 | | Mode control panel (Manual A/C) |
| B169 | 6 | ★ | C-3 | | Fan switch (Manual A/C) |
| B171 | 5 | ★ | C-1 | | Mirror heated relay |
| B176 | 18 | ★ | C-4 | | Keyless entry control module |
| B183 | 1 | ★ | D-1 | B184 | Joint connector (Keyless entry) |
| B184 | 1 | ★ | D-1 | B183 | |
| B195 | 6 | ★ | C-1 | | Rear fog light switch |
| B196 | 3 | ★ | B-4 | | Diode (Rear fog light) |

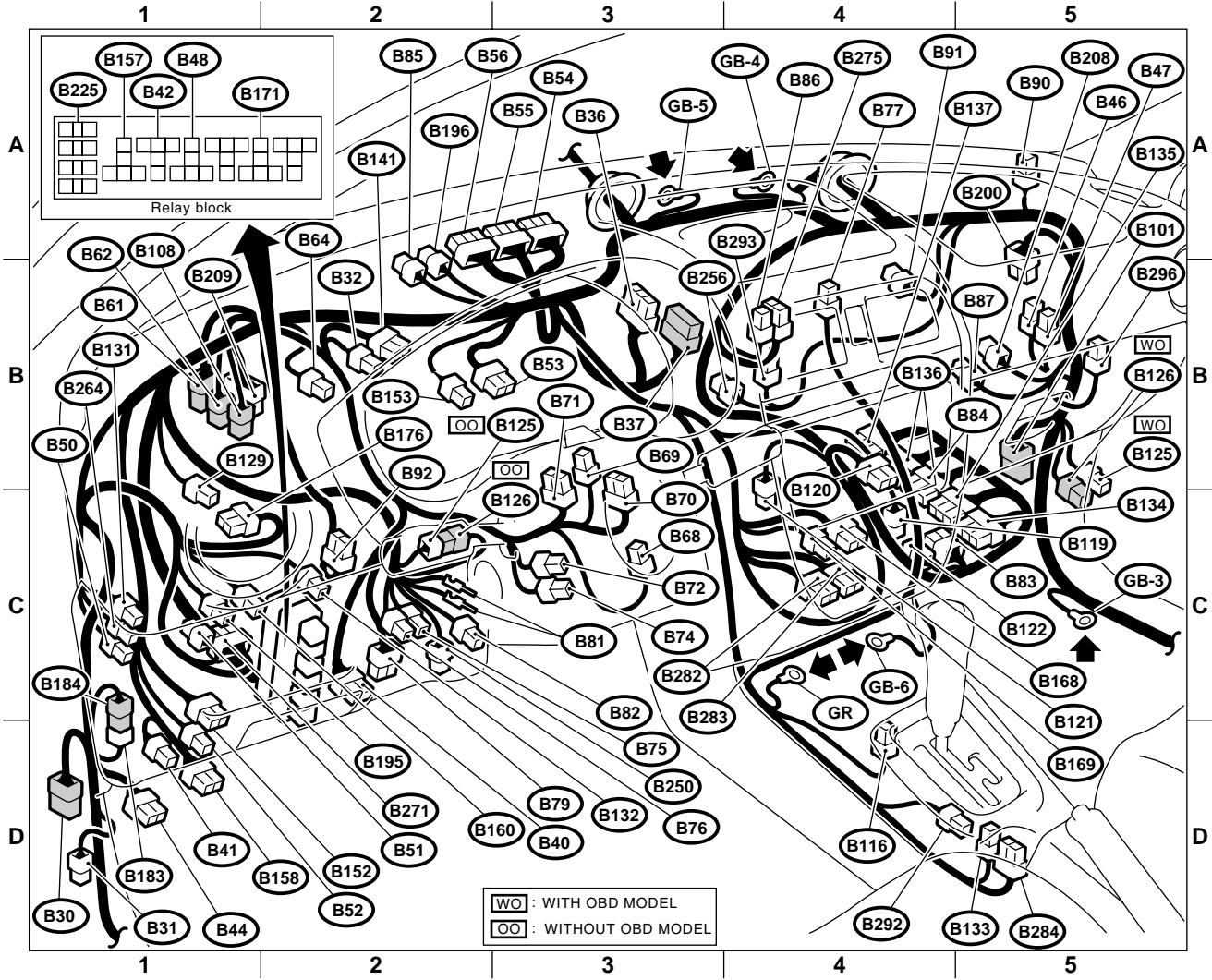
BULKHEAD WIRING HARNESS (IN COMPARTMENT)

WIRING SYSTEM

| Connector | | | | Connecting to | |
|---------------|------|-------|------|---------------|--|
| No. | Pole | Color | Area | No. | Name |
| B200 | 20 | ★ | B-4 | F74 | Front wiring harness |
| B208 | 2 | ★ | A-4 | | Glove box light |
| B209 | 40 | ★ | B-1 | F76 | Front wiring harness |
| B225 | 8 | ★ | C-1 | | Fuse (Relay box) |
| B250 | 3 | ★ | C-2 | | Flash memory connector |
| B256 | 2 | ★ | B-3 | | Evaporator sensor |
| B259 | 2 | ★ | B-2 | B260 | Shield joint connector (E/G)Non-turbo model |
| B260 | 2 | ★ | B-2 | B259 | |
| B264 | 4 | Red | C-1 | | ABS relay |
| B271 | 12 | Blue | C-1 | | F/B |
| B275 | 4 | ★ | B-3 | | Fan control amp |
| B282 | 16 | Gray | C-3 | | Auto A/C control module |
| B283 | 20 | Gray | C-3 | | |
| B284 | 10 | ★ | D-4 | | Remote control rear-view mirror switch |
| B292 | 3 | ★ | D-3 | | ABS sensor |
| B293 | 3 | ★ | B-3 | | Air mix actuator (Auto A/C) |
| B296 | 4 | ★ | B-4 | | Rear defogger timer |
| ★:Non-colored | | | | | |

BULKHEAD WIRING HARNESS (IN COMPARTMENT)

WIRING SYSTEM



BO0221

BULKHEAD WIRING HARNESS (IN COMPARTMENT)

WIRING SYSTEM

2. RHD MODEL

| Connector | | | | Connecting to | |
|-----------|------|--------|------|---------------|--|
| No. | Pole | Color | Area | No. | Name |
| B30 | 25 | ★ | D-4 | D1 | Front door cord RH |
| B31 | 6 | Yellow | D-4 | AB1 | SRS (Airbag) harness |
| B32 | 3 | Black | B-3 | | Turn & hazard module |
| B36 | 14 | Black | B-2 | i1 | Instrument panel wiring harness |
| B37 | 32 | ★ | B-2 | i2 | |
| B38 | 22 | Black | B-2 | i3 | |
| B40 | 16 | Gray | C-3 | | Data link connector |
| B41 | 2 | ★ | C-4 | | Power window circuit |
| B42 | 5 | Black | C-4 | | Power window relay (Relay block) |
| B43 | 6 | Black | C-4 | | Illumination control module |
| B46 | 4 | Green | C-1 | | Fuel pump relay |
| B47 | 6 | ★ | C-4 | | Main relay |
| B48 | 5 | ★ | C-3 | | Front fog light relay (Relay block) |
| B50 | 4 | ★ | C-4 | | Blower motor relay |
| B51 | 8 | Blue | C-4 | | F/B |
| B52 | 7 | ★ | C-4 | | |
| B53 | 12 | Black | B-3 | | Shield joint connector (AT) |
| B54 | 24 | ★ | A-3 | | Transmission control module |
| B55 | 24 | Gray | A-3 | | |
| B56 | 24 | Green | A-3 | | |
| B61 | 8 | ★ | B-4 | F44 | Front wiring harness |
| B62 | 18 | Black | B-4 | F45 | |
| B64 | 2 | Black | B-3 | | Stop light switch |
| B65 | 4 | Black | B-3 | | Stop&brake switch (with cruise control) |
| B68 | 5 | Black | C-2 | | Cruise control sub switch |
| B69 | 4 | ★ | B-3 | | Combination switch |
| B70 | 18 | ★ | C-3 | | |
| B71 | 17 | ★ | C-3 | | |
| B72 | 4 | Blue | C-3 | | Ignition switch |
| B74 | 2 | Black | C-3 | | Key warning switch |
| B75 | 2 | Green | C-3 | B76 | Test mode connector |
| B76 | 2 | Green | C-3 | B75 | |
| B77 | 3 | ★ | B-2 | | Mode actuator |
| B79 | 14 | Gray | C-3 | | Check connector |
| B81 | 1×2 | ★ | C-3 | | Diagnosis terminal (Ground) |
| B82 | 6 | Black | C-3 | | Diagnosis connector |
| B83 | 6 | ★ | C-2 | | Shield&sensor ground joint connector (E/G) non-turbo model |
| | 12 | ★ | C-2 | | Shield&sensor ground joint connector (E/G) Turbo model |
| B85 | 2 | ★ | B-3 | | Diode (Rear fog light) |
| B86 | 4 | ★ | B-4 | | Blower motor resistor |

| Connector | | | | Connecting to | |
|-----------|------|-------|------|---------------|--------------------------------------|
| No. | Pole | Color | Area | No. | Name |
| B87 | 2 | ★ | B-1 | | Blower motor |
| B88 | 4 | Brown | B-3 | | Evaporator thermostat |
| B90 | 6 | ★ | B-4 | R50 | Roof cord |
| B91 | 6 | Black | B-2 | | FRESH/RECIRC actuator |
| B92 | 8 | ★ | C-3 | | Door lock timer |
| B101 | 25 | ★ | B-1 | D11 | Front door cord LH |
| B107 | 2 | ★ | A-3 | | Clutch switch (cruise control) |
| B116 | 6 | ★ | D-2 | | Select lever illumination light (AT) |
| B119 | 4 | ★ | C-2 | | Cigarette lighter (Power) |
| B120 | 14 | ★ | B-2 | | Radio |
| B121 | 1 | ★ | B-2 | | Audio ground |
| B125 | 1 | Black | C-3 | B126 | Read memory connector |
| B126 | 1 | Black | C-3 | B125 | |
| B129 | 2 | ★ | C-4 | | Kick down switch (AT) |
| B131 | 4 | Blue | C-4 | | Rear fog light relay |
| B132 | 4 | ★ | C-4 | | Head light beam leveler switch |
| B133 | 6 | ★ | D-1 | | AT power mode & hold mode switch |
| B134 | 22 | ★ | C-3 | | Engine control module |
| B135 | 28 | ★ | C-3 | | |
| B136 | 24 | ★ | C-3 | | |
| B137 | 31 | ★ | C-4 | | |
| B141 | 14 | ★ | B-3 | | Immobilizer control module |
| B152 | 12 | ★ | C-4 | | F/B |
| B157 | 4 | ★ | C-4 | | Ignition relay (Relay block) |
| B158 | 10 | Gray | D-1 | | F/B |
| B159 | 9 | Brown | C-4 | | F/B |
| B160 | 6 | Brown | C-4 | | Front fog light switch |
| B161 | 6 | Brown | C-4 | | Cruise sub switch |
| B168 | 10 | ★ | C-2 | | Mode control panel (Manual A/C) |
| B169 | 6 | ★ | C-2 | | Fan switch (Manual A/C) |
| B171 | 5 | ★ | C-3 | | Mirror heated relay |
| B176 | 18 | ★ | C-4 | | Keyless entry control module |
| B183 | 1 | ★ | D-4 | B184 | Joint connector (Keyless entry) |
| B184 | 1 | ★ | C-4 | B183 | |
| B195 | 6 | ★ | C-4 | | Rear fog light switch |
| B196 | 3 | ★ | B-3 | | Diode (Rear fog light) |
| B198 | 1 | ★ | B-2 | B199 | Joint connection (Ground) |
| B199 | 1 | ★ | B-2 | B198 | |
| B200 | 22 | ★ | B-4 | F74 | Front wiring harness |

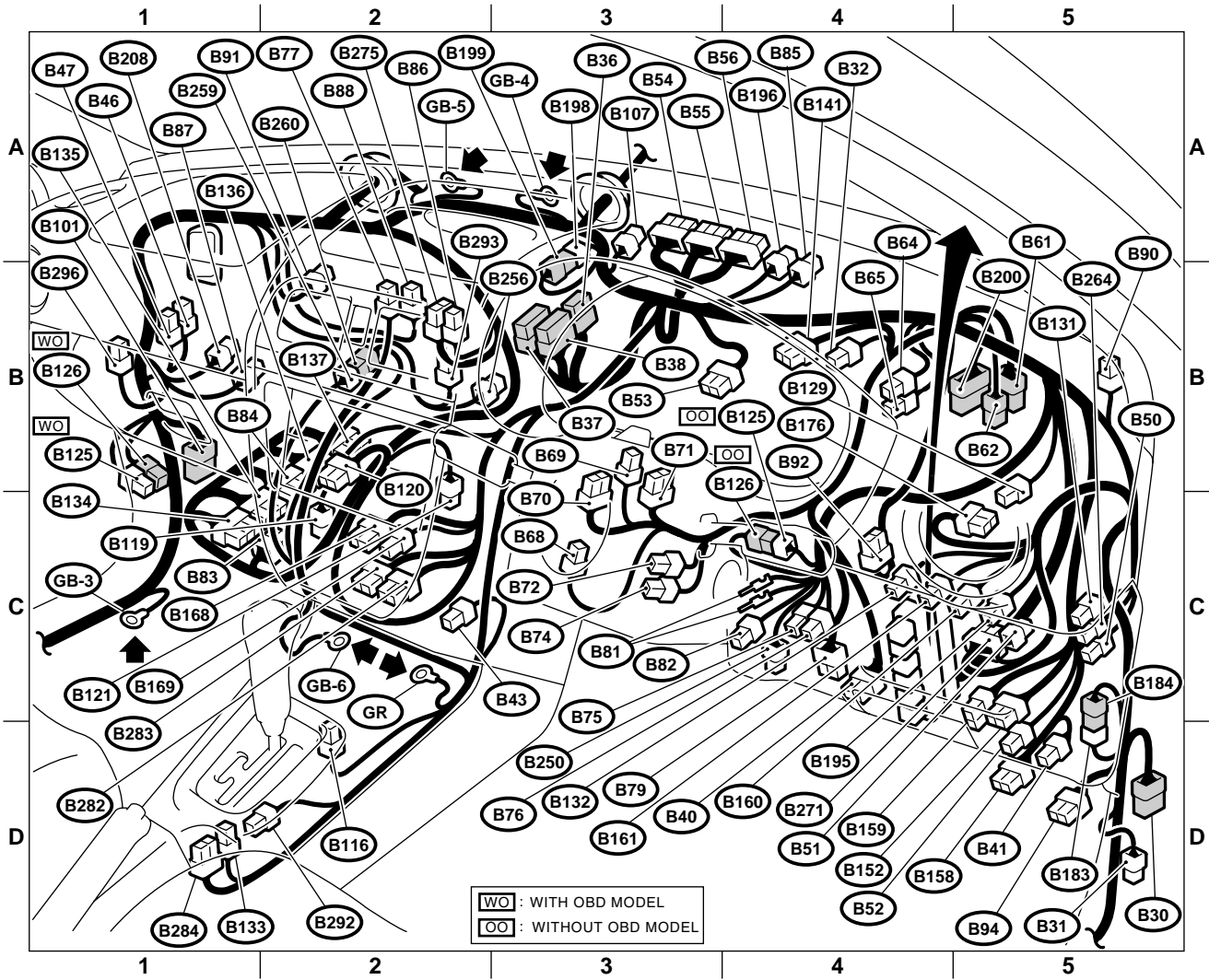
BULKHEAD WIRING HARNESS (IN COMPARTMENT)

WIRING SYSTEM

| Connector | | | | Connecting to | |
|---------------|------|-------|------|---------------|--|
| No. | Pole | Color | Area | No. | Name |
| B208 | 2 | ★ | B-1 | | Glove box light |
| B225 | 8 | Black | C-3 | | Fuse (Relay box) |
| B250 | 3 | ★ | C-3 | | Flash memory connector |
| B256 | 2 | ★ | B-2 | | Evaporator sensor |
| B259 | 2 | ★ | B-2 | B260 | Shield joint connector (E/G) NA model |
| B260 | 2 | ★ | B-2 | B259 | |
| B264 | 4 | Pink | C-4 | | ABS relay |
| B271 | 12 | Blue | C-4 | | F/B |
| B275 | 4 | ★ | B-2 | | Fan control amp |
| B282 | 16 | Gray | C-2 | | Auto A/C control module |
| B283 | 20 | Gray | C-2 | | |
| B284 | 10 | ★ | D-1 | | Remote control rear-view mirror switch |
| B292 | 3 | ★ | D-1 | | ABS sensor |
| B293 | 3 | ★ | B-2 | | Air mix actuator (Auto A/C) |
| B296 | 4 | ★ | B-1 | | Rear defogger timer |
| ★:Non-colored | | | | | |

BULKHEAD WIRING HARNESS (IN COMPARTMENT)

WIRING SYSTEM



BO0222

ENGINE WIRING HARNESS AND TRANSMISSION CORD

WIRING SYSTEM

48.Engine Wiring Harness and Transmission Cord

A: LOCATION

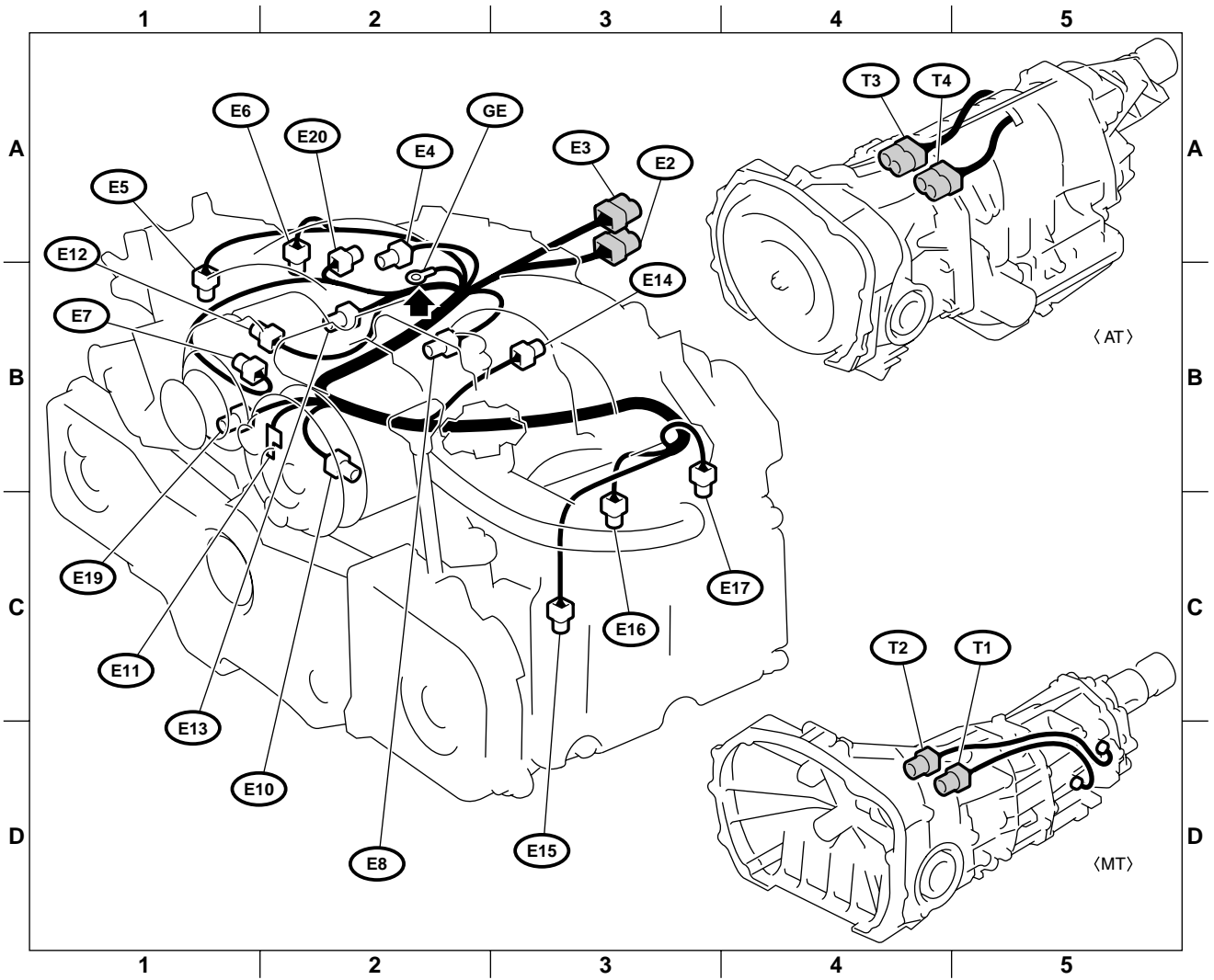
1. SOHC W/O OBD MODEL

| Connector | | | | Connecting to | |
|---------------|------|------------|------|---------------|---|
| No. | Pole | Color | Area | No. | Name |
| E2 | 20 | Light gray | | B21 | Bulkhead wiring harness |
| E3 | 16 | Brown | | B22 | Bulkhead wiring harness |
| E4 | 2 | Blue | | | Purge control solenoid valve |
| E5 | 2 | Light gray | | | Fuel injector No.1 |
| E6 | 2 | Light gray | | | Fuel injector No.3 |
| E7 | 6 | Black | | | Idle air control solenoid valve |
| E8 | 3 | Light gray | | | Engine coolant temperature sensor and thermometer |
| E10 | 2 | Light gray | | | Crank shaft position sensor |
| E11 | 1 | ★ | | | Oil pressure switch |
| E12 | 4 | Gray | | | Ignition coil and ignitor (1.6L model) |
| | | Dark gray | | | Ignition coil and ignitor (2.0L model) |
| E13 | 4 | Dark brown | | | Throttle position sensor |
| E14 | 2 | ★ | | | Knock sensor |
| E15 | 2 | Black | | | Camshaft position sensor |
| E16 | 2 | Light gray | | | Fuel injector No.2 |
| E17 | 2 | Light gray | | | Fuel injector No.4 |
| E19 | 1 | ★ | | | Power steering oil pressure switch |
| E20 | 4 | Black | | | Pressure sensor and intake air temperature sensor |
| ★:Non-colored | | | | | |

| Connector | | | | Connecting to | |
|---------------|------|-------|------|---------------|-------------------------|
| No. | Pole | Color | Area | No. | Name |
| T1 | 2 | Gray | | B31 | Bulkhead wiring harness |
| T2 | 2 | Brown | | B30 | Bulkhead wiring harness |
| T3 | 28 | ★ | | B1 | Bulkhead wiring harness |
| T4 | 36 | Black | | B2 | Bulkhead wiring harness |
| ★:Non-colored | | | | | |

ENGINE WIRING HARNESS AND TRANSMISSION CORD

WIRING SYSTEM



BO0224

ENGINE WIRING HARNESS AND TRANSMISSION CORD

WIRING SYSTEM

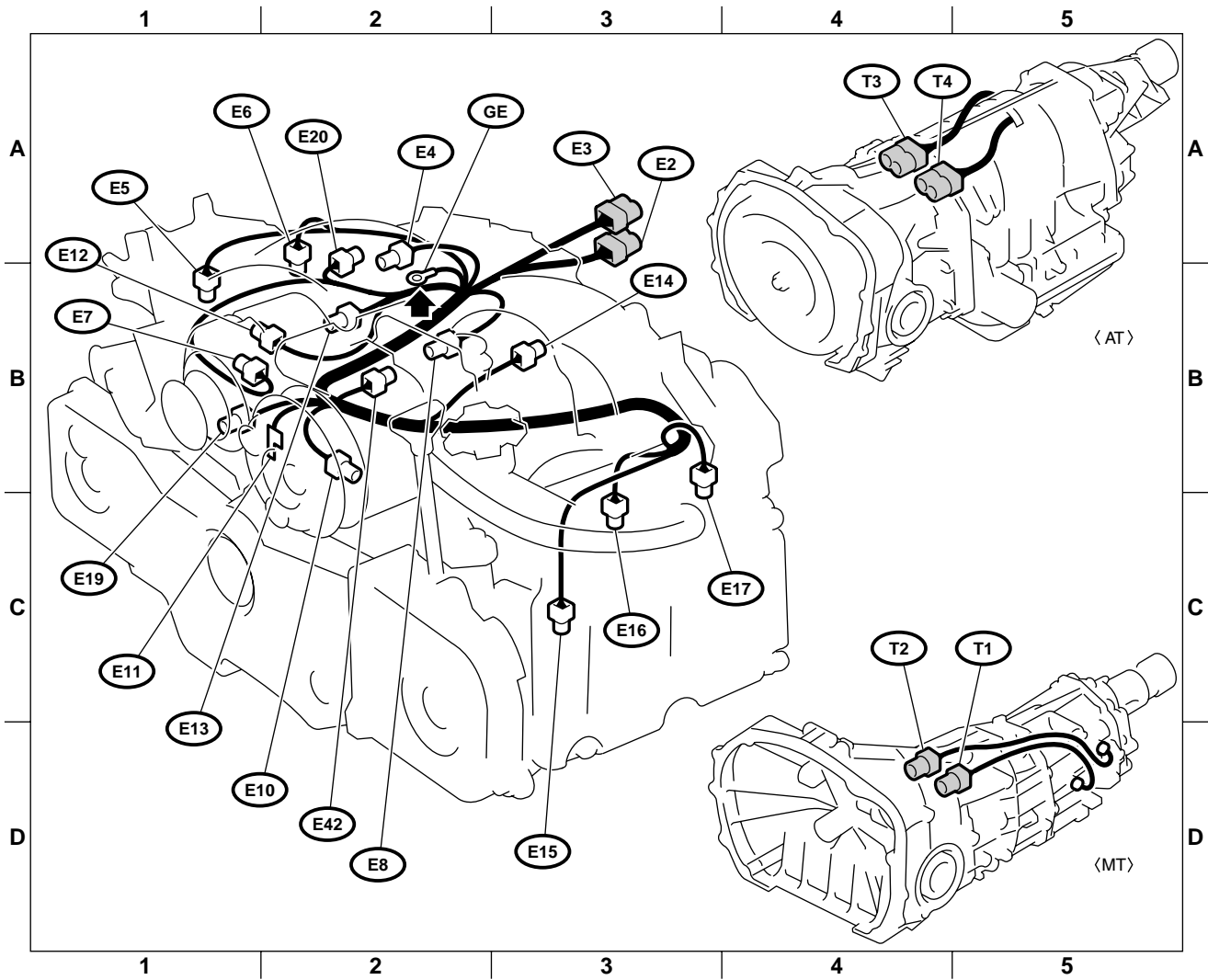
2. SOHC MODEL

| Connector | | | | Connecting to | |
|---------------|------|------------|------|---------------|---|
| No. | Pole | Color | Area | No. | Name |
| E2 | 20 | Light gray | | B21 | Bulkhead wiring harness |
| E3 | 16 | Brown | | B22 | Bulkhead wiring harness |
| E4 | 2 | Blue | | | Purge control solenoid valve |
| E5 | 2 | Light gray | | | Fuel injector No.1 |
| E6 | 2 | Light gray | | | Fuel injector No.3 |
| E7 | 6 | Black | | | Idle air control solenoid valve |
| E8 | 3 | Light gray | | | Engine coolant temperature sensor and thermometer |
| E10 | 2 | Light gray | | | Crank shaft position sensor |
| E11 | 1 | ★ | | | Oil pressure switch |
| E12 | 4 | Gray | | | Ignition coil and ignitor (1.6L model) |
| | | Dark gray | | | Ignition coil and ignitor (2.0L model) |
| E13 | 4 | Dark brown | | | Throttle position sensor |
| E14 | 2 | ★ | | | Knock sensor |
| E15 | 2 | Black | | | Camshaft position sensor |
| E16 | 2 | Light gray | | | Fuel injector No.2 |
| E17 | 2 | Light gray | | | Fuel injector No.4 |
| E19 | 1 | ★ | | | Power steering oil pressure switch |
| E20 | 4 | Black | | | Pressure sensor and intake air temperature sensor |
| E42 | 2 | Purple | | | Air assist injector solenoid valve |
| ★:Non-colored | | | | | |

| Connector | | | | Connecting to | |
|---------------|------|-------|------|---------------|-------------------------|
| No. | Pole | Color | Area | No. | Name |
| T1 | 2 | Gray | | B31 | Bulkhead wiring harness |
| T2 | 2 | Brown | | B30 | Bulkhead wiring harness |
| T3 | 28 | ★ | | B1 | Bulkhead wiring harness |
| T4 | 36 | Black | | B2 | Bulkhead wiring harness |
| ★:Non-colored | | | | | |

ENGINE WIRING HARNESS AND TRANSMISSION CORD

WIRING SYSTEM



BO0223

ENGINE WIRING HARNESS AND TRANSMISSION CORD

WIRING SYSTEM

3. DOHC TURBO MODEL

| Connector | | | | Connecting to | |
|-----------|------|------------|------|---------------|---|
| No. | Pole | Color | Area | No. | Name |
| E1 | 10 | Light gray | | B20 | Bulkhead wiring harness |
| E2 | 20 | Black | | F61 | Front wiring harness |
| E3 | 16 | Brown | | F60 | Front wiring harness |
| E4 | 2 | Black | | | Purge control solenoid valve |
| E5 | 2 | Dark gray | | | Fuel injector No.1 |
| E6 | 2 | Dark gray | | | Fuel injector No.3 |
| E7 | 3 | Black | | | Idle air control solenoid valve |
| E8 | 3 | Light gray | | | Engine coolant temperature sensor and thermometer |
| E10 | 2 | Light gray | | | Crank shaft position sensor |
| E11 | 1 | ★ | | | Oil pressure switch |
| E13 | 3 | Black | | | Throttle position sensor |
| E14 | 2 | Gray | | | Knock sensor |
| E15 | 2 | Light gray | | | Camshaft position sensor |
| E16 | 2 | Dark gray | | | Fuel injector No.2 |
| E17 | 2 | Dark gray | | | Fuel injector No.4 |
| E19 | 1 | ★ | | | Power steering oil pressure switch |
| E21 | 3 | Black | | | Pressure sensor |
| E31 | 3 | ★ | | | Ignition coil No.1 |
| E32 | 3 | ★ | | | Ignition coil No.2 |
| E33 | 3 | Black | | | Ignition coil No.3 |
| E34 | 3 | Black | | | Ignition coil No.4 |
| E50 | 3 | Black | | | TGV angle sensor LH |
| E51 | 2 | Black | | | TGV LH |
| E54 | 3 | Black | | | TGV angle sensor RH |
| E55 | 2 | Black | | | TGV RH |

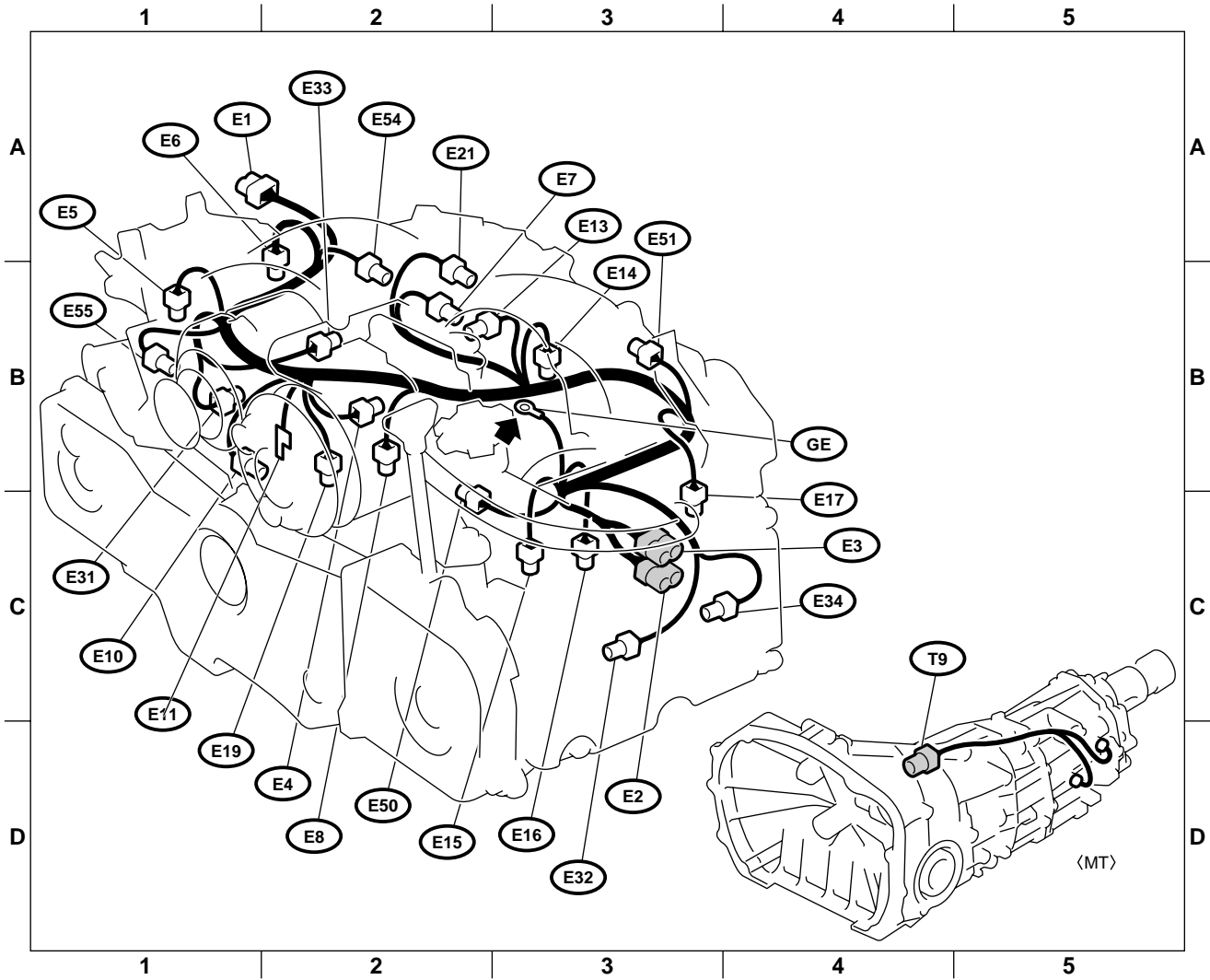
★:Non-colored

| Connector | | | | Connecting to | |
|-----------|------|-------|------|---------------|-------------------------|
| No. | Pole | Color | Area | No. | Name |
| T9 | 4 | ★ | | B128 | Bulkhead wiring harness |

★:Non-colored

ENGINE WIRING HARNESS AND TRANSMISSION CORD

WIRING SYSTEM



BO0225

INSTRUMENT PANEL WIRING HARNESS

WIRING SYSTEM

49. Instrument Panel Wiring Harness

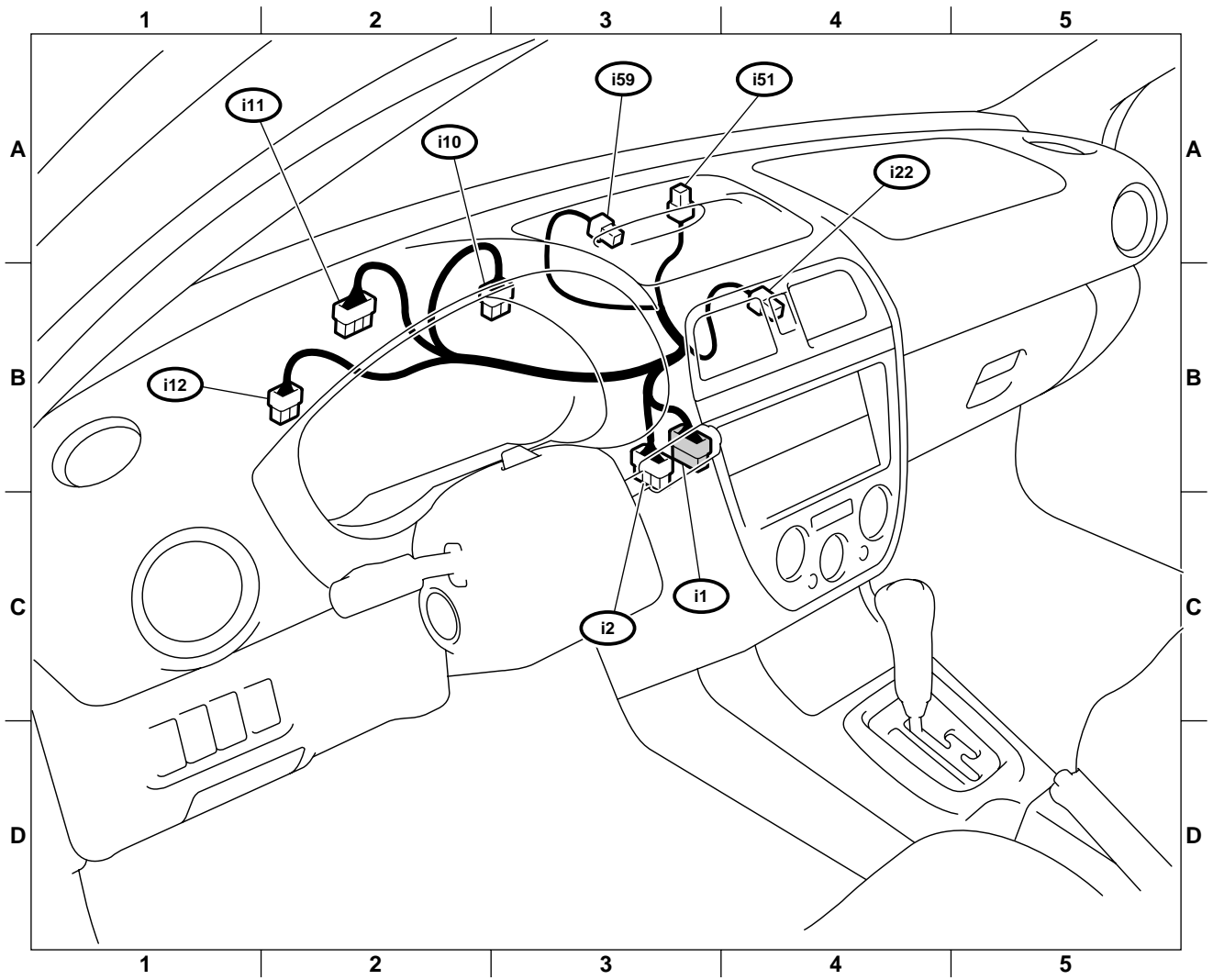
A: LOCATION

1. LHD MODEL

| Connector | | | | Connecting to | |
|-----------|------|-------|------|---------------|-------------------------|
| No. | Pole | Color | Area | No. | Name |
| i1 | 24 | Black | | B36 | Bulkhead wiring harness |
| i2 | 24 | ★ | | B37 | |
| i10 | 10 | Green | | | Combination meter |
| i11 | 30 | Green | | | |
| i12 | 14 | Green | | | |
| i22 | 8 | ★ | | | Hazard switch |
| i51 | 2 | ★ | | | Sunload sensor |
| i59 | 4 | ★ | | | Clock |

INSTRUMENT PANEL WIRING HARNESS

WIRING SYSTEM



BO0226

INSTRUMENT PANEL WIRING HARNESS

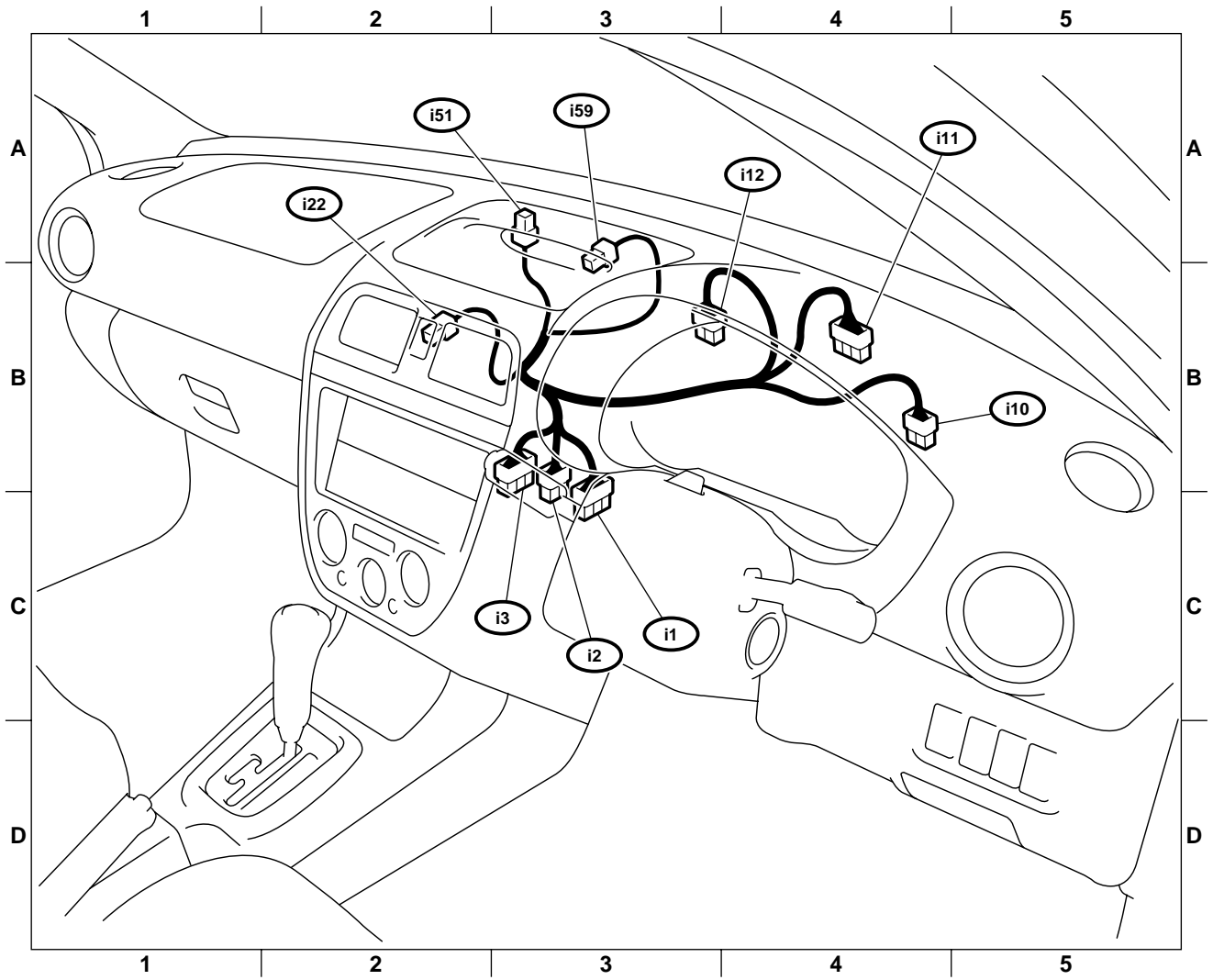
WIRING SYSTEM

2. RHD MODEL

| Connector | | | | Connecting to | |
|-----------|------|-------|------|---------------|-------------------------|
| No. | Pole | Color | Area | No. | Name |
| i1 | 14 | Black | | B36 | Bulkhead wiring harness |
| i2 | 32 | ★ | | B37 | |
| i3 | 22 | Black | | B38 | |
| i10 | 10 | Green | | | Combination meter |
| i11 | 30 | Green | | | |
| i12 | 14 | Green | | | |
| i22 | 8 | ★ | | | Hazard switch |
| i51 | 2 | ★ | | | Sunload sensor |
| i59 | 4 | ★ | | | Clock |

INSTRUMENT PANEL WIRING HARNESS

WIRING SYSTEM



BO0227

REAR WIRING HARNESS, BULKHEAD WIRING HARNESS, ROOF CORD AND FUEL TANK CORD

WIRING SYSTEM

50.Rear Wiring Harness, Bulkhead wiring Harness, Roof Cord and Fuel Tank Cord

A: LOCATION

1. LHD MODEL

| Connector | | | | Connecting to | |
|-----------|------|-------|------|---------------|-------------------------|
| No. | Pole | Color | Area | No. | Name |
| R1 | 8 | ★ | | B97 | Bulkhead wiring harness |
| R3 | 24 | ★ | | B99 | Bulkhead wiring harness |
| R4 | 1 | ★ | | | Parking brake switch |
| R8 | 2 | ★ | | | Seat belt switch |
| R15 | 6 | Black | | R57 | Fuel tank cord |
| R22 | 3 | ★ | | | Rear door switch LH |
| R72 | 2 | ★ | | | Rear ABS sensor RH |
| R73 | 2 | ★ | | | Rear ABS sensor LH |

★: Non-colored

| Connector | | | | Connecting to | |
|-----------|------|-------|------|---------------|----------------------|
| No. | Pole | Color | Area | No. | Name |
| B97 | 8 | ★ | | R1 | Rear wiring harness |
| B99 | 24 | ★ | | R3 | Rear wiring harness |
| B265 | 4 | ★ | | D27 | Rear door cord RH |
| B266 | 3 | ★ | | D28 | Rear door cord RH |
| R267 | 3 | ★ | | | Front door switch LH |
| R268 | 3 | ★ | | | Front door switch RH |
| B269 | 4 | ★ | | D21 | Rear door cord LH |
| B270 | 3 | ★ | | D22 | Rear door cord LH |

★: Non-colored

| Connector | | | | Connecting to | |
|-----------|------|-------|------|---------------|-------------------------|
| No. | Pole | Color | Area | No. | Name |
| R50 | 4 | ★ | | B90 | Bulkhead wiring harness |
| B52 | 3 | ★ | | | Room light |
| B55 | 1 | Gray | | | Sunroof |
| R56 | 2 | ★ | | | Spot light |

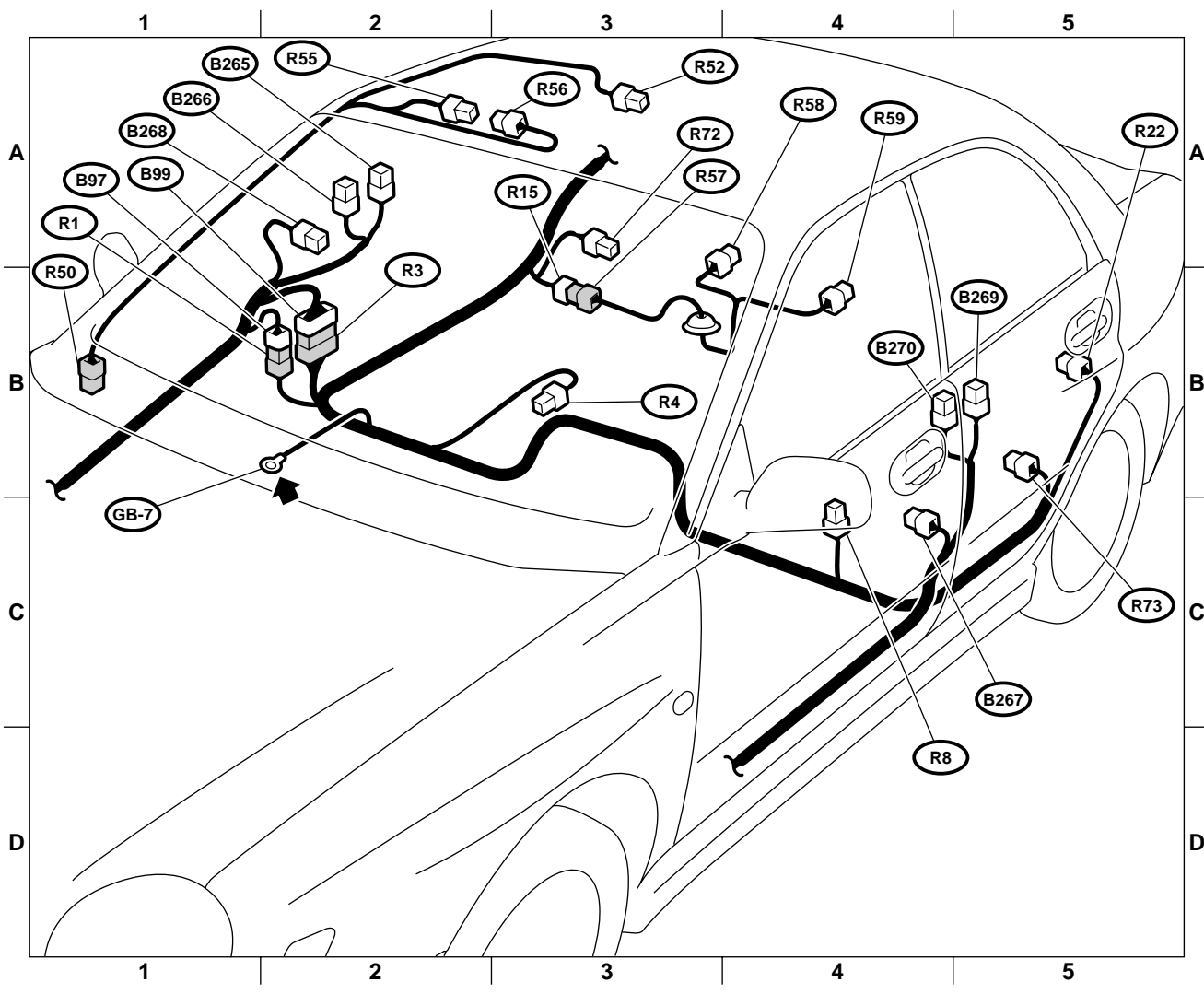
★: Non-colored

| Connector | | | | Connecting to | |
|-----------|------|-------|------|---------------|-----------------------|
| No. | Pole | Color | Area | No. | Name |
| R57 | 6 | Black | | R15 | Rear wiring harness |
| R58 | 6 | ★ | | | Fuel pump assembly |
| R59 | 2 | ★ | | | Fuel sub level sensor |

★: Non-colored

REAR WIRING HARNESS, BULKHEAD WIRING HARNESS, ROOF CORD AND FUEL TANK CORD

WIRING SYSTEM



BO0228

REAR WIRING HARNESS, BULKHEAD WIRING HARNESS, ROOF CORD AND FUEL TANK CORD

WIRING SYSTEM

2. RHD MODEL

| Connector | | | | Connecting to | |
|-----------|------|-------|------|---------------|-------------------------|
| No. | Pole | Color | Area | No. | Name |
| R1 | 8 | ★ | | B97 | Bulkhead wiring harness |
| R3 | 22 | ★ | | B99 | Bulkhead wiring harness |
| R4 | 1 | ★ | | | Parking brake switch |
| R8 | 2 | ★ | | | Seat belt switch |
| R15 | 6 | Black | | R57 | Fuel tank cord |
| R22 | 3 | ★ | | | Rear door switch LH |
| R72 | 2 | ★ | | | Rear ABS sensor RH |
| R73 | 2 | ★ | | | Rear ABS sensor LH |

★: Non-colored

| Connector | | | | Connecting to | |
|-----------|------|-------|------|---------------|----------------------|
| No. | Pole | Color | Area | No. | Name |
| B97 | 8 | ★ | | R1 | Rear wiring harness |
| B99 | 22 | ★ | | R3 | Rear wiring harness |
| B265 | 4 | ★ | | D27 | Rear door cord RH |
| B266 | 3 | ★ | | D28 | Rear door cord RH |
| R267 | 3 | ★ | | | Front door switch RH |
| R268 | 3 | ★ | | | Front door switch LH |
| B269 | 4 | ★ | | D21 | Rear door cord LH |
| B270 | 3 | ★ | | D22 | Rear door cord LH |

★: Non-colored

| Connector | | | | Connecting to | |
|-----------|------|-------|------|---------------|-------------------------|
| No. | Pole | Color | Area | No. | Name |
| R50 | 4 | ★ | | B90 | Bulkhead wiring harness |
| B52 | 3 | ★ | | | Room light |
| B55 | 1 | Gray | | | Sunroof |
| R56 | 2 | ★ | | | Spot light |

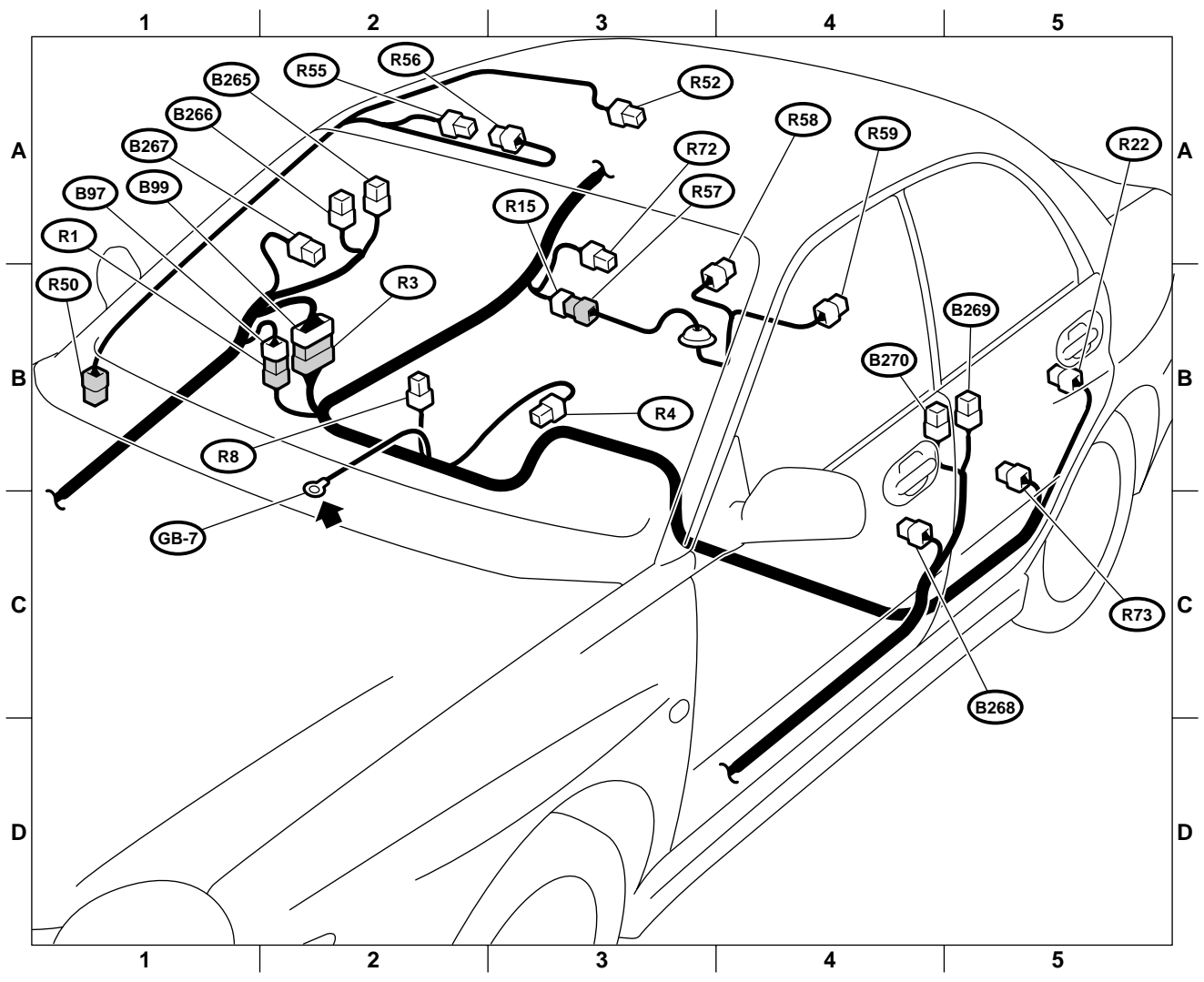
★: Non-colored

| Connector | | | | Connecting to | |
|-----------|------|-------|------|---------------|-----------------------|
| No. | Pole | Color | Area | No. | Name |
| R57 | 6 | Black | | R15 | Rear wiring harness |
| R58 | 6 | ★ | | | Fuel pump assembly |
| R59 | 2 | ★ | | | Fuel sub level sensor |

★: Non-colored

REAR WIRING HARNESS, BULKHEAD WIRING HARNESS, ROOF CORD AND FUEL TANK CORD

WIRING SYSTEM



BO0229

DOOR CORD

WIRING SYSTEM

51. Door Cord

A: LOCATION

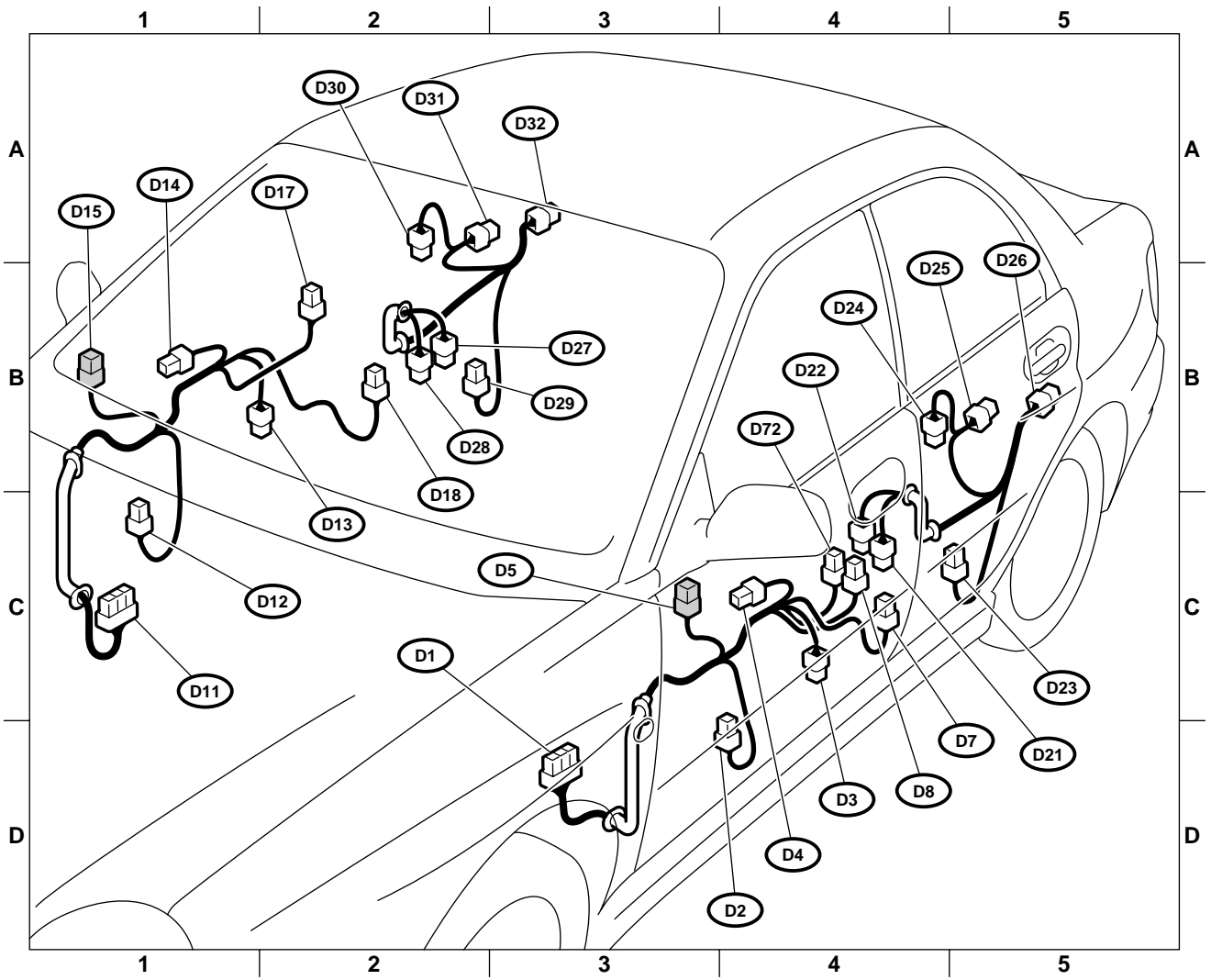
1. LHD MODEL

| Connector | | | | Connecting to | |
|-----------|------|-------|------|---------------|---|
| No. | Pole | Color | Area | No. | Name |
| D1 | 25 | ★ | C-2 | B30 | Bulkhead wiring harness |
| D2 | 2 | ★ | C-3 | | Front door speaker Driver side |
| D3 | 2 | Black | C-3 | | Front power window motor Driver side |
| D4 | 2 | Black | C-3 | | Front door tweeter Driver side |
| D5 | 6 | ★ | C-3 | | Remote control rearview mirror Driver side |
| | 8 | Black | | | Remote control rearview mirror Driver side |
| D7 | 16 | ★ | C-4 | | Power window main switch |
| D8 | 2 | Gray | C-4 | | Front door lock actuator LH |
| D10 | 2 | ★ | C-3 | | Step light LH |
| D11 | 25 | ★ | C-1 | B101 | Bulkhead wiring harness |
| D12 | 2 | ★ | C-1 | | Front door speaker RH |
| D13 | 2 | Green | B-2 | | Front power window motor RH |
| D14 | 2 | ★ | B-1 | | Front door tweeter RH |
| D15 | 6 | ★ | B-1 | | Remote control rearview mirror RH (Without mirror heater) |
| | 8 | Black | | | Remote control rearview mirror RH (With mirror heater) |
| D17 | 6 | ★ | B-2 | | Front power window sub switch RH |
| D18 | 4 | ★ | B-2 | | Front door lock actuator RH |
| D20 | 2 | ★ | B-2 | | Step light RH |
| D21 | 8 | ★ | C-4 | B269 | Rear wiring harness |
| D22 | 3 | | C-4 | B270 | Bulkhead wiring harness |
| D23 | 2 | ★ | C-4 | | Rear door speaker LH |
| D24 | 2 | Black | B-4 | | Rear power window motor LH |
| D25 | 6 | ★ | B-4 | | Rear power window sub switch LH |
| D26 | 4 | ★ | B-4 | | Rear door lock actuator LH |
| D27 | 4 | ★ | B-2 | B265 | Bulkhead wiring harness |
| D28 | 3 | | | B266 | Bulkhead wiring harness |
| D29 | 2 | Black | B-2 | | Rear door speaker RH |
| D30 | 2 | Black | A-2 | | Rear power window motor RH |
| D31 | 6 | ★ | A-2 | | Rear power window sub switch RH |
| D32 | 4 | ★ | A-3 | | Rear door lock actuator RH |
| D61 | 10 | ★ | C-3 | | Remote control rearview mirror switch |
| D62 | 6 | Brown | B-2 | | Front door lock switch RH |
| D68 | 2 | ★ | C-3 | R99 | Rear wiring harness |
| D69 | 2 | ★ | C-3 | R101 | Rear wiring harness |
| D72 | 4 | ★ | C-3 | | Front door lock actuator LH |

★: Non-colored

DOOR CORD

WIRING SYSTEM



BO0230

DOOR CORD

WIRING SYSTEM

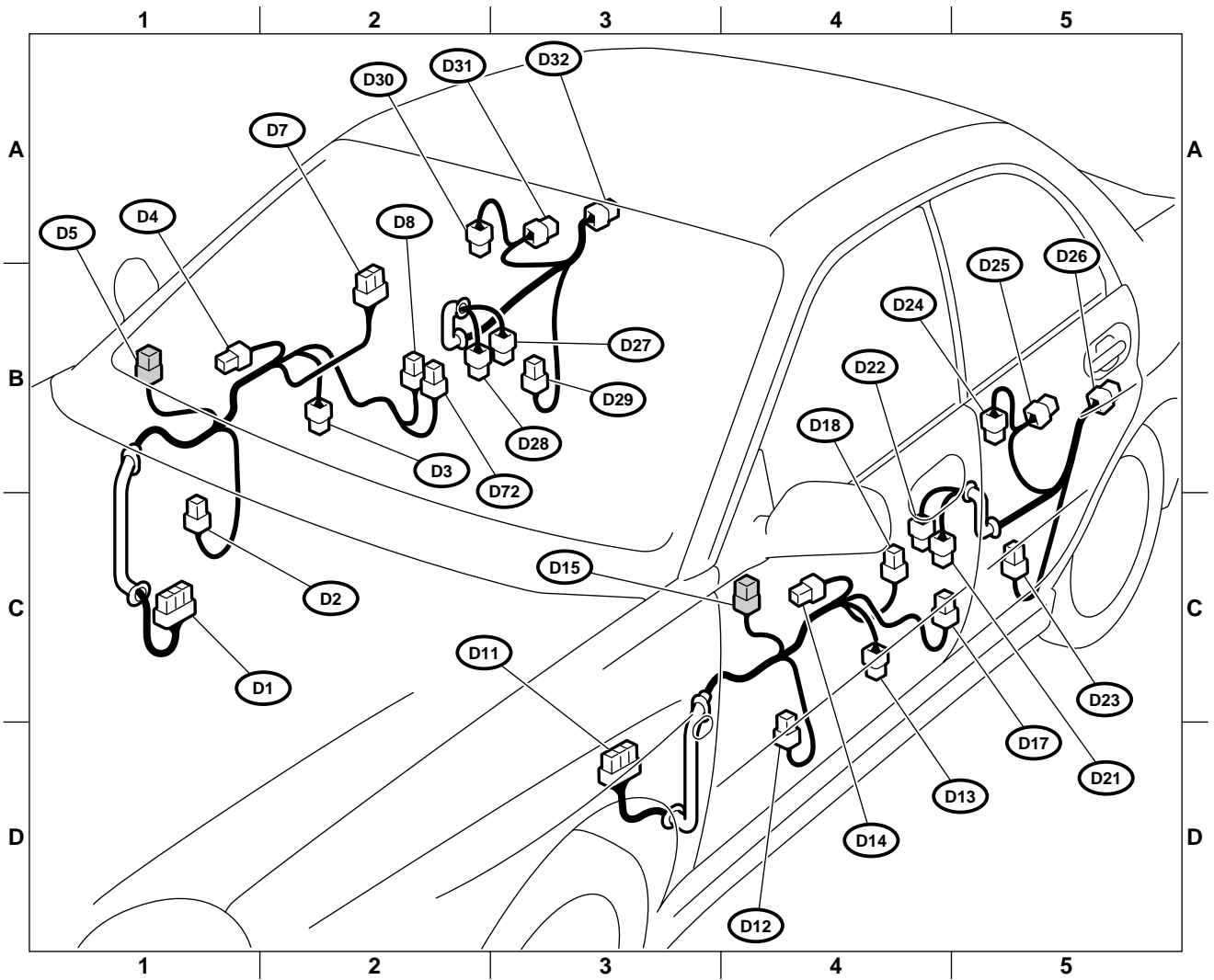
2. RHD MODEL

| Connector | | | | Connecting to | |
|-----------|------|-------|------|---------------|---|
| No. | Pole | Color | Area | No. | Name |
| D1 | 25 | ★ | C-1 | B30 | Bulkhead wiring harness |
| D2 | 2 | ★ | C-1 | | Front door speaker Driver side |
| D3 | 2 | Black | B-2 | | Front power window motor Driver side |
| D4 | 2 | ★ | B-1 | | Front door tweeter Driver side |
| D5 | 6 | ★ | B-1 | | Remote control rearview mirror Driver side |
| | 8 | Black | B-1 | | Remote control rearview mirror Driver side |
| D7 | 16 | ★ | B-2 | | Power window main switch |
| D8 | 2 | Gray | B-2 | | Front door lock actuator RH |
| D10 | 2 | ★ | C-3 | | Step light LH |
| D11 | 25 | ★ | D-3 | B101 | Bulkhead wiring harness |
| D12 | 2 | ★ | D-3 | | Front door speaker LH |
| D13 | 2 | Green | C-3 | | Front power window motor LH |
| D14 | 2 | ★ | C-3 | | Front door tweeter LH |
| D15 | 6 | ★ | C-3 | | Remote control rearview mirror LH (Without mirror heater) |
| | 8 | Black | C-3 | | Remote control rearview mirror LH (With mirror heater) |
| D17 | 8 | ★ | C-4 | | Front power window sub switch LH |
| D18 | 4 | ★ | C-3 | | Front door lock actuator LH |
| D20 | 2 | ★ | B-2 | | Step light RH |
| D21 | 4 | ★ | C-4 | B269 | Bulkhead wiring harness |
| D22 | 3 | | B-3 | B270 | Bulkhead wiring harness |
| D23 | 2 | ★ | C-4 | | Rear door speaker LH |
| D24 | 2 | Black | B-4 | | Rear power window motor LH |
| D25 | 8 | ★ | B-4 | | Rear power window sub switch LH |
| D26 | 4 | ★ | B-4 | | Rear door lock actuator LH |
| D27 | 4 | ★ | B-2 | B265 | Bulkhead wiring harness |
| D28 | 3 | | B-2 | B266 | Bulkhead wiring harness |
| D29 | 2 | Black | B-2 | | Rear door speaker RH |
| D30 | 2 | Black | A-2 | | Rear power window motor RH |
| D31 | 8 | ★ | A-2 | | Rear power window sub switch RH |
| D32 | 4 | ★ | A-3 | | Rear door lock actuator RH |
| D61 | 10 | ★ | C-3 | | Remote control rearview mirror switch |
| D62 | 6 | Brown | B-2 | | Front door lock switch RH |
| D68 | 2 | ★ | C-3 | R99 | Rear wiring harness |
| D69 | 2 | ★ | C-2 | R101 | Rear wiring harness |
| D72 | 4 | ★ | B-2 | | Front door lock actuator LH |

★: Non-colored

DOOR CORD

WIRING SYSTEM



BO0231

REAR WIRING HARNESS AND TRUNK LID CORD

WIRING SYSTEM

52.Rear Wiring Harness and Trunk Lid Cord

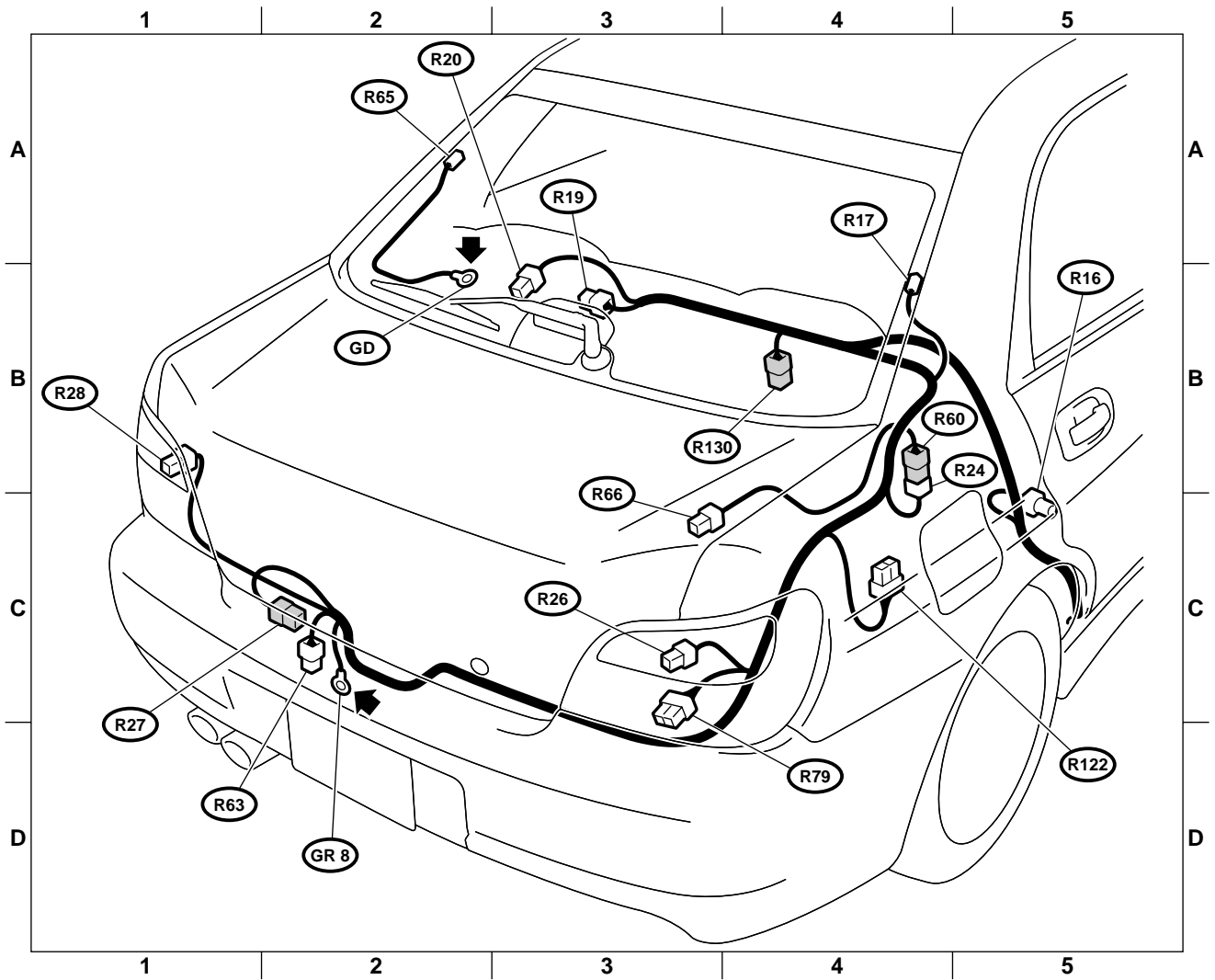
A: LOCATION

| Connector | | | | Connecting to | |
|-----------|------|-------|------|---------------|---|
| No. | Pole | Color | Area | No. | Name |
| R16 | 3 | ★ | C-3 | | Rear door switch RH |
| R17 | 1 | Black | B-4 | | Rear defogger (Power) (Without choke coil model) |
| R19 | 2 | ★ | B-2 | | High-mounted stop light |
| R20 | 2 | Black | B-2 | | Trunk room light |
| R24 | 2 | ★ | C-4 | R60 | Trunk lid cord |
| R26 | 6 | ★ | C-3 | | Rear combination light RH |
| R27 | 2 | ★ | C-1 | | Trunk room light switch |
| R28 | 6 | ★ | B-1 | | Rear combination light LH |
| R60 | 2 | ★ | B-4 | R24 | Rear wiring harness |
| R63 | 2 | ★ | C-1 | | License plate light |
| R65 | 1 | Black | A-2 | | Rear defogger (Ground) (Without choke coil model) |
| R66 | 2 | ★ | C-3 | | High-mounted stop light (Rear spoiler) |
| R79 | 10 | ★ | C-3 | | Trailer connector |
| R122 | 10 | ★ | C-4 | | Fuel pump control (Turbo Model) |
| R130 | 2 | ★ | B-3 | | Rear defogger (With choke coil model) |

★: Non-colored

REAR WIRING HARNESS AND TRUNK LID CORD

WIRING SYSTEM



BO0232

REAR WIRING HARNESS AND REAR GATE CORD

WIRING SYSTEM

53.Rear Wiring Harness and Rear Gate Cord

A: LOCATION

| Connector | | | | Connecting to | |
|-----------|------|-------|------|---------------|---------------------------------|
| No. | Pole | Color | Area | No. | Name |
| R16 | 3 | | C-4 | | Rear door switch RH |
| R26 | 6 | | C-3 | | Rear combination light RH |
| R28 | 4 | | C-1 | | Rear combination light LH |
| R30 | 2 | ★ | C-4 | | Diode |
| R38 | 8 | ★ | C-3 | D34 | Rear gate cord |
| R39 | 4 | | D-4 | D35 | |
| R63 | 2 | ★ | C-2 | | License plate light |
| R79 | 10 | ★ | D-3 | | Trailer connector |
| R97 | 2 | ★ | C-1 | | Antenna amp. |
| R116 | 8 | ★ | C-3 | | Rear wiper intermittent module |
| R122 | 10 | ★ | C-4 | | Fuel pump control (Turbo Model) |
| R141 | 2 | ★ | C-3 | | License plate light |

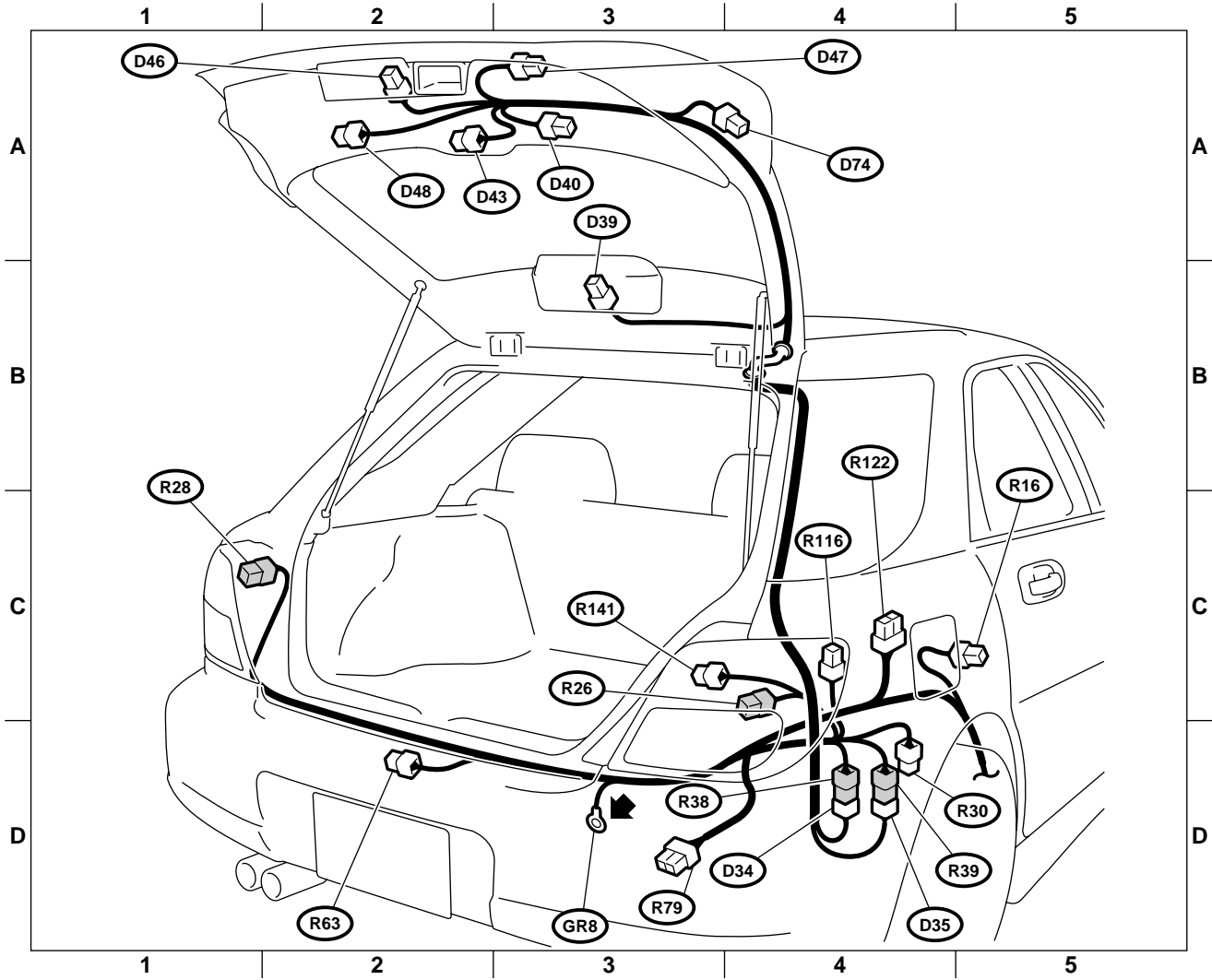
★: Non-colored

| Connector | | | | Connecting to | |
|-----------|------|-------|------|---------------|------------------------------|
| No. | Pole | Color | Area | No. | Name |
| D34 | 8 | ★ | C-3 | R38 | Rear wiring harness |
| D35 | 4 | Black | D-4 | R39 | |
| D39 | 2 | ★ | B-3 | | High-mounted stop light |
| D40 | 1 | Black | A-2 | | Rear defogger (Power) |
| D43 | 4 | ★ | A-2 | | Rear wiper motor |
| D46 | 2 | Black | A-2 | | Rear gate latch switch |
| D47 | 4 | ★ | A-2 | | Rear gate lock actuator cord |
| D48 | 1 | Black | A-2 | | Rear defogger (Ground) |
| D74 | 2 | ★ | A-3 | | Rear defogger choke coil |

★: Non-colored

REAR WIRING HARNESS AND REAR GATE CORD

WIRING SYSTEM



BO0233

REAR WIRING HARNESS AND REAR GATE CORD

WIRING SYSTEM
